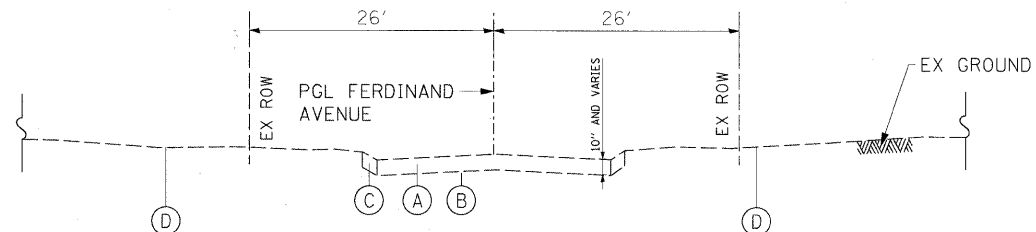


**PROPOSED FERDINAND AVENUE**

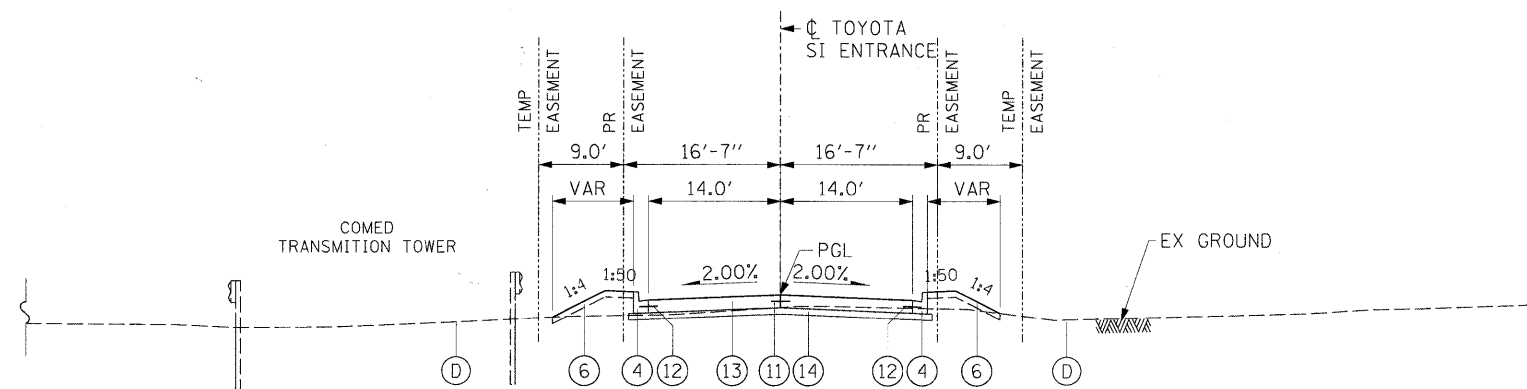
STA 58+65.00 TO STA 59+06.28  
 STA 59+06.28 TO STA 59+23.74  
 STA 59+23.74 TO STA 59+76.00

\*\*\*RW SN 016-7725 FROM STA 58+65.00 TO STA 59+62.97  
 \*\*\*RW SN 016-7726 FROM STA 58+65.00 TO STA 59+65.00



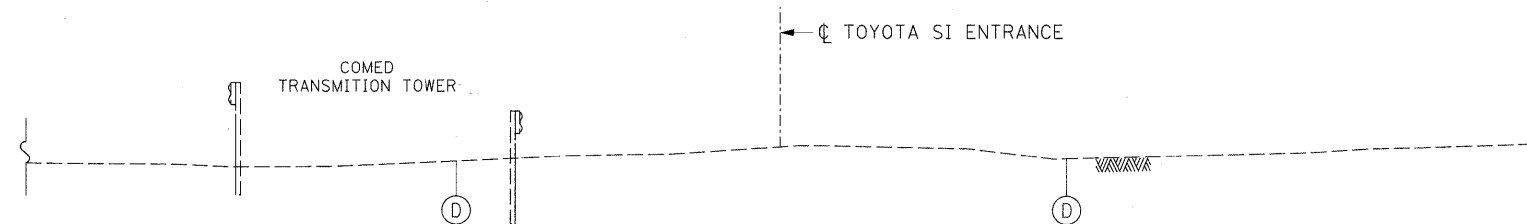
**EXISTING FERDINAND AVENUE**

STA 58+65.00 TO STA 59+06.28  
 STA 59+06.28 TO STA 59+23.74  
 STA 59+23.74 TO STA 59+76.00



**PROPOSED TOYOTA SI ENTRANCE**

STA 50+24.00 (71ST ST EOP) TO STA 50+79.72  
 STA 50+79.72 TO STA 51+00.00  
 STA 51+00.00 TO STA 54+01.98



**EXISTING TOYOTA SI ENTRANCE**

STA 50+24.00 (71ST ST EOP) TO STA 54+01.98

**PROPOSED LEGEND:**

- ① PORTLAND CEMENT CONCRETE PAVEMENT 10" (JOINTED) - (15' JOINT SPACING)
- ② STABILIZED SUBBASE - HOT-MIX ASPHALT, 4 1/2"
- ③ AGGREGATE SUBGRADE 12"
- ④ COMBINATION CURB AND GUTTER TYPE B-6.12
- ⑤ PORTLAND CEMENT CONCRETE SIDEWALK 5 INCH
- ⑥ TOPSOIL AND SODDING (SEE LANDSCAPING PLANS)
- ⑦ RETAINING WALL - SN 016-7722 OR SN 016-7724
- ⑧ RETAINING WALL - SN 016-7721 OR SN 016-7725 OR SN 016-7726
- ⑨ BITUMINOUS MATERIALS (PRIME COAT)
- ⑩ AGGREGATE (PRIME COAT)
- ⑪ #6 TIE BARS, 30" LONG AT 30" C-C (IF LONGITUDINAL SAWED JOINT) / #6 TIE BARS, 24" LONG AT 24" C-C (IF LONGITUDINAL CONSTRUCTION JOINT) (INCLUDED IN PRICE FOR BID FOR VARIOUS PCC ITEMS)
- ⑫ #6 TIE BARS, 24" LONG AT 24" C-C (INCLUDED IN PRICE FOR BID FOR VARIOUS PCC ITEMS)
- ⑬ PORTLAND CEMENT CONCRETE PAVEMENT 8"
- ⑭ AGGREGATE BASE COURSE, TYPE B 4"

**EXISTING LEGEND:**

- Ⓐ EXISTING PAVEMENT (+/-10" CONCRETE - 71ST STREET; HMA FERDINAND)
- Ⓑ GRAVEL OR CRUSHED STONE BASE
- Ⓒ COMBINATION CURB & GUTTER
- Ⓓ EXISTING GROUND LINE

FILE NAME = P:\A0155877\0000\_CAD\001\_Drawing\Sheet\Civil\88165877-ht-Typsect-23.dgn



USER NAME = manuj	DESIGNED - NJH	REVISED - 4/14/11 ADDENDUM 1
PLOT SCALE = 10.000' / 1"	DRAWN - JWM	REVISED -
PLOT DATE = 4/12/2011	CHECKED - TJW	REVISED -
DATE - March 17, 2011	REVISED -	

**STATE OF ILLINOIS  
 DEPARTMENT OF TRANSPORTATION**

**TYPICAL SECTIONS**

SCALE: 1"=10' SHEET NO. 3 OF 3 SHEETS STA. 17+08.73 TO STA. 19+76.00

F.A.U. RTE.	SECTION	COUNTY	TOTAL SHEETS	SHEET NO.
1537	06-00050-00-GS	COOK	209	13
FED. ROAD DIST. NO. 1 ILLINOIS FED. AID PROJECT CRE-90031709			CONTRACT NO. 63556	