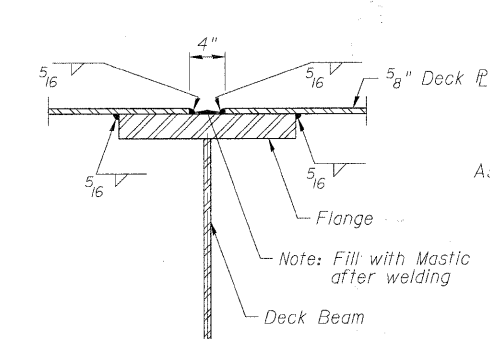
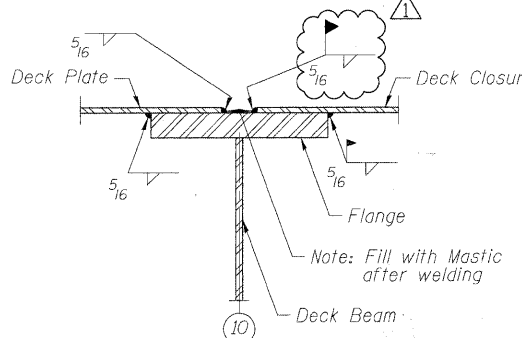


FLOOR PLATE PLAN

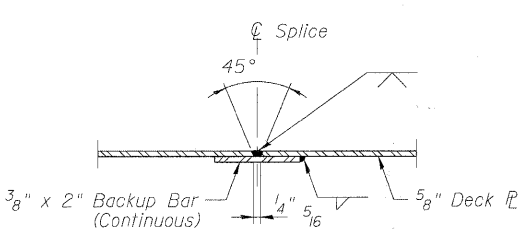
Notes:
 A. Plate Splice locations are suggested. Contractor may respace joints. Submit plan to Engineer for approval prior to fabrication.
 B. Suggested Splice. Contractor may propose alternate Splice method for Approval.



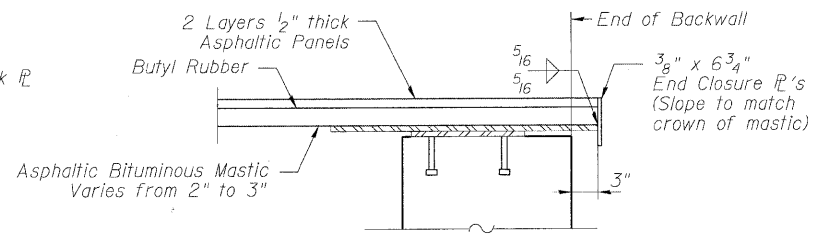
SECTION A-A
For Splice over Beam Flange. (Typ.)



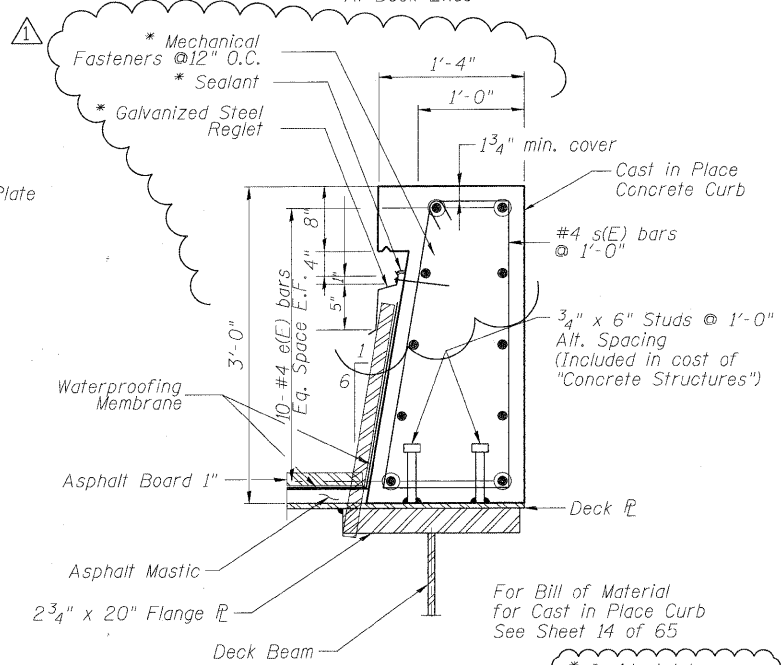
SECTION F-F
At Stage Line



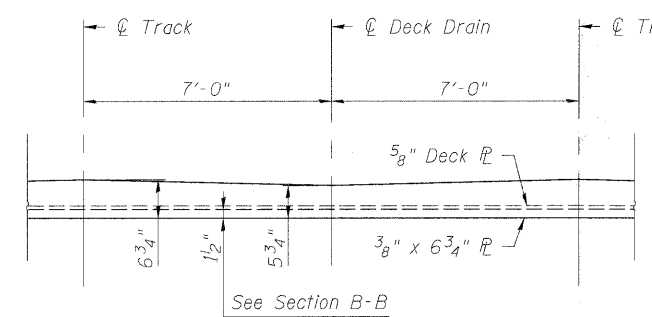
SECTION E-E
For Longitudinal Splice Between Beams



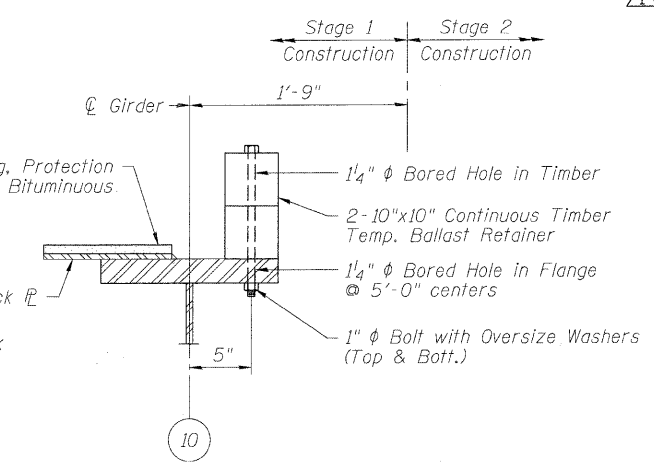
SECTION B-B
At Deck Ends



SECTION D-D
(Curb Waterproofing)



SECTION AT END CLOSURE PLATE
(TYP. EACH TRACK)



TEMP. BALLAST RETAINER
(STAGE CONSTRUCTION)

1. Provide Splice for Stage 2 Waterproofing.
 2. Weld Closure Deck Plate per Section A-A in Stage 2.

FILE NAME = P:\60155877\002_CAD\021_Drawing\Sheet\Structure\016-7721\001_sht12_Deck.dgn

AECOM	USER NAME = floresg	DESIGNED - BMR	REVISED - 4/14/11 ADDENDUM	STATE OF ILLINOIS DEPARTMENT OF TRANSPORTATION	DECK LAYOUT AND DETAILS STRUCTURE NO. 016-7721	F.A.U. RTE. 1537	SECTION 06-00050-00-GS	COUNTY COOK	TOTAL SHEETS 209	SHEET NO. 106
	PLOT SCALE = 8: 1/ 316	DRAWN - COM	REVISED -			SCALE: NONE	SHEET NO. 12 OF 65 SHEETS	STA. TO STA.	CONTRACT NO. 63556	
	PLOT DATE = 4/12/2011	CHECKED - DD	REVISED -			FED. ROAD DIST. NO. 1 ILLINOIS FED. AID PROJECT CRE-900317091				
		DATE - 11/23/2010	REVISED -							