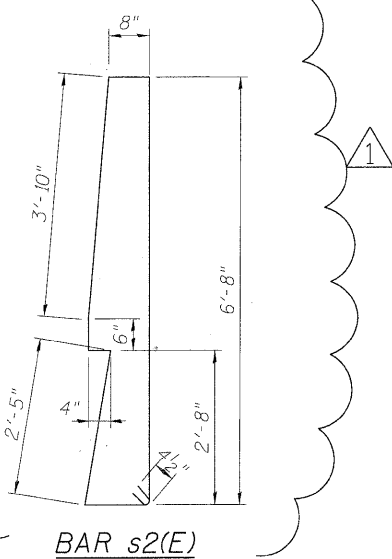
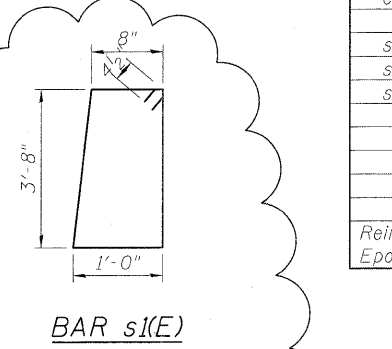
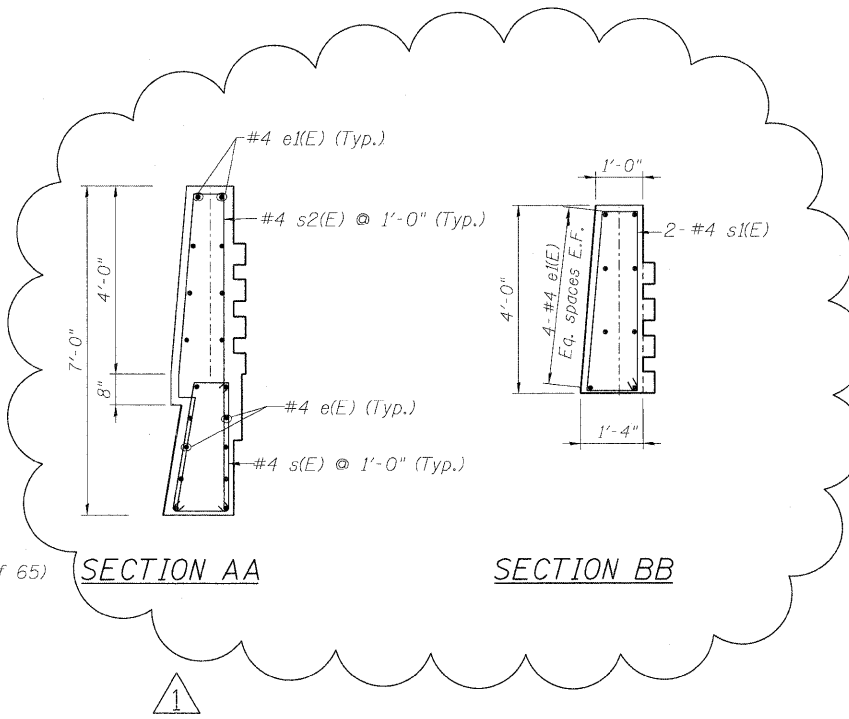
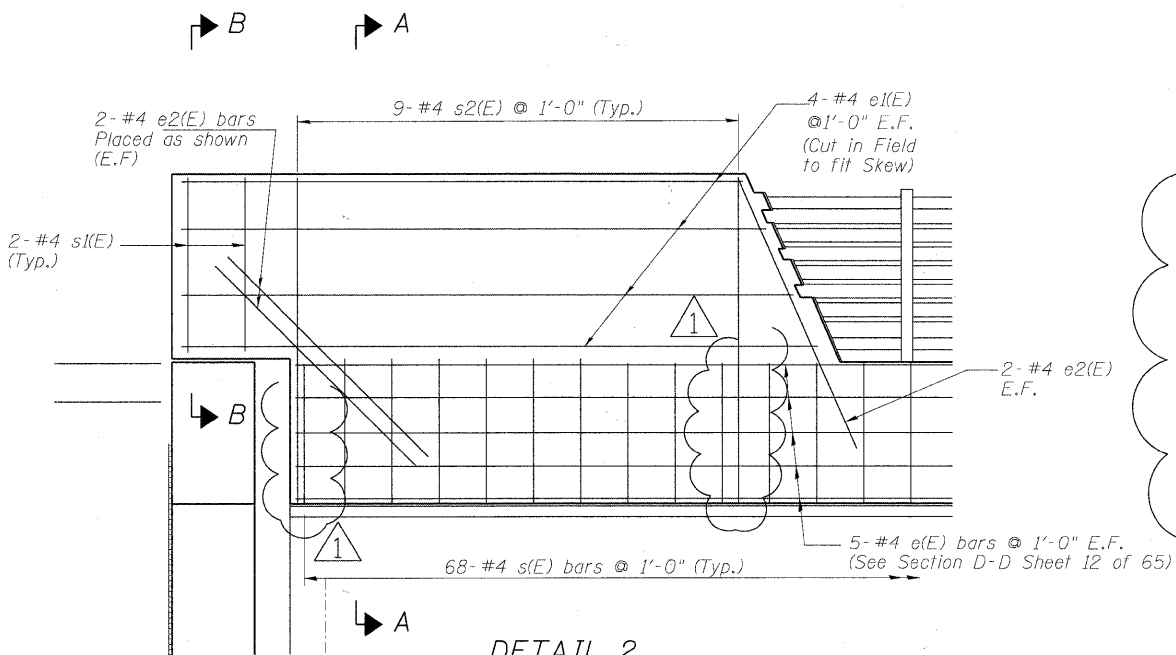


BILL OF MATERIAL

Bar	No.	Size	Length	Shape	
e(E)	142	#4	25'-3"	—	
e1(E)	36	#4	13'-11"	—	
e2(E)	24	#4	6'-0"	—	
s(E)	136	#4	8'-0"	□	
s1(E)	8	#4	9'-5"	□	
s2(E)	36	#4	14'-8"	□	
Reinforcement Bars, Epoxy Coated				Pound	3957



FILE NAME = P:\6015977\000\_CAD\021\_Drawing\Sheets\Structural\016-7721\_IDOT\_sht14\_Railing.dgn



USER NAME = marnj	DESIGNED - DD	REVISED - 4/14/11 ADDENDUM
PLOT SCALE = 0.1/0.000 1' / in.	DRAWN - DD	REVISED -
PLOT DATE = 4/13/2011	CHECKED - EJO	REVISED -
	DATE - 10/11/2010	REVISED -

STATE OF ILLINOIS  
DEPARTMENT OF TRANSPORTATION

RAILING LAYOUT AND DETAILS  
STRUCTURE NO. 016-7721

SCALE: SHEET NO. 14 OF 65 SHEETS STA. TO STA.

F.A.U. RTE.	SECTION	COUNTY	TOTAL SHEETS	SHEET NO.
1537	06-00050-00-GS	COOK	209	107
CONTRACT NO. 63556			ILLINOIS FED. AID PROJECT	