

PROPOSED 71ST STREET

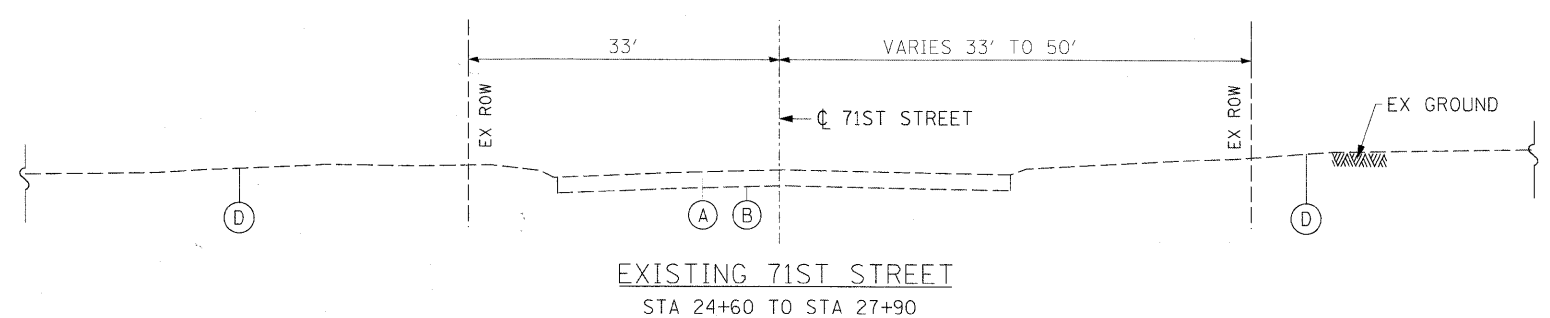
STA 24+60 TO STA 27+75
 STA 25+04 TO STA 26+00 (*SLOPE VARIES - SEE SE TABLES FOR TRANSITION)
 STA 27+75 TO STA 27+90 (*SLOPE VARIES - SEE SE TABLES FOR TRANSITION)
 ** RW SN 016-7725 FROM STA 23+73.90 TO STA 26+47.29 & RW SN 016-7726 FROM STA 27+30.63 TO STA 27+62.00
 *** RW SN 016-7724 FROM STA 23+73.90 TO STA 27+90.00

PROPOSED LEGEND:

- ① PORTLAND CEMENT CONCRETE PAVEMENT 10" (JOINTED) - (15' JOINT SPACING)
- ② STABILIZED SUBBASE - HOT-MIX ASPHALT, 4 1/2"
- ③ AGGREGATE SUBGRADE 12"
- ④ COMBINATION CURB AND GUTTER TYPE B-6.12
- ⑤ PORTLAND CEMENT CONCRETE SIDEWALK 5 INCH
- ⑥ TOPSOIL AND SODDING (SEE LANDSCAPING PLANS)
- ⑦ RETAINING WALL - SN 016-7722 OR SN 016-7724
- ⑧ RETAINING WALL - SN 016-7721 OR SN 016-7725 OR SN 016-7726
- ⑨ BITUMINOUS MATERIALS (PRIME COAT)
- ⑩ AGGREGATE (PRIME COAT)
- ⑪ #6 TIE BARS, 30" LONG AT 30" C-C (IF LONGITUDINAL SAWED JOINT) / #6 TIE BARS, 24" LONG AT 24" C-C (IF LONGITUDINAL CONSTRUCTION JOINT) (INCLUDED IN PRICE FOR BID FOR VARIOUS PCC ITEMS)
- ⑫ #6 TIE BARS, 24" LONG AT 24" C-C (INCLUDED IN PRICE FOR BID FOR VARIOUS PCC ITEMS)
- ⑬ PROPOSED LIGHTING UNIT

EXISTING LEGEND:

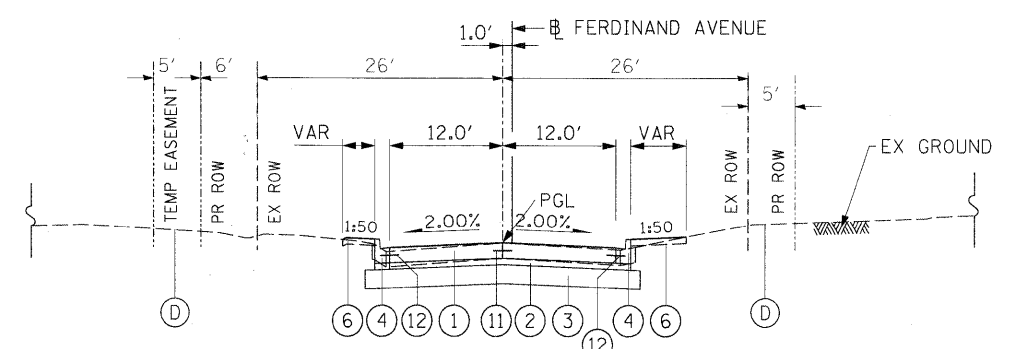
- Ⓐ EXISTING PAVEMENT (+10" CONCRETE - 71ST STREET; HMA FERDINAND)
- Ⓑ GRAVEL OR CRUSHED STONE BASE
- Ⓒ COMBINATION CURB & GUTTER
- Ⓓ EXISTING GROUND LINE



EXISTING 71ST STREET

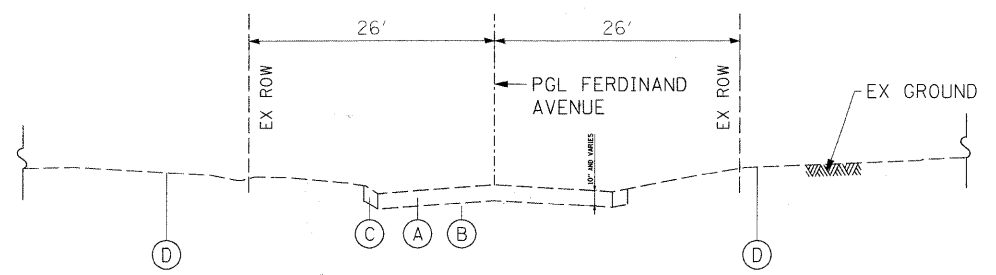
STA 24+60 TO STA 27+90

STRUCTURAL DESIGN TRAFFIC:		YEAR	2030
PV=	5,040	SU=	659
		MU=	237
ROAD/STREET CLASSIFICATION:		CLASS	I
PERCENT OF STRUCTURAL DESIGN TRAFFIC IN DESIGN LANE:			
P=	84.9%	S=	11.1%
		M=	4.0%
TRAFFIC FACTOR:		ACTUAL TF=	2.35
		AC TYPE=	20
		MINIMUM TF=	NA
PG GRADE:	BINDER=	NA	SURFACE=
		NA	
SUBGRADE SUPPORT RATING		SSR=	FAIR



PROPOSED FERDINAND AVENUE

STA 57+08.73 TO STA 58+65.00



EXISTING FERDINAND AVENUE

STA 57+08.73 TO STA 58+65.00

FILE NAME = F:\B0155877\002_CAD\001_Drawings\Sheets\Civil\60155877-akt-Typical-02.dgn



USER NAME = marinj	DESIGNED = NJH	REVISED =
PLOT SCALE = 10.000' / in.	DRAWN = JWM	REVISED =
PLOT DATE = 2/17/2011	CHECKED = TJW	REVISED =
	DATE = FEBRUARY 17, 2011	REVISED =

STATE OF ILLINOIS
DEPARTMENT OF TRANSPORTATION

TYPICAL SECTIONS

SCALE: 1"=10' SHEET NO. 2 OF 3 SHEETS STA. 17+08.73 TO STA. 19+76.00

F.A.U. RTE.	SECTION	COUNTY	TOTAL SHEETS	SHEET NO.
1537	06-00050-00-GS	COOK	209	12
CONTRACT NO. 63556				
FED. ROAD DIST. NO. 1 ILLINOIS FED. AID PROJECT CRE-9003(709)				