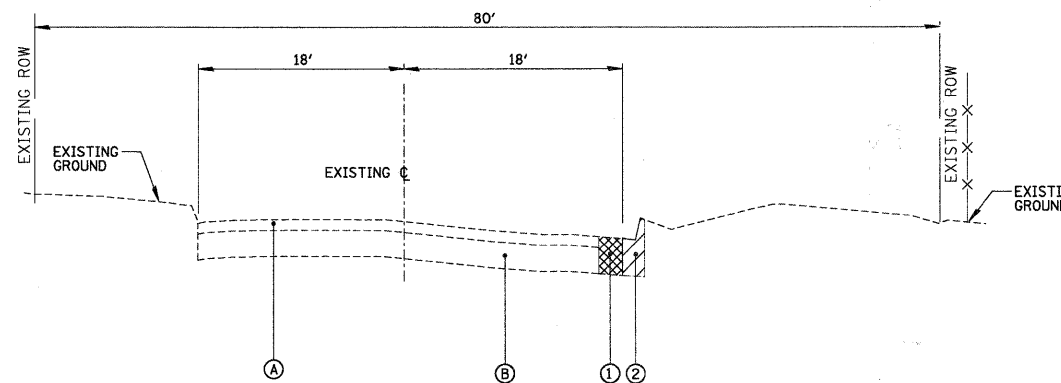


EXISTING TYPICAL SECTION - RHODES AVENUE

STA. 10+16.67 TO STA. 18+48.70

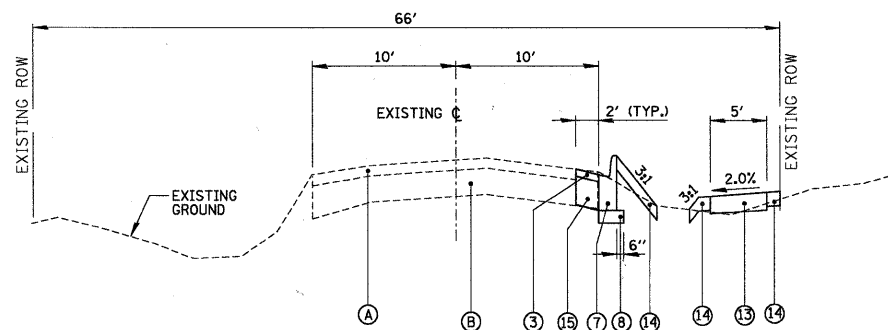


EXISTING TYPICAL SECTION - DIVERSEY AVENUE

STA. 30+00 TO STA. 33+24.18

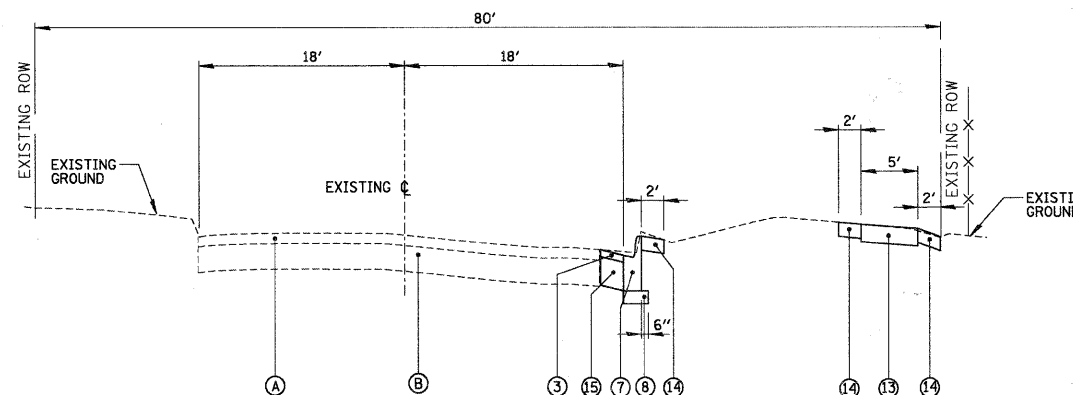
LEGEND

- (A) EXISTING ASPHALT PAVEMENT (+/- 3")
- (B) EXISTING AGGREGATE BASE (+/- 10")
- (C) EXISTING COMBINATION CURB AND GUTTER; TYPE B-6.12
- (1) PAVEMENT REMOVAL
- (2) COMBINATION CONCRETE CURB AND GUTTER REMOVAL (LIMITS AS SHOWN ON PLANS)
- (3) HOT-MIX ASPHALT SURFACE COURSE, MIX "C", N50 - 1 1/2"
- (4) BITUMINOUS MATERIALS (PRIME COAT)
- (5) HOT-MIX ASPHALT BINDER COURSE, IL-19.0, N50 - 3 1/2"
- (6) COMBINATION CONCRETE CURB AND GUTTER, TYPE B-4.12
- (7) COMBINATION CONCRETE CURB & GUTTER, TYPE B-6.12
- (8) SUBBASE GRANULAR MATERIAL, TYPE B
- (9) AGGREGATE BASE COURSE, TYPE B, 8"
- (10) AGGREGATE SHOULDER REMOVAL
- (11) COMBINATIN CONCRETE CURB AND GUTTER TYPE B-4.12 (DEPRESSED)
- (12) PAVEMENT REMOVAL OR AGGREGATE SHOULDER REMOVAL
- (13) PCC SIDEWALK 5 INCH
- (14) TOPSOIL, FURNISH AND PLACE, 4"
- (15) CONTROLLED LOW-STRENGTH MATERIAL, 10"



PROPOSED TYPICAL SECTION - RHODES AVENUE

STA. 10+16.67 TO STA. 18+48.70



PROPOSED TYPICAL SECTION - DIVERSEY AVENUE

STA. 30+00 TO STA. 33+24.18

HOT-MIX ASPHALT MIXTURE REQUIREMENTS

ITEM	AIR VOIDS
PAVEMENT RECONSTRUCTION	
HOT-MIX ASPHALT SURFACE COURSE, MIX "C", N50 (IL-9.5 MM) - 1/2"	4% @ 50 GYR
HOT-MIX ASPHALT BINDER COURSE, IL-19.0, N50 - 3/2"	4% @ 50 GYR
DRIVEWAYS	
HOT-MIX ASPHALT SURFACE COURSE, MIX "C", N50 (IL-9.5 MM) - 3" (IN 2 LIFTS)	4% @ 50 GYR
PAVEMENT REPLACEMENT	
HOT-MIX ASPHALT SURFACE COURSE, MIX "C", N50 (IL-9.5 MM) - 1/2"	4% @ 50 GYR
PATCHING	
CLASS "D" PATCHES (HMA BINDER, IL-19 MM)	4% @ 70 GYR

- NOTE:**
- THE UNIT WEIGHT USED TO CALCULATE ALL HOT-MIX ASPHALT SURFACE MIXTURE QUANTITIES IS 112 LBS/SY/IN.
 - THE "AC TYPE" FOR POLYMERIZED HMA MIXES SHALL BE "SBS/SBR PG 70-22" AND FOR NON-POLYMERIZED HMA THE "AC TYPE" SHALL BE "PG 64-22" UNLESS MODIFIED BY DISTRICT ONE SPECIAL PROVISIONS. FOR "PERCENT OF RAP" SEE DISTRICT ONE SPECIAL PROVISIONS.

FILE NAME =	USER NAME = EDT00A	DESIGNED - AMP	REVISED -	STATE OF ILLINOIS DEPARTMENT OF TRANSPORTATION	TYPICAL SECTIONS			F.A. RTE.	SECTION	COUNTY	TOTAL SHEETS	SHEET NO.	
N:\NORTH LAKE\94032DC107\Civil\typ2.dcl17.sht		DRAWN - EDT	REVISED -		SCALE: N.T.S.	SHEET NO.	OF	SHEETS	STA. 10+00.00 TO STA. 24+92.22	10-00074-00-SW	COOK	22	5
		CHECKED - MEW	REVISED -										
		DATE - 02/08/11	REVISED -										
								CONTRACT NO. 63559		ILLINOIS FED. AID PROJECT			