

EAST EDGE OF SHOULDER

Location	Station	Offset	Theoretical Grade Elevations
N. End S. Appr. Slab	307+40.67	-16.33	888.37
A3	307+50.67	-16.33	888.41
A4	307+60.67	-16.33	888.41
S. End S. Appr. Slab	307+70.67	-16.33	888.31

EAST EDGE OF PAVEMENT

Location	Station	Offset	Theoretical Grade Elevations
N. End S. Appr. Slab	307+40.67	-12.00	888.46
A3	307+50.67	-12.00	888.50
A4	307+60.67	-12.00	888.50
S. End S. Appr. Slab	307+70.67	-12.00	888.41

☉ ROADWAY & PROFILE GRADE

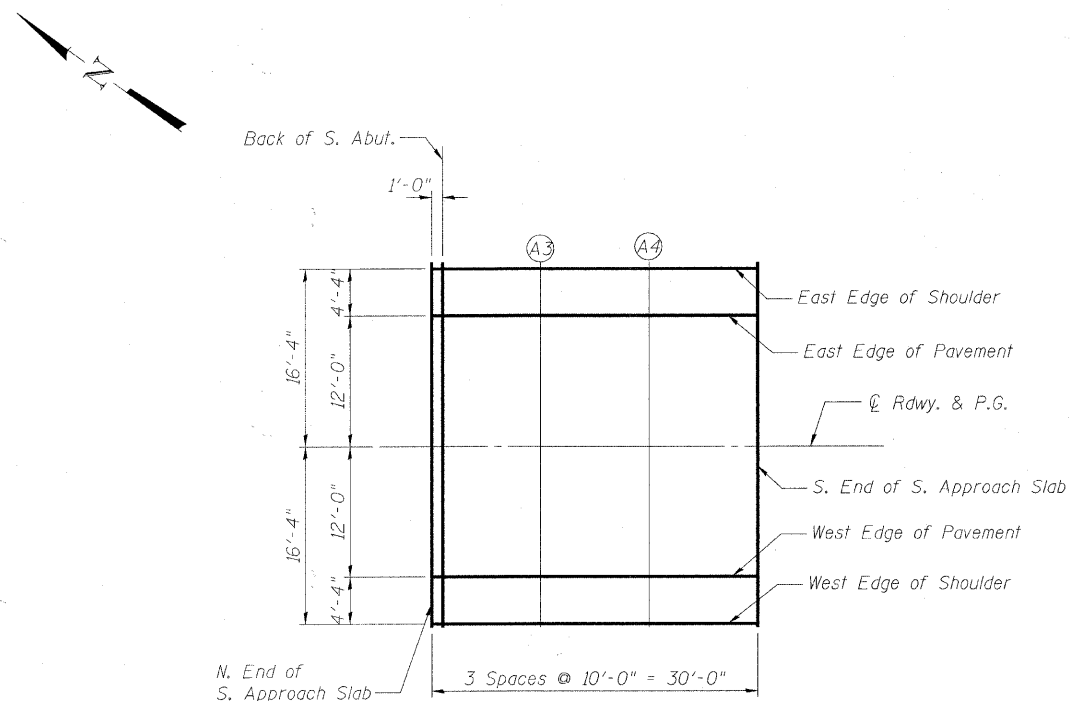
Location	Station	Offset	Theoretical Grade Elevations
N. End S. Appr. Slab	307+40.67	0.00	888.71
A3	307+50.67	0.00	888.75
A4	307+60.67	0.00	888.75
S. End S. Appr. Slab	307+70.67	0.00	888.71

WEST EDGE OF PAVEMENT

Location	Station	Offset	Theoretical Grade Elevations
N. End S. Appr. Slab	307+40.67	12.00	888.46
A3	307+50.67	12.00	888.54
A4	307+60.67	12.00	888.58
S. End S. Appr. Slab	307+70.67	12.00	888.58

WEST EDGE OF SHOULDER

Location	Station	Offset	Theoretical Grade Elevations
N. End S. Appr. Slab	307+40.67	16.33	888.37
A3	307+50.67	16.33	888.47
A4	307+60.67	16.33	888.52
S. End S. Appr. Slab	307+70.67	16.33	888.53



PLAN
South Approach

COPYRIGHT © 2002 BY BAXTER & WOODMAN, INC. ...
 LICENSE NO. 184-000231 EXPIRES 4/30/2011
 3/7/2008 3:29:47 PM

FILE NAME =	USER NAME =	DESIGNED - BLB	REVISED - PER MCDOT 12/31/10	MCHENRY COUNTY DIVISION OF TRANSPORTATION GRAF ROAD BRIDGE OVER LAWRENCE CREEK	TOP OF SOUTH APPROACH SLAB ELEVATIONS STRUCTURE NO. 056-3182		TR RTE	SECTION	COUNTY	TOTAL SHEETS	SHEET NO.
		CHECKED - BAB	REVISED -		0037	06-00322-00-BR	MCHENRY	54	33		
		DRAWN - BCD	REVISED -		C-91-358-06		CONTRACT NO. 63569				
		CHECKED - BLB	REVISED -		SHEET NO. 10 OF 19 SHEETS		FED. ROAD DIST. NO. 1 ILLINOIS FED. AID PROJECT BR05-0001(683)				