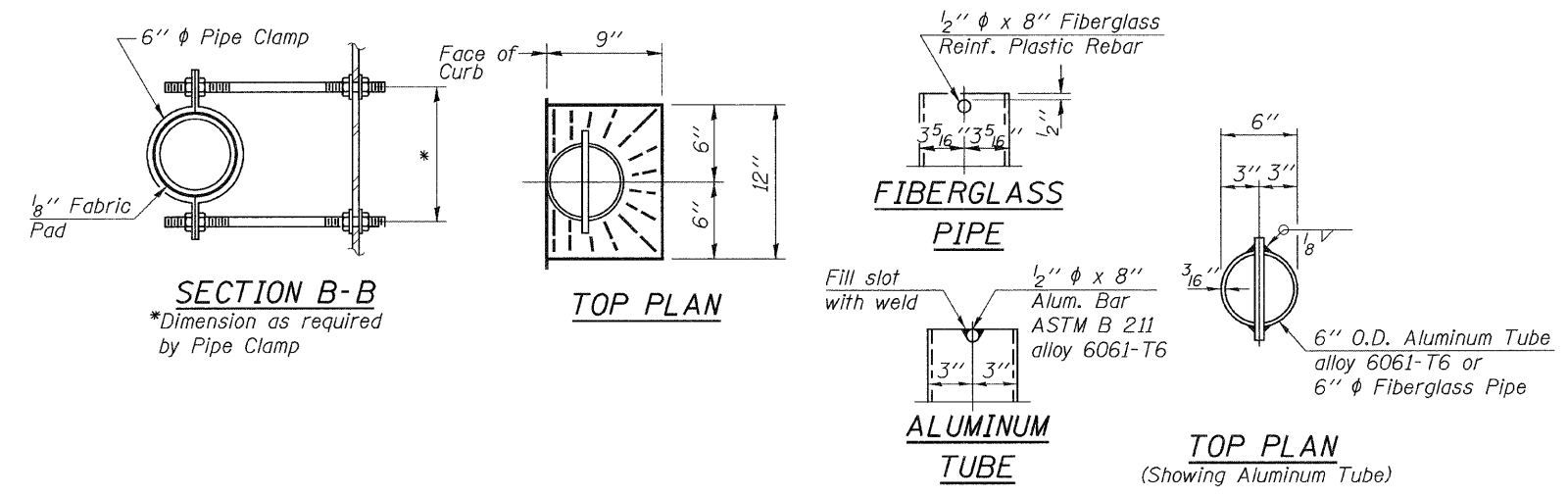


⌀ 3/4" ϕ x 3'-0" , Min. steel stud bolts threaded 6" each end with 2 washers and locknuts. 15/16" ϕ holes in web (To be drilled in field.)

33WF125 (Spans 1, 2, 3, 7, 8 & 9)
63" Web Riveted Plate
Girder (Spans 4, 5 & 6)

Contractor to take extreme care not to damage utility attachments. Any damaged/modified hangers or utilities to be restored to original condition at the contractor's expense.

SECTION THRU PARAPET



SECTION B-B
*Dimension as required by Pipe Clamp

TOP PLAN

FIBERGLASS PIPE

ALUMINUM TUBE

TOP PLAN
(Showing Aluminum Tube)

BILL OF MATERIAL

Item	Unit	Quantity
Floor Drains	Each	64

DESIGNED - G.G.E.	EXAMINED - <i>James F. Jolly</i> ACTING ENGINEER OF STRUCTURAL SERVICES	DATE - January 11, 2011	STATE OF ILLINOIS DEPARTMENT OF TRANSPORTATION	FLOOR DRAIN DETAILS STRUCTURE NO. 081-0047	F.A.U. RTE. 5834	SECTION (I15BR)M	COUNTY Rock Island	TOTAL SHEETS 22	SHEET NO. 18	
CHECKED - I.J.L.	PASSED - <i>Carl Krueger</i> ACTING ENGINEER OF BRIDGES AND STRUCTURES				SHEET NO. 7 OF 11 SHEETS					
DRAWN - Drew Christopher					ILLINOIS FED. AID PROJECT					
CHECKED - G.G.E. I.J.L.										