

F.A.U. RTE.	SECTION	COUNTY	TOTAL SHEETS	SHEET NO.
5834	(115BR)M	Rock Island	22	1
		ILLINOIS	CONTRACT NO. 64G70	

STATE OF ILLINOIS
DEPARTMENT OF TRANSPORTATION
DIVISION OF HIGHWAYS

**PROPOSED
HIGHWAY PLANS**

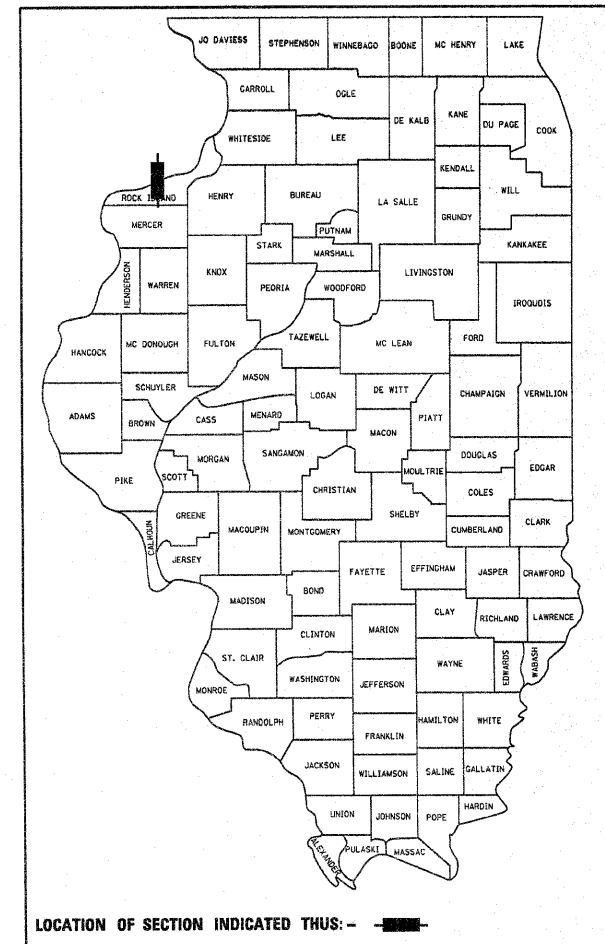
FAU ROUTE 5834 (27th Street)
SECTION (115BR)M

BRIDGE REPAIRS
ROCK ISLAND COUNTY

C-92-041-11

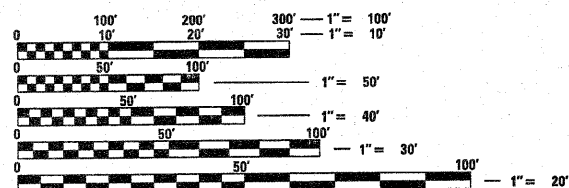
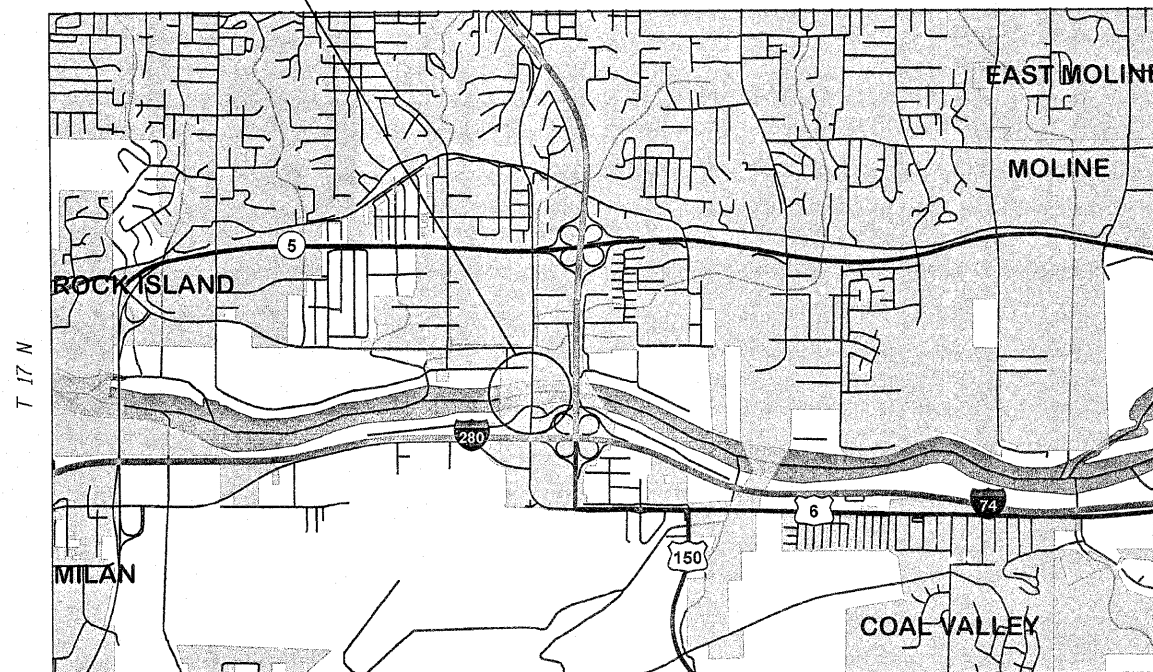
FOR INDEX OF SHEETS, SEE SHEET NO. 2

D-92-019-11



Project Location
Structure Number 081-0047

R 1 W



FULL SIZE PLANS HAVE BEEN PREPARED USING STANDARD ENGINEERING SCALES. REDUCED SIZED PLANS WILL NOT CONFORM TO STANDARD SCALES. IN MAKING MEASUREMENTS ON REDUCED PLANS, THE ABOVE SCALES MAY BE USED.

J.U.L.I.E.
JOINT UTILITY LOCATION INFORMATION FOR EXCAVATION
1-800-892-0123
OR 811

STATE OF ILLINOIS
DEPARTMENT OF TRANSPORTATION
DIVISION OF HIGHWAYS

SUBMITTED December 8, 2010
George F. Ryan
DEPUTY DIRECTOR OF HIGHWAYS, REGION ENGINEER

February 4, 2011
Scott E. Stitt P.E.
acting ENGINEER OF DESIGN AND ENVIRONMENT

February 4, 2011
Christine M. Reed
DIRECTOR OF HIGHWAYS, CHIEF ENGINEER

**PRINTED BY THE AUTHORITY
OF THE STATE OF ILLINOIS**

CONTRACT NO. 64G70

DISTRICT 2 BRIDGE MAINTENANCE ENGINEER: MAHMOUD ETEMADI 815/284-5393
PLAN TECHNICIAN: DAN LINK 815/284-5416

GENERAL NOTES

The final top four inches of soil in any right-of-way area disturbed by the Contractor must be capable of supporting vegetation. The soil must be from the A horizon (zero to 2' deep) of soil profiles of local soils.

All Borrow/Waste/Use sites must be approved by the Department prior to removing any material from the project or initiating any earthmoving activities, including temporary stockpiling outside the limits of construction.

The Contractor shall seed all disturbed areas within the project limits. Seeding Class 4 or 2A shall be used, except in front of properties where the grass will be mowed, then use Seeding, Class 1. Class 2A shall be used on front slopes and ditch bottoms. Class 4 shall be used behind Type A gutter, on all backslopes and areas behind the backslope, and beyond the toe of front slope on fill sections without ditches. This work will be included in the contract unit price per Cubic Yard for Concrete Removal.

Fertilizer shall be applied to all disturbed areas and incorporated into the seedbed prior to seeding or placement of sod at the rate specified in Sections 250 and 252 of the Standard Specifications. This work shall be included in the cost of CONCRETE REMOVAL.

Mulch Method II shall be applied over all seeded areas. This shall be included in the cost of the CONCRETE REMOVAL.

A Nationwide 404 Permit No. 3 has been obtained for this project to account for the use of barges in the river. NO permits have been obtained to allow for the dropping of debris into the river. If any concrete or debris is dropped in the river, the contractor will be required to procure the proper permit(s) from the required Regulatory Agencies on their own. Any time delay or additional compensation due to the procuring of said permit(s) will not be given.

At bridge expansion joints, if temporary expansion joint bulkheads are attached to adjacent deck slabs or abutments for support, the Contractor shall cut the attachments as soon as the concrete has set to prevent joint damage due to horizontal contraction or expansion.

The Contractor shall be responsible for protecting utility property during construction operations as outlined in Article 107.31 of the Standard Specifications. A minimum of 48 hours advance notice is required for non-emergency work. The JULIE number is 800-892-0123.

Prior to installing Stage I Traffic Control the raised concrete median must be removed north of the bridge. See Bridge Approach Sheet for details.

INDEX OF SHEETS

1. Cover Sheet
2. General Notes, Index of Sheets, Standards
3. Summary of Quantities
4. Bridge Approach Details
- 5.-7. Traffic Control Plan Stage I
- 8.-10. Traffic Control Plan Stage II
11. Informational Warning Sign
12. General Plan & Elevation
13. Staging Cross Sections
14. Abutment Joint Details
15. Pier 6 Joint Details
- 16.-17. Deck Repair Plan
18. Floor Drain Details
19. Pier 3 Repair Plan
20. Pier 6 Repair Plan
21. Strip Seal Details
22. Bar Splicer Details

STANDARDS

- 701101-02 Off-Road Operations, Multilane, 4.5 m (15') to 600 mm (24") From Pavement Edge
- 701426-04 Lane Closure, Multilane, Intermittent or Moving Operation, for Speeds > 45 MPH
- 701606-07 Urban Lane Closure, Multilane, 2W with Mountable Median
- 701801-04 Lane Closure, Multilane 1W or 2W Crosswalk or Sidewalk Closure
- 701901-01 Traffic Control Devices
- 704001-06 Temporary Concrete Barrier
- 720001-01 Sign Panel Mounting Details
- 720006-02 Sign Panel Erection Details
- 720001-01 Sign Panel Mounting Details
- 728001-01 Telescoping Steel Sign Support
- 729001-01 Applications of Types A and B Metal Posts (For Signs & Markers)
- 720011-01 Metal Posts for Signs, Markers and Delineators

FILE NAME =	USER NAME = lrrkdj	DESIGNED -	REVISD -	STATE OF ILLINOIS DEPARTMENT OF TRANSPORTATION	GENERAL NOTES, INDEX OF SHEETS STANDARDS	F.A.U. RTE.	SECTION	COUNTY	TOTAL SHEETS	SHEET NO.	
D:\BRV\CADD plans\Rock Island County\0812047\2010\0810047.dgn	DRAWN -	REVISD -	5834			(115BR)M	Rock Island	22	2		
PLOT SCALE = 50.0000' / IN.	CHECKED -	REVISD -	CONTRACT NO. 64G70								
PLOT DATE = Fri Dec 10 10:31:30 2010	DATE -	REVISD -	ILLINOIS FED. AID PROJECT								
						SCALE: _____	SHEET NO. ___ OF ___ SHEETS	STA. _____ TO STA. _____			

SUMMARY OF QUANTITIES

URBAN
100% State
0014

Pay Item	Description	Unit	Quantity
40600990	TEMPORARY RAMP	SQ YD	18
42001300	PROTECTIVE COAT	SQ YD	42.8
44000300	CURB REMOVAL	FOOT	260
X4402020	CONCRETE MEDIAN SURFACE REMOVAL	SQ FT	1170
50157300	PROTECTIVE SHIELD	SQ YD	5871
50102400	CONCRETE REMOVAL	CU YD	15.3
50300100	FLOOR DRAINS	EACH	64
50300255	CONCRETE SUPERSTRUCTURE	CU YD	15.3
50800205	REINFORCEMENT BARS, EPOXY COATED	POUND	1580
50800515	BAR SPLICERS	EACH	22
52000050	PREFORMED JOINT SEAL 4"	FOOT	96
52000110	PREFORMED JOINT STRIP SEAL	FOOT	116.5
60600505	CONCRETE CURB (SPECIAL)	FOOT	260
60618300	CONCRETE MEDIAN SURFACE, 4 INCH	SQ FT	1170
67100100	MOBILIZATION	L SUM	1
70102625	TRAFFIC CONTROL AND PROTECTION, STANDARD 701606	L SUM	1
70102640	TRAFFIC CONTROL AND PROTECTION, STANDARD 701801	L SUM	1
70300220	TEMPORARY PAVEMENT MARKING - LINE 4"	FOOT	17,250

URBAN
100% State
0014

Pay Item	Description	Unit	Quantity
70301000	WORK ZONE PAVEMENT MARKING REMOVAL	SQ FT	5750
70400100	TEMPORARY CONCRETE BARRIER	FOOT	1187.5
70400200	RELOCATE TEMPORARY CONCRETE BARRIER	FOOT	1187.5
* 78001110	PAINT PAVEMENT MARKING - LINE 4"	FOOT	7094
78300100	PAVEMENT MARKING REMOVAL	SQ FT	760
Z0012754	STRUCTURAL REPAIR OF CONCRETE (DEPTH EQUAL TO OR LESS THAN 5 INCHES)	SQ FT	1566
Z0016001	DECK SLAB REPAIR (FULL DEPTH, TYPE I)	SQ YD	10
Z0016002	DECK SLAB REPAIR (FULL DEPTH, TYPE II)	SQ YD	109
Z0016200	DECK SLAB REPAIR (PARTIAL)	SQ YD	96
Z0024476	FLEXIBLE DELINEATOR MAINTENANCE	EACH	150
Z0030070	IMPACT ATTENUATORS (SEVERE USE, NARROW), TEST LEVEL 3	EACH	1
Z0030250	IMPACT ATTENUATORS, TEMPORARY (NON- REDIRECTIVE), TEST LEVEL 3	EACH	1
Z0030350	IMPACT ATTENUATORS, RELOCATE (NON- REDIRECTIVE), TEST LEVEL 3	EACH	1
Z0030370	IMPACT ATTENUATORS, RELOCATE (SEVERE USE, NARROW), TEST LEVEL 3	EACH	1

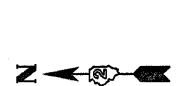
FILE NAME =	USER NAME = linkd	DESIGNED -	REVISED -	STATE OF ILLINOIS DEPARTMENT OF TRANSPORTATION	SUMMARY OF QUANTITIES	F.A.U. RTE.	SECTION	COUNTY	TOTAL SHEETS	SHEET NO.
D:\BR\CADD\plans\Rock Island County\0818	047\2010\0818047.dgn	DRAWN -	REVISED -			5834	(115BR)M	Rock Island	22	3
	PLOT SCALE = 50,0000' / IN.	CHECKED -	REVISED -			CONTRACT NO. 64G70				
	PLOT DATE = Fri Dec 10 10:31:25 2010	DATE -	REVISED -			ILLINOIS FED. AID PROJECT				

*Specialty Items

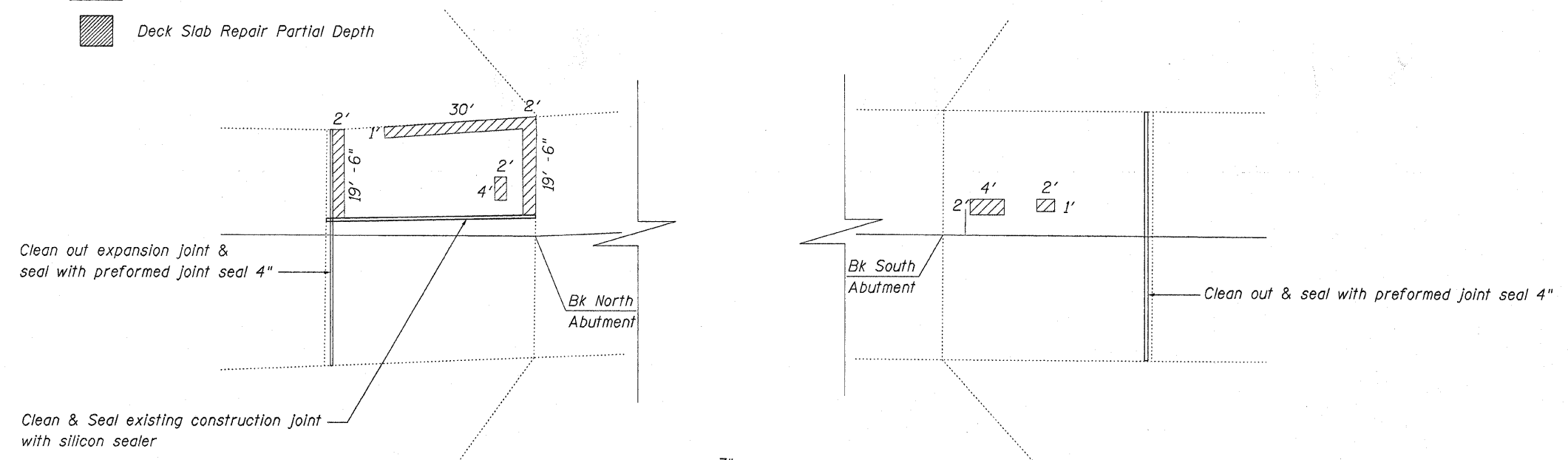
Rev. Rev.

SCALE: SHEET NO. OF SHEETS STA. TO STA.

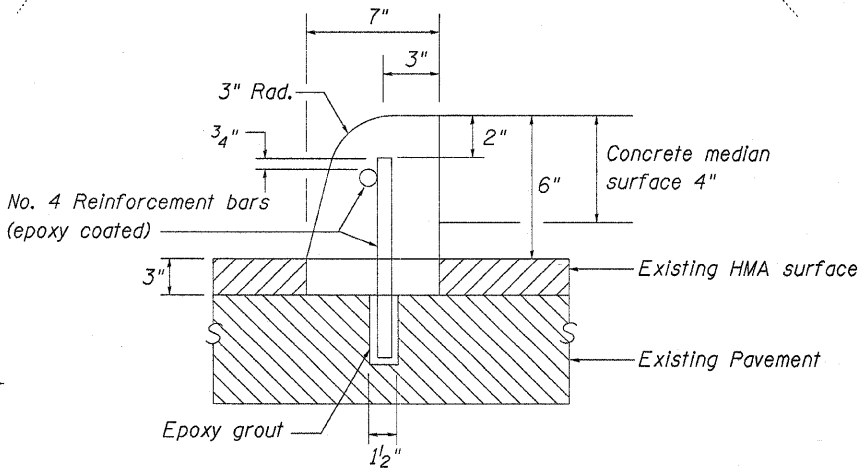
Bridge Approach Details



Legend
 Deck Slab Repair Partial Depth



Clean & Seal existing construction joint with silicon sealer



Concrete Curb Detail

Holes 1/2" Dia shall be drilled 5" into the existing pavement at 5' -0" cts. spaced to miss existing anchors. No. 4 bars 12" long shall be epoxy grouted into the holes, and a no.4 bar shall be installed horizontally in the curb, except at contraction joints.

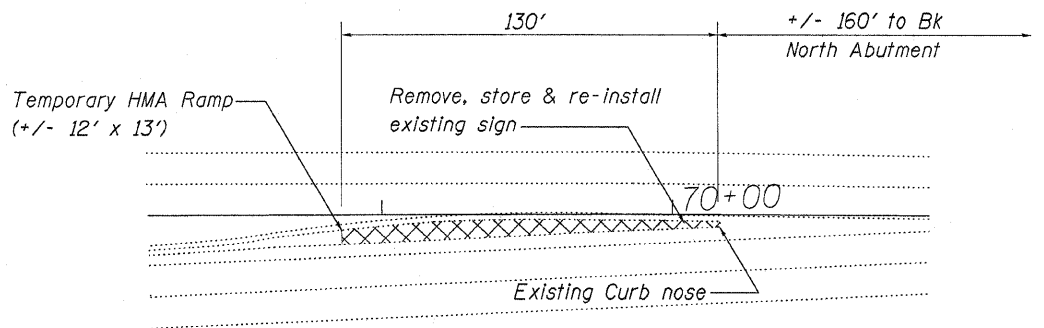
Existing No. 4 bar anchors to be cut flush with pavement surface.

Joints of a type similar to that in the underlying pavement (expansion or contraction) shall be installed in the concrete curb in alignment with the joints in the pavement.

The cost of all materials and labor required to install the joints and reinforcement bars in the curb shall be included in the contract unit price per lined foot for "Concrete Curb".

Bill of Material

Item	Unit	Quantity
Deck Slab Repair Partial Depth	Sq Yd	14
Curb Removal	Foot	260
Concrete Median Surface Removal	Sq Ft	1170
Preformed Joint Seal 4"	Foot	96
Concrete Median Surface, 4"	Sq Ft	1170
Concrete Curb	Foot	260



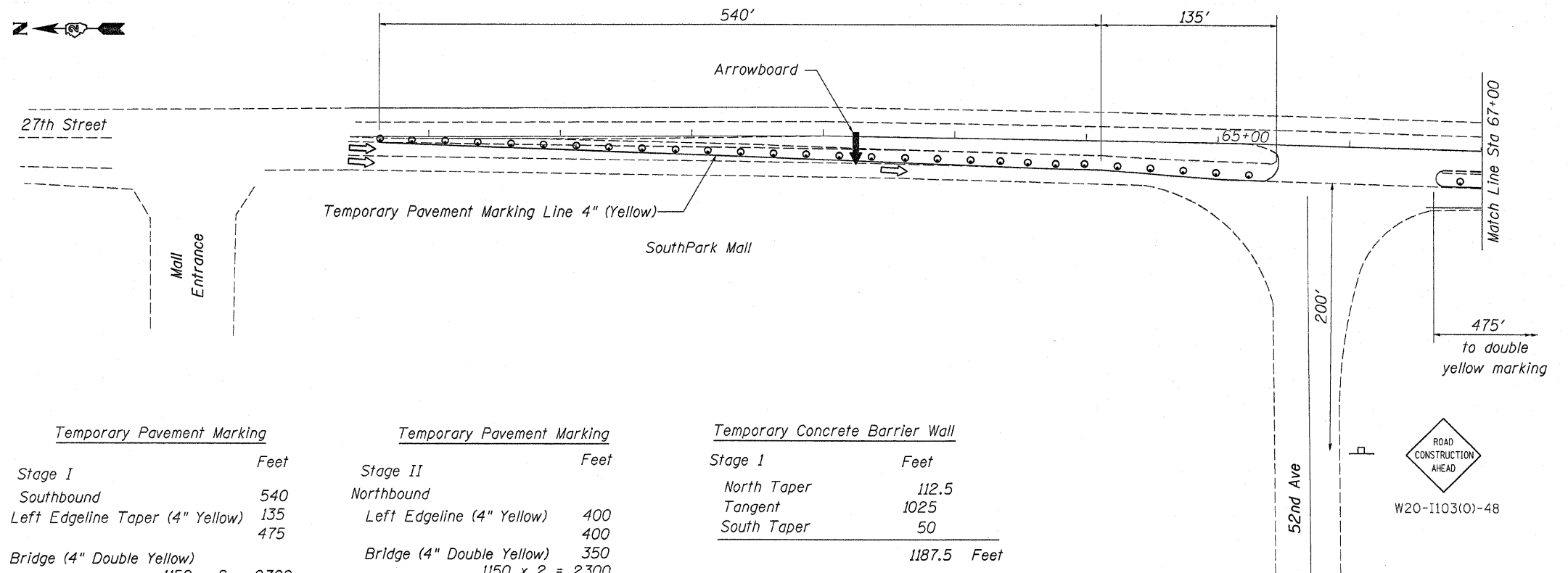
Remove concrete curb and median to provide driving surface for cross-over stage traffic. Upon completion of bridge repairs replace concrete curb and median surface.

Median Removal and Replacement

FILE NAME =	USER NAME = linkdj	DESIGNED -	REVISED -	STATE OF ILLINOIS DEPARTMENT OF TRANSPORTATION	BRIDGE APPROACH REPAIRS	F.A.U. RTE.	SECTION	COUNTY	TOTAL SHEETS	SHEET NO.
D:\BR\CADD plans\Rock Island County\081847\2018\0818047.dgn		DRAWN -	REVISED -			5834	(115BR)M	Rock Island	22	4
PLOT SCALE = 50.0000' / IN.		CHECKED -	REVISED -			CONTRACT NO. 64G70				
PLOT DATE = Fri Dec 10 10:31:18 2010		DATE -	REVISED -			ILLINOIS FED. AID PROJECT				

Traffic Control Plan Stage I

Refer to Standard 701606-06 for additional details, signing & devices.
Prior to installing Stage I Traffic Control the raised concrete median must be removed north of the bridge. See Bridge Approach Sheet for details.



Pavement Marking Removal	
Stage I	Sq Ft
Double Yellow-North Taper	175
Double Yellow-South Taper	235
Double Yellow-North Taper	175
Double Yellow-South Taper	175
Total	760 Sq Ft

Temporary Pavement Marking	
Stage I	Feet
Southbound	540
Left Edgeline Taper (4" Yellow)	135
Bridge (4" Double Yellow)	1150 x 2 = 2300
Left Edgeline (4" Yellow)	425
Right Edgeline (4" White)	1500
Sub-Total 8900 Feet	

Temporary Pavement Marking	
Stage II	Feet
Northbound	
Left Edgeline (4" Yellow)	400
Bridge (4" Double Yellow)	350
North approach	250
Right Edgeline (4" White)	1150
Sub-Total 8350 Feet	

Temporary Concrete Barrier Wall	
Stage I	Feet
North Taper	112.5
Tangent	1025
South Taper	50
Total	1187.5 Feet

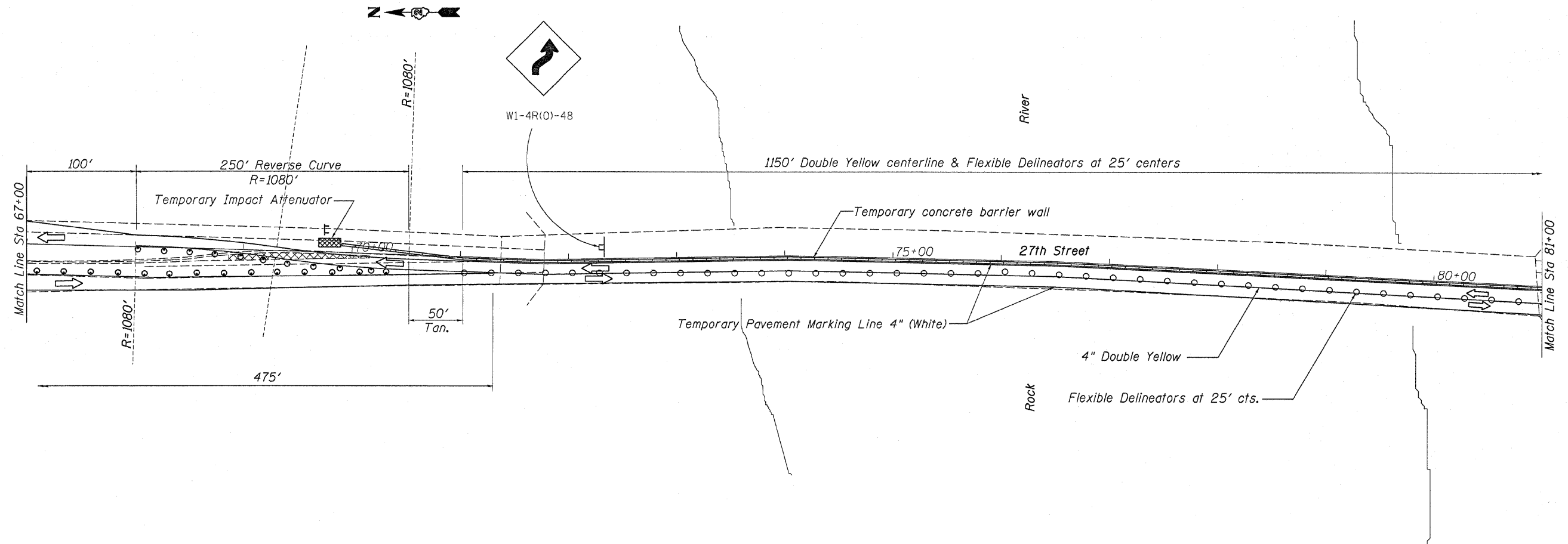
Relocate Temporary Concrete Barrier	
Stage II	Feet
North Taper	112.5
Tangent	1025
South Taper	50
Total	1187.5 Feet

Temporary Impact Attenuator, Non-Redirective, Test Level 3		
Stage I	1	Each
Stage II	1	Each
Relocate Temporary Impact Attenuator, Non-Redirective, Test Level 3		
Stage II	1	Each
Temporary Impact Attenuator, Severe Use Narrow, Test Level 3		
Stage I	1	Each
Relocate Temporary Impact Attenuator, Severe Use Narrow, Test Level 3		
Stage II	1	Each

Stage I	8900
Stage II	8350
Total	17,250 Feet

Traffic Control Plan Stage I

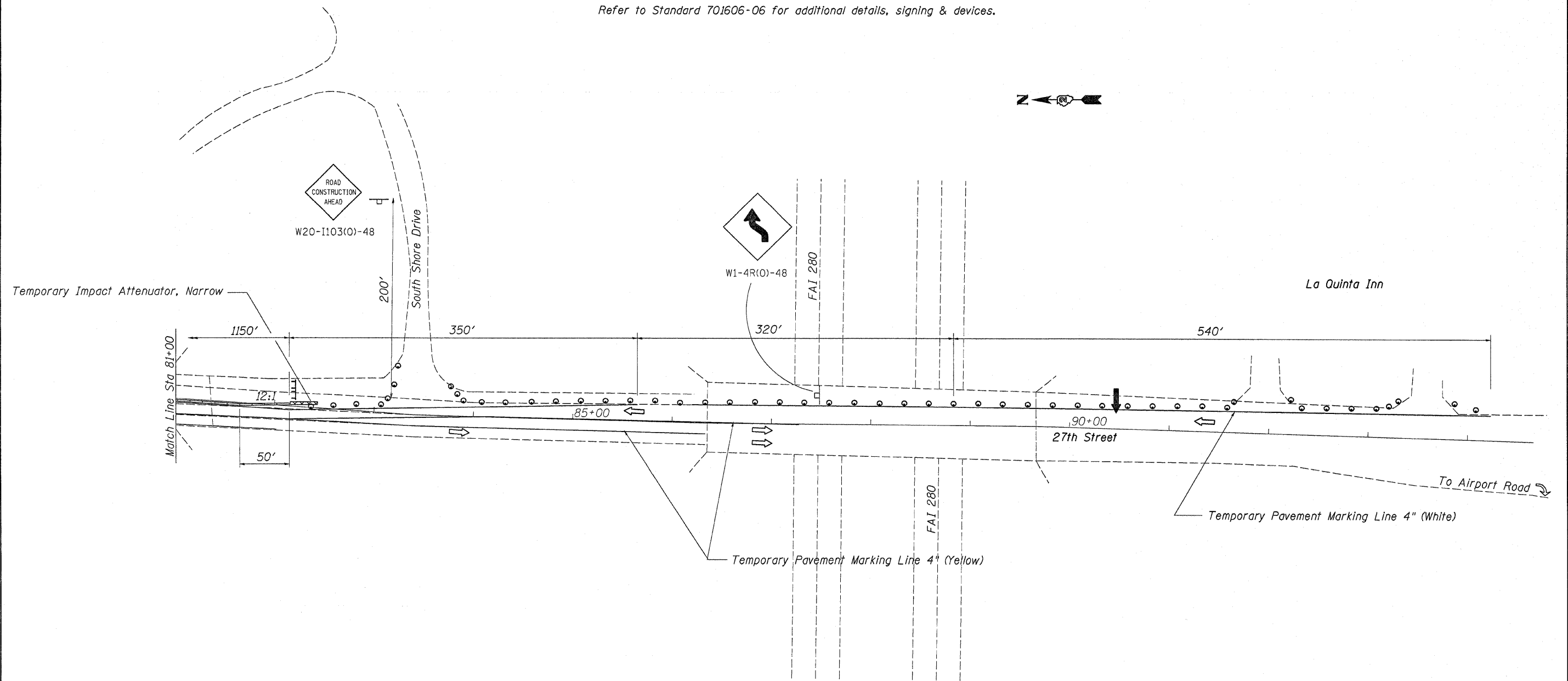
Refer to Standard 701606-06 for additional details, signing & devices.



FILE NAME =	USER NAME = linkdj	DESIGNED -	REVISD -	STATE OF ILLINOIS DEPARTMENT OF TRANSPORTATION	STAGE I TRAFFIC CONTROL	F.A.U. RTE.	SECTION	COUNTY	TOTAL SHEETS	SHEET NO.
G:\BR\CADD plans\Rock Island County\081047\2010\0810047.dgn		DRAWN -	REVISD -			5834	015BRM	Rock Island	22	6
PLOT SCALE = 50.0000' / IN.		CHECKED -	REVISD -			CONTRACT NO. 64G70				
PLOT DATE = Fri Dec 10 10:31:05 2010		DATE -	REVISD -			ILLINOIS FED. AID PROJECT				
SCALE: _____ SHEET NO. ___ OF ___ SHEETS STA. _____ TO STA. _____										

Traffic Control Plan Stage I

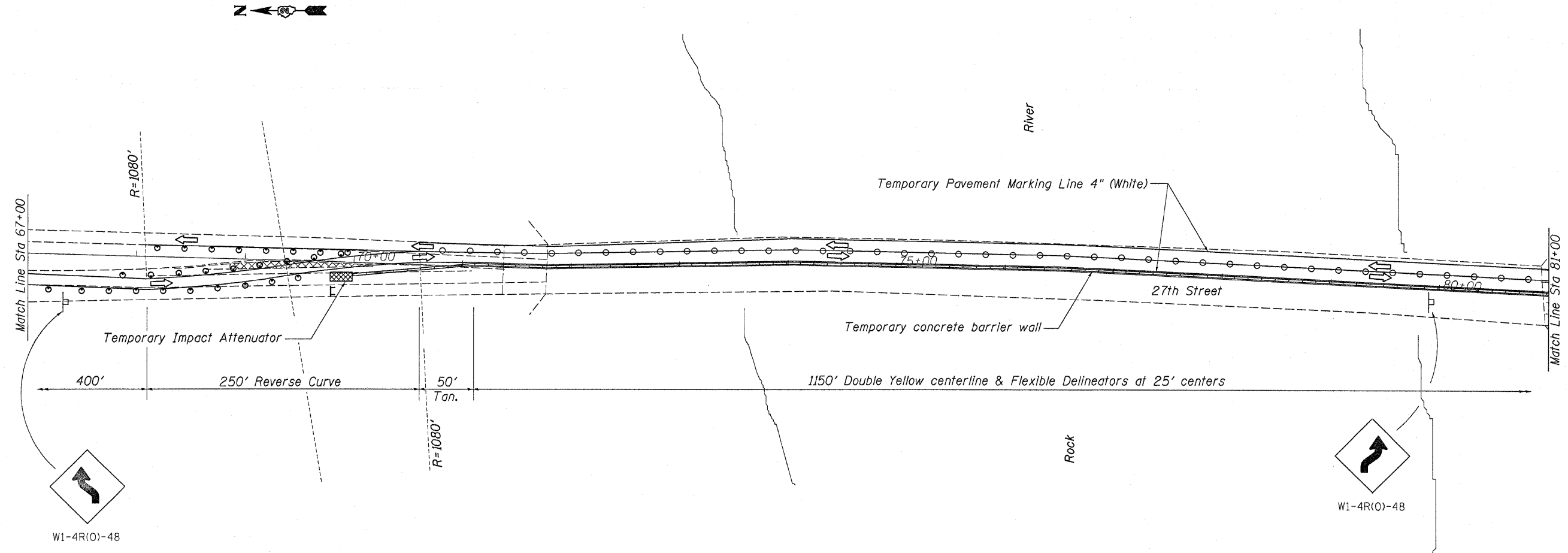
Refer to Standard 701606-06 for additional details, signing & devices.



FILE NAME =	USER NAME = linkdj	DESIGNED -	REVISED -	STATE OF ILLINOIS DEPARTMENT OF TRANSPORTATION	STAGE I TRAFFIC CONTROL	F.A.J. RTE.	SECTION	COUNTY	TOTAL SHEETS	SHEET NO.
D:\BR\CADD plans\Rock Island County\081047\2010\081047.dgn		DRAWN -	REVISED -			5834	(115BRM)	Rock Island	22	7
PLOT SCALE = 50.0000' / IN.		CHECKED -	REVISED -			CONTRACT NO. 64670				
PLOT DATE = Fri Dec 10 10:30:59 2010		DATE -	REVISED -			ILLINOIS FED. AID PROJECT				
SCALE: _____ SHEET NO. _____ OF _____ SHEETS STA. _____ TO STA. _____										

Traffic Control Plan Stage II

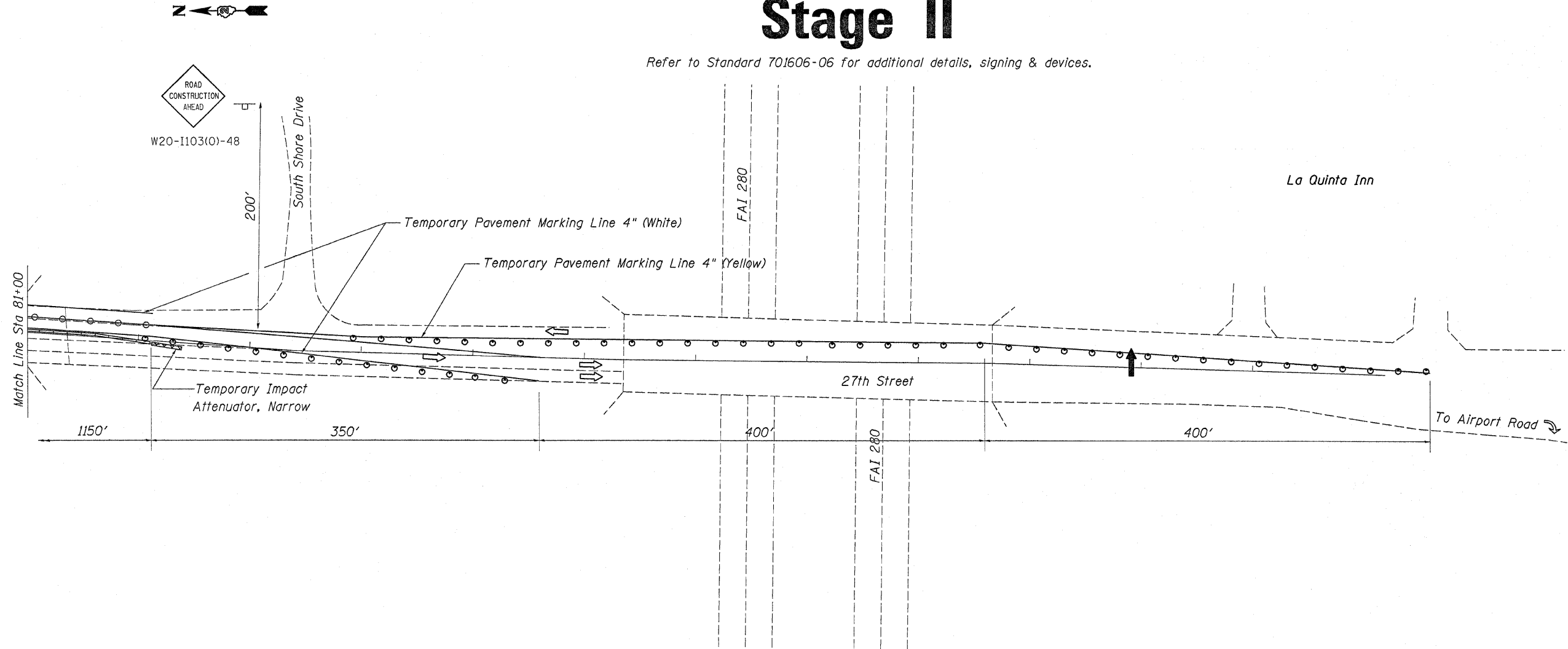
Refer to Standard 701606-06 for additional details, signing & devices.



FILE NAME = D:\BR\CADD plans\Rock Island County\081047\2010\0810047.dgn	USER NAME = lskdj	DESIGNED -	REVISD -	STATE OF ILLINOIS DEPARTMENT OF TRANSPORTATION	STAGE II TRAFFIC CONTROL	F.A.J. RTE.	SECTION	COUNTY	TOTAL SHEETS	SHEET NO.	
		DRAWN -	REVISD -			5834	(115BRM)	Rock Island	22	9	
		CHECKED -	REVISD -			CONTRACT NO. 64G70					
		DATE -	REVISD -			ILLINOIS FED. AID PROJECT					
PLOT SCALE = 50,0000' / IN. PLOT DATE = Fri Dec 10 10:30:47 2010				SCALE: _____ SHEET NO. ___ OF ___ SHEETS STA. _____ TO STA. _____							

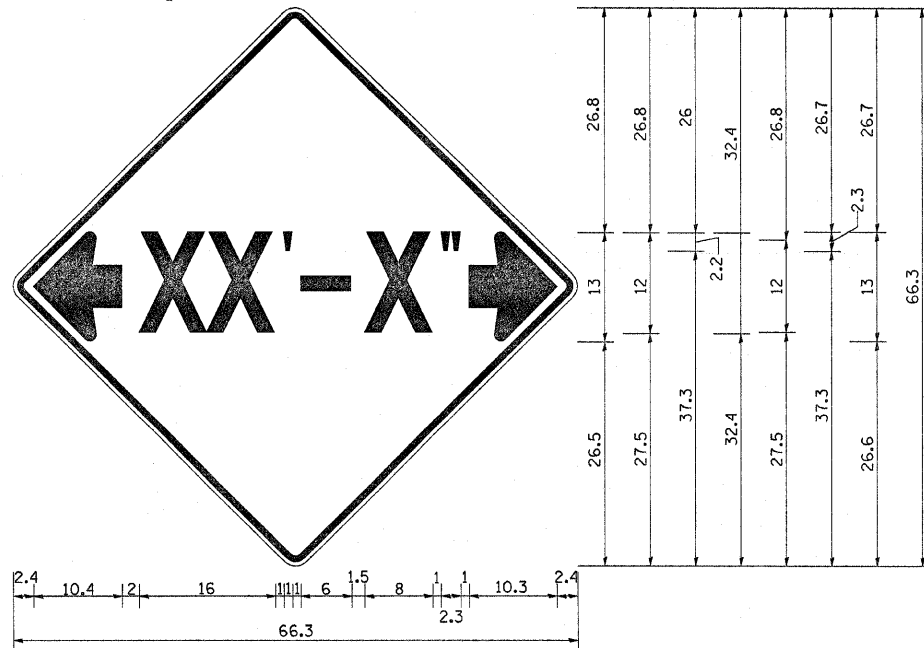
Traffic Control Plan Stage II

Refer to Standard 701606-06 for additional details, signing & devices.

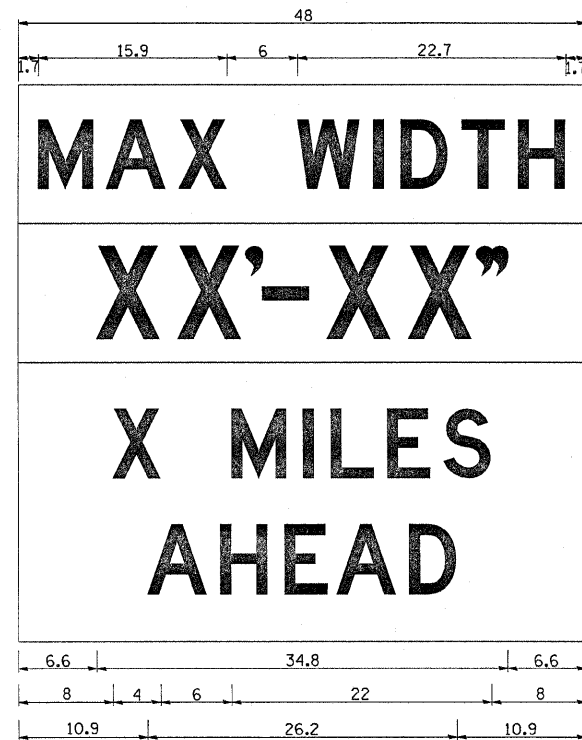


FILE NAME =	USER NAME = lmkd	DESIGNED -	REVISED -	STATE OF ILLINOIS DEPARTMENT OF TRANSPORTATION	STAGE II TRAFFIC CONTROL	F.A.J. RTE.	SECTION	COUNTY	TOTAL SHEETS	SHEET NO.
D:\BR\CADD plans\Rock Island County\081047\2012\081047.dgn		DRAWN -	REVISED -			5834	(115BR)M	Rock Island	22	10
PLOT SCALE = 50.0000' / IN.		CHECKED -	REVISED -			CONTRACT NO. 64G70				
PLOT DATE = Fri Dec 10 10:30:41 2010		DATE -	REVISED -			ILLINOIS FED. AID PROJECT				
SCALE: _____ SHEET NO. _____ OF _____ SHEETS STA. _____ TO STA. _____										

INFORMATIONAL WARNING SIGN (FOR NARROW TRAVEL LANES)



NOTES
 W12-2 - Horizontal Clearance Sign
 48.0" across sides, 1.9" Radius,
 0.8" Border, 0.5" Indent, Black on
 Orange; Standard Arrow Custom
 10.4" X 8.1" 180° Black 11 Inch
 D Series Lettering; Standard Arrow
 Custom 10.4" X 8.1" 0°



W12-1103 (Width Is 8D);
 No border, Black on White;
 [MAX WIDTH] D;

No border, Black on Orange;
 [XX'-XX'] D;

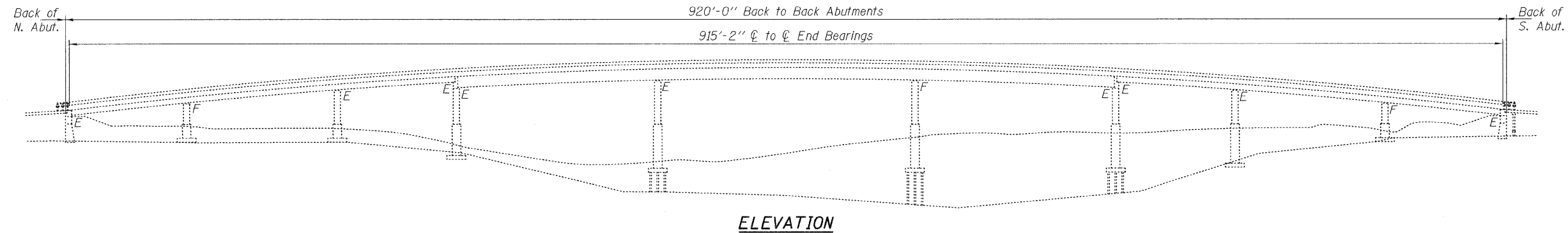
No border, Black on White;
 [X MILES] D; [AHEAD] D;

All work to furnish and install these signs shall be included in the cost of the Traffic Control Standards and shall not be paid for separately.

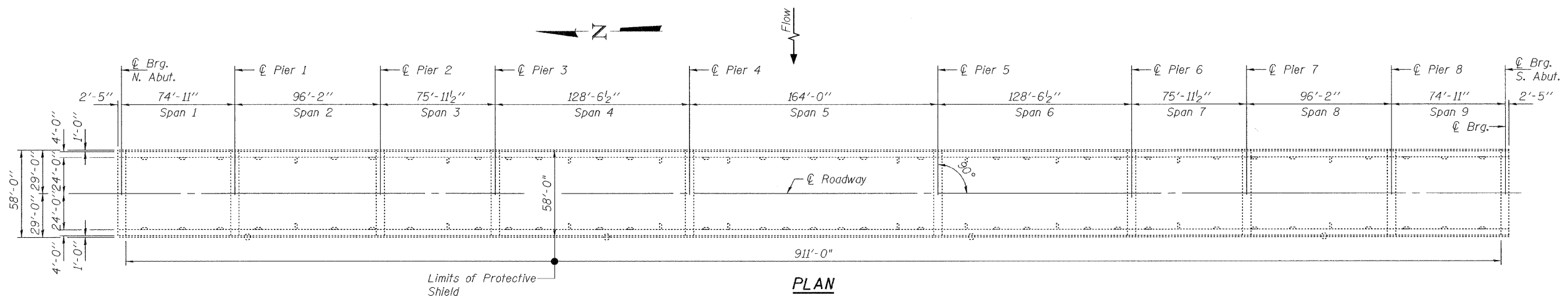
ALL DIMENSIONS ARE IN INCHES UNLESS OTHERWISE NOTED.

REVISED - 5-15-09

REVIS	REVIS	REVIS	REVIS	REVIS	REVIS
REGION 2 / DISTRICT 2 STANDARD					
F.A.U. RTE.	SECTION	COUNTY	TOTAL SHEETS	SHEET NO.	
5834	(115BR)M	Rock Island	22	11	
			CONTRACT NO. 64G70		
SCALE: 5/8" = 1'-0"			SHEET NO. ___ OF ___ SHEETS STA. _____ TO STA. _____		
FED. ROAD DIST. NO. ___ ILLINOIS FED. AID PROJECT					



ELEVATION



PLAN

GENERAL NOTES

All structural steel shall conform to AASHTO Classification M-270 Gr. 36, unless otherwise noted.
 Prior to pouring the new concrete deck, all heavy or loose rust, loose mill scale, and other loose or potentially detrimental foreign material shall be removed from the surfaces in contact with concrete. Tightly adhered paint may remain unless otherwise noted. Removal shall be accomplished by methods that will not damage the steel and the cost will be included in the pay item covering removal of the existing concrete.
 Plan dimensions and details relative to existing plans are subject to nominal construction variations. The Contractor shall field verify existing dimensions and details affecting new construction and make necessary approved adjustments prior to construction or ordering of materials. Such variations shall not be cause for additional compensation for a change in scope of the work, however, the Contractor will be paid for the quantity actually furnished at the unit price bid for the work.

The existing structural steel coating contains lead. The Contractor shall take appropriate precautions to deal with the presence of lead on this project.
 Existing reinforcement bars extending into the removal area shall be cleaned, straightened and incorporated into the new construction. Any reinforcement bars that are damaged during concrete removal shall be replaced with an approved bar splicer or anchorage system. Cost included with Concrete Removal.
 The deck surface shall have its final finish tined according to Article 420.09(e)(1) of the Standard Specifications. Cost included with Concrete Superstructures.
 Joint openings shall be adjusted according to Article 520.04 of the Standard Specifications when the deck is poured at an ambient temperature other than 50° F.
 Reinforcement bars shall conform to the requirements of ASTM A 706 Gr 60. See Special Provisions.
 Reinforcement bars designated (E) shall be epoxy coated.

SCOPE OF WORK

1. Replace all existing 4" x 12" rectangular deck drains with 6" deck drains.
2. Substructure repair at Piers 3 and 6.
3. Replace expansion joints at North and South Abutments.

TOTAL BILL OF MATERIAL

ITEM	UNIT	QUANTITY
Concrete Removal	Cu. Yd.	15.3
Concrete Superstructure	Cu. Yd.	15.3
Reinforcement Bars, Epoxy Coated	Pound	1580
Preformed Joint Strip Seal	Foot	117
Bar Splicers	Each	22
Protective Coat	Sq. Yd.	42.8
Deck Slab Repair, Partial Depth	Sq. Yd.	96
Deck Slab Repair, Full Depth, Type I	Sq. Yd.	10
Deck Slab Repair, Full Depth, Type II	Sq. Yd.	109
Structural Repair of Concrete (Depth equal to or less than 5")	Sq. Ft.	1,566
Floor Drains	Each	64
Protective Shield	Sq. Yd.	5,871

**27th Street over
The Rock River**



Expires: November 30, 2012

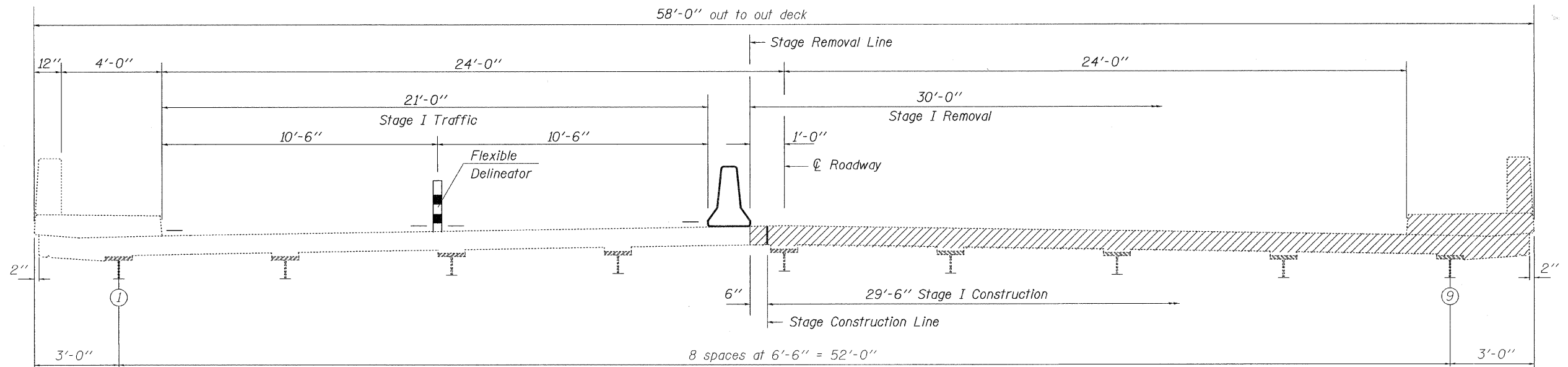
DESIGNED - <i>Augusta</i>	EXAMINED - <i>Jim F. [Signature]</i>	DATE - January 11, 2010
CHECKED - <i>Archie D. Lopez</i>	PASSED - <i>David Carl Puzey</i>	
DRAWN - <i>6/20</i>		
CHECKED - <i>6/20</i>		

**STATE OF ILLINOIS
DEPARTMENT OF TRANSPORTATION**

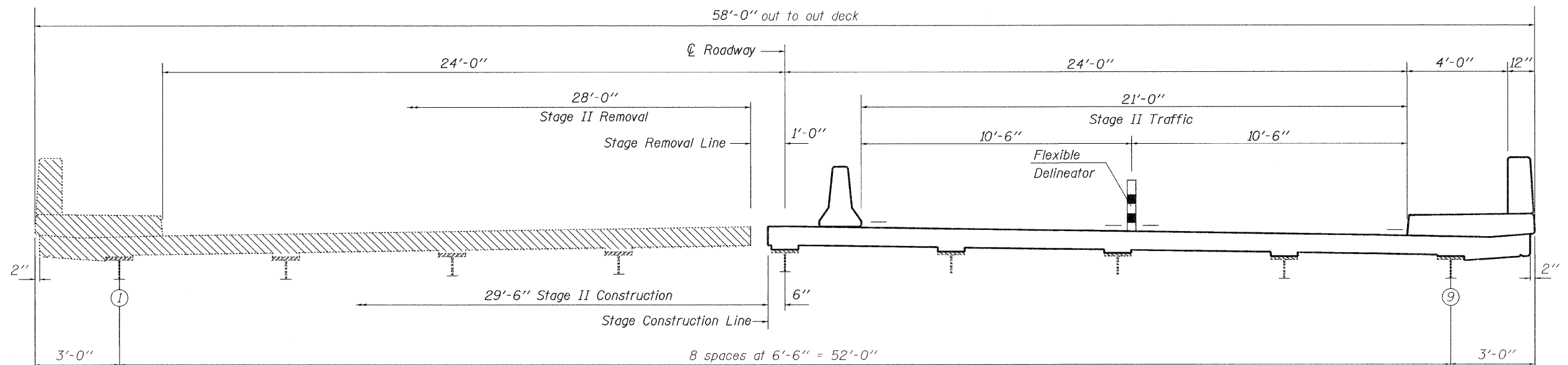
**PLAN AND ELEVATION
SN 081-0047
SHEET NO. 1 OF 11 SHEETS**

F.A.I. RTE.	SECTION	COUNTY	TOTAL SHEETS	SHEET NO.
5834	(115 BR)M	Rock Island	22	12
CONTRACT NO. 64G70				
ILLINOIS FED. AID PROJECT				

SLT-92-001-10



SUPERSTRUCTURE
STRUCTURE NO. 081-0047
CROSS SECTION
 (Looking South)



SUPERSTRUCTURE
STRUCTURE NO. 081-0047
CROSS SECTION
 (Looking South)

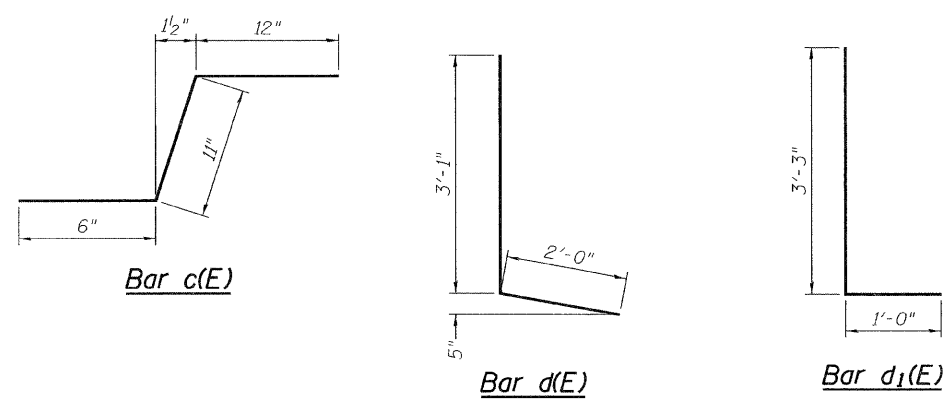
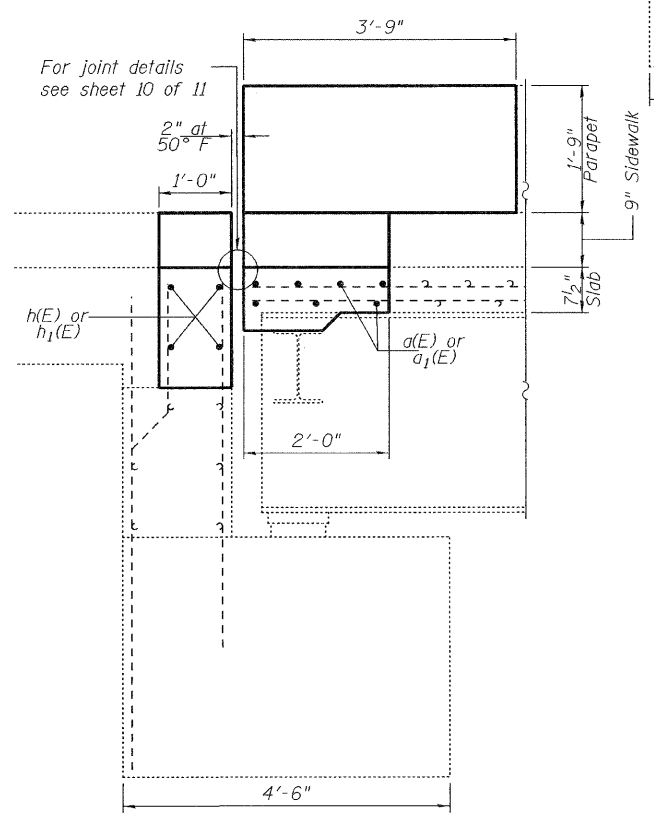
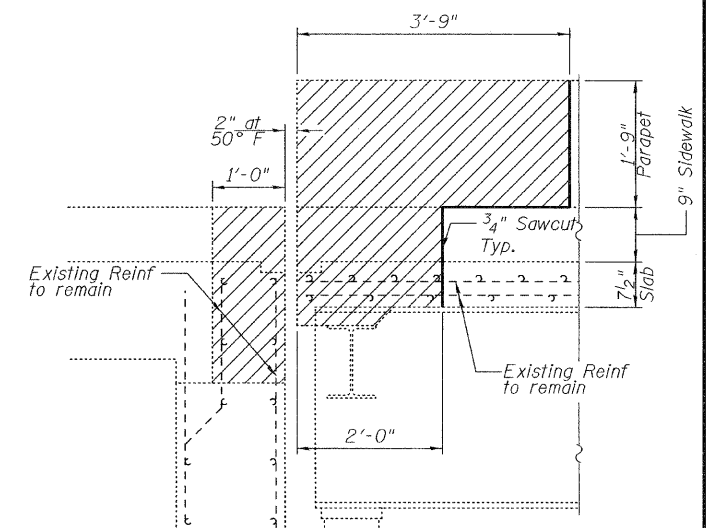
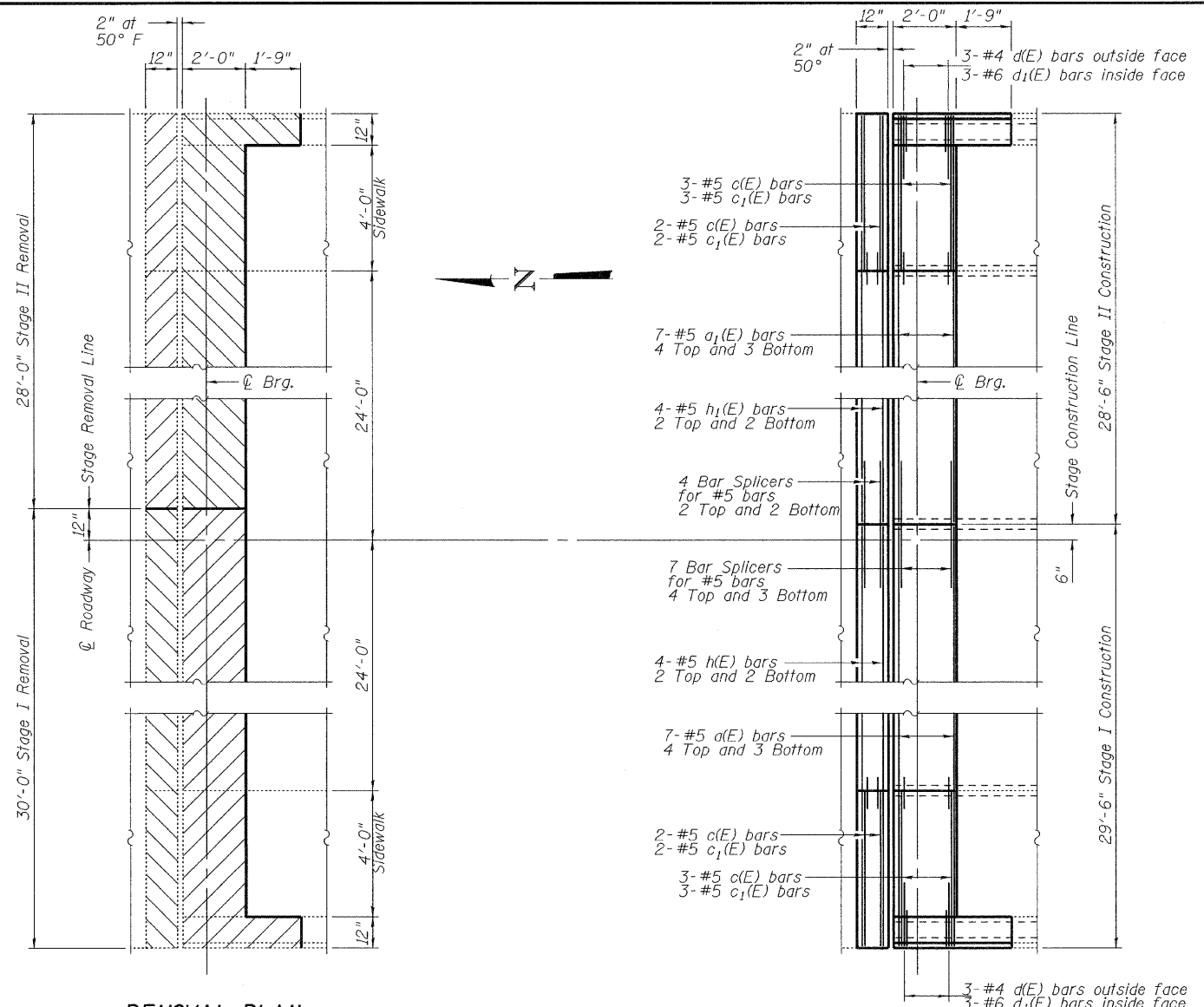
DESIGNED - G.G.E.	EXAMINED	DATE - January 11, 2011
CHECKED - I.J.L.	<i>Jaime F. J. [Signature]</i> ACTING ENGINEER OF STRUCTURAL SERVICES	
DRAWN - Drew Christopher	PASSED	
CHECKED - G.G.E. I.J.L.	<i>Carl [Signature]</i> ACTING ENGINEER OF BRIDGES AND STRUCTURES	

STATE OF ILLINOIS
DEPARTMENT OF TRANSPORTATION

STAGING CROSS SECTIONS
SN 081-0047

SHEET NO. 2 OF 11 SHEETS

F.A.J. RTE.	SECTION	COUNTY	TOTAL SHEETS	SHEET NO.
5834	(115BR)M	Rock Island	22	13
CONTRACT NO. 64G70				
[ILLINOIS] FED. AID PROJECT				



BILL OF MATERIAL

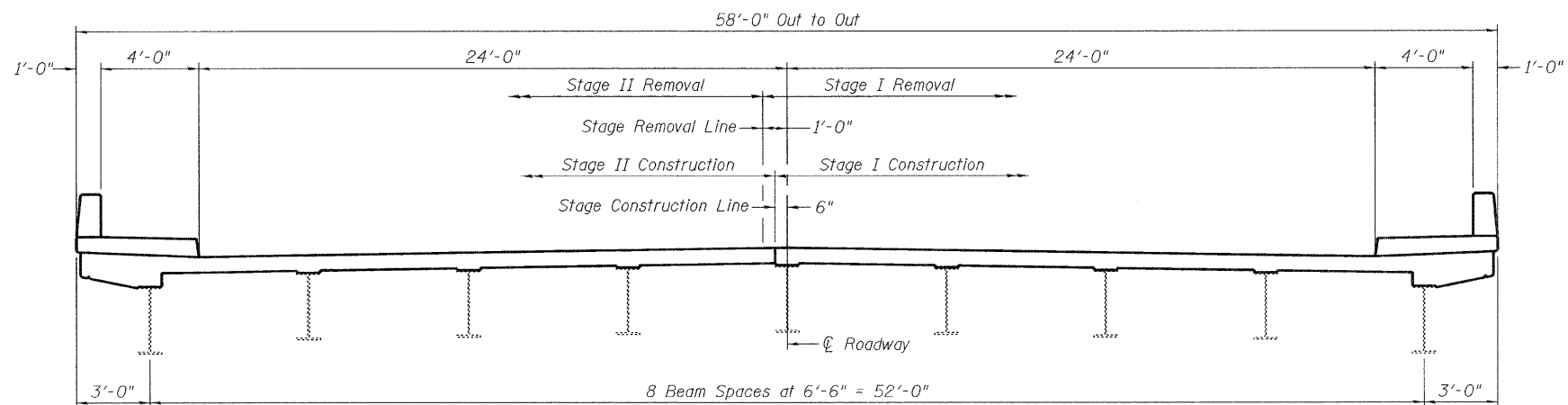
Bar	No.	Size	Length	Shape
a(E)	14	#5	29'-3"	—
a ₁ (E)	14	#5	28'-3"	—
c(E)	20	#5	2'-5"	—
c ₁ (E)	20	#5	4'-8"	—
d(E)	12	#4	5'-1"	—
d ₁ (E)	12	#6	4'-3"	—
h(E)	8	#5	29'-0"	—
h ₁ (E)	8	#5	28'-0"	—
Bar Splicer			Each	22
Concrete Removal			Cu. Yd.	15.3
Concrete Superstructure			Cu. Yd.	15.3
Reinforcement Bars, Epoxy Coated			Lbs.	1580

DESIGNED - G.G.E.	EXAMINED - <i>Joanne F. J...</i>	DATE - January 11, 2010
CHECKED - I.J.L.	PASSED - <i>ACTING ENGINEER OF STRUCTURAL SERVICES</i>	
DRAWN - Drew Christopher	PASSED - <i>ACTING ENGINEER OF BRIDGES AND STRUCTURES</i>	
CHECKED - G.G.E. I.J.L.		

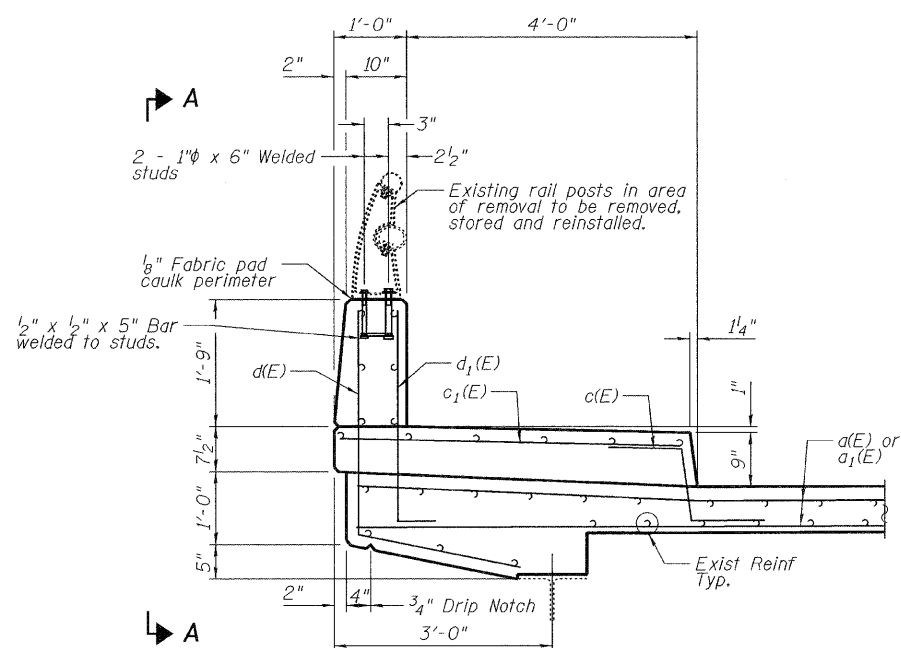
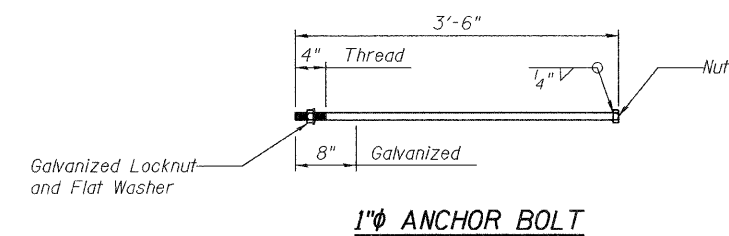
**STATE OF ILLINOIS
DEPARTMENT OF TRANSPORTATION**

ABUTMENT JOINT DETAILS
SN 081-0047
SHEET NO. 3 OF 11 SHEETS

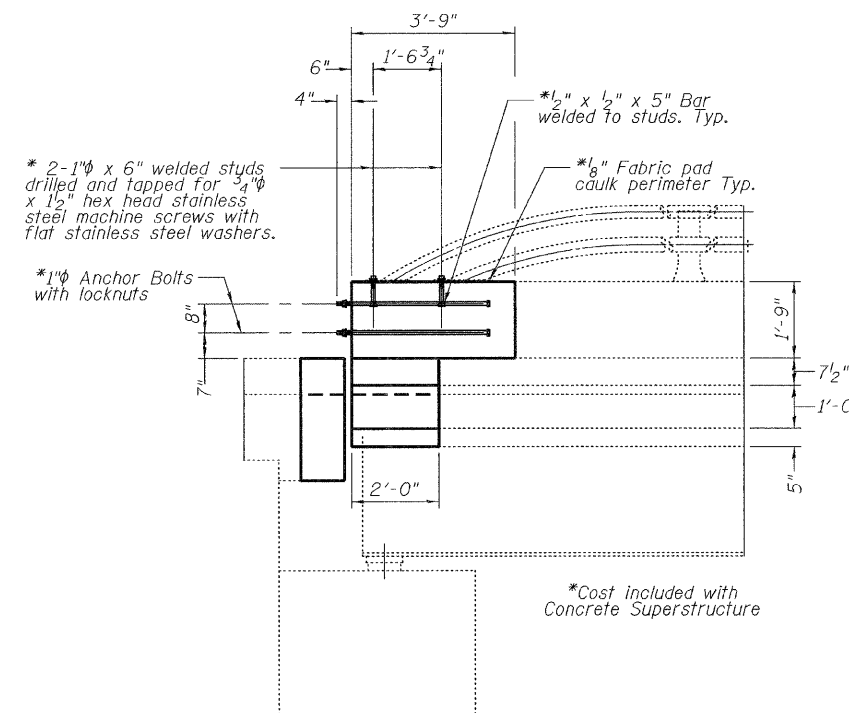
F.A.U. RTE.	SECTION	COUNTY	TOTAL SHEETS	SHEET NO.
5834	(115 BR)M	Rock Island	22	14
CONTRACT NO. 64G70				
ILLINOIS FED. AID PROJECT				



DECK CROSS SECTION NEAR ABUTMENT
(Looking South)



PARAPET AND SIDEWALK SECTION



VIEW A-A

DESIGNED - G.G.E.
CHECKED - L.J.L.
DRAWN - **Drew Christopher**
CHECKED - G.G.E. L.J.L.

EXAMINED
PASSED
ACTING ENGINEER OF STRUCTURAL SERVICES
ACTING ENGINEER OF BRIDGES AND STRUCTURES

DATE - January 11, 2010

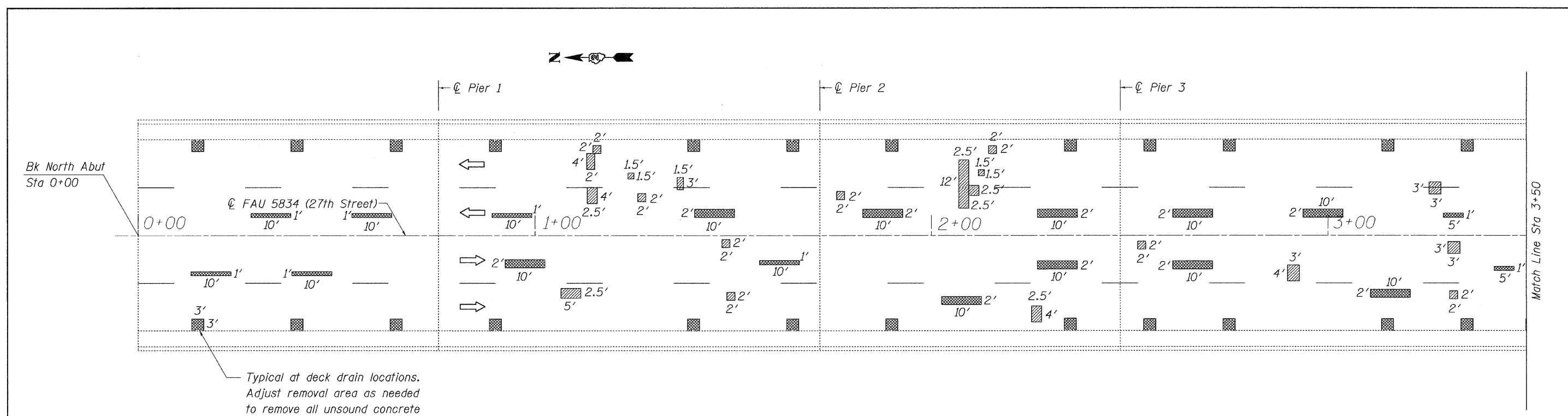
STATE OF ILLINOIS
DEPARTMENT OF TRANSPORTATION

PIER 6 JOINT DETAILS
SN 081-0047

SHEET NO. 4 OF 11 SHEETS

F.A.U. RTE.	SECTION	COUNTY	TOTAL SHEETS	SHEET NO.
5834	(115 BR)M	Rock Island	22	15
CONTRACT NO. 64G70			ILLINOIS FED. AID PROJECT	

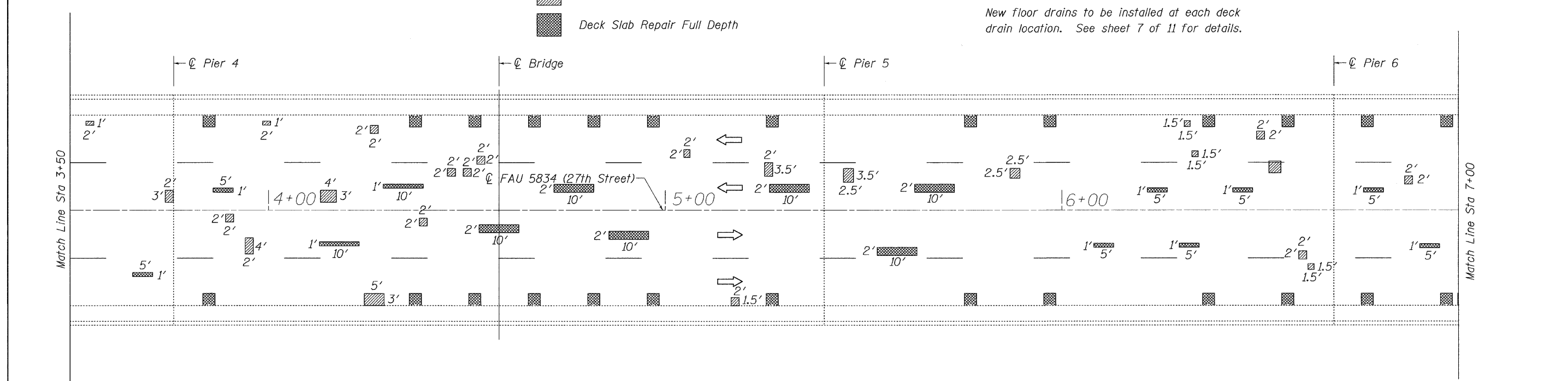
SLT-92-001-10



Typical at deck drain locations. Adjust removal area as needed to remove all unsound concrete at deck drain locations, including areas under sidewalk.

- Legend**
- Deck Slab Repair Partial Depth
 - Deck Slab Repair Full Depth

New floor drains to be installed at each deck drain location. See sheet 7 of 11 for details.



DECK REPAIR PLAN

Date of Survey: 7/12/2010

Some dimensions omitted for clarity. Refer to table on next sheet for dimensions of estimated repairs. Patches shown are potential areas of deck slab repair. Actual areas to be determined in the field.

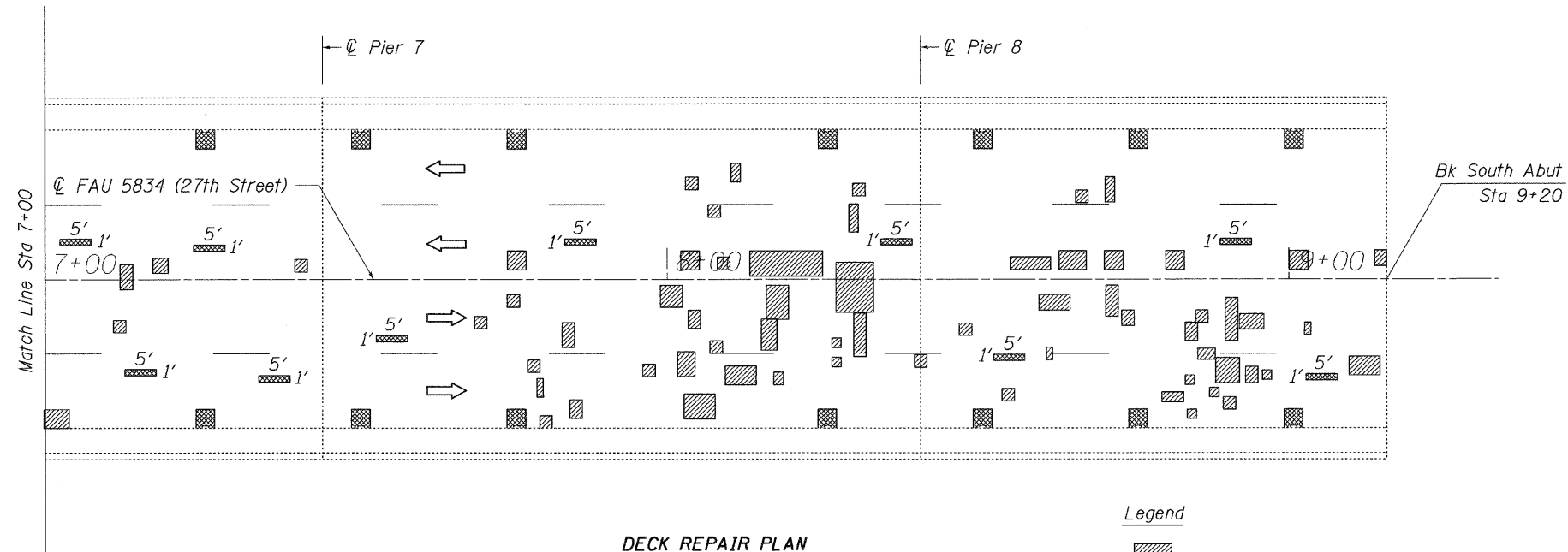
DESIGNED - G.G.E.	EXAMINED - <i>Joanne F. J. [Signature]</i>	DATE - January 11, 2011
CHECKED - I.J.L.	ACTING ENGINEER OF STRUCTURAL SERVICES	
DRAWN - Drew Christopher	PASSED - <i>Carl [Signature]</i>	
CHECKED - G.G.E. I.J.L.	ACTING ENGINEER OF BRIDGES AND STRUCTURES	

**STATE OF ILLINOIS
DEPARTMENT OF TRANSPORTATION**

**DECK REPAIR PLAN
SN 081-0047**

SHEET NO. 5 OF 11 SHEETS

F.A.U. RTE.	SECTION	COUNTY	TOTAL SHEETS	SHEET NO.
5834	(115BR)M	Rock Island	22	16
CONTRACT NO. 64G70			ILLINOIS FED. AID PROJECT	



DECK REPAIR PLAN
Date of Survey: 7/12/2010
Dimensions omitted for clarity. Refer to schedule below.

Legend

- Deck Slab Repair Partial Depth
- Deck Slab Repair Full Depth

Bill of Material

Item	Quantity	Unit
Deck Slab Repair Partial Depth	96	Sq Yd
Deck Slab Repair Full Depth, Type I	10	Sq Yd
Deck Slab Repair Full Depth, Type II	109	Sq Yd

Partial Depth Patching Schedule

Northbound					Southbound														
Station	Offset Left of CL (feet)	X (feet)	Y (feet)	Patch Area (square feet)	Station	Offset Right of Curbline (feet)	X (feet)	Y (feet)	Patch Area (square feet)	Station	Offset Right of CL (feet)	X (feet)	Y (feet)	Patch Area (square feet)	Station	Offset Left of Curbline (feet)	X (feet)	Y (feet)	Patch Area (square feet)
1+13	12	2.5	4		10 1+13	3.5	2	4		8 1+49	1	2	2		4 1+06	10.7	5	2.5	12.5
1+26	10.5	2	2		4 1+14	1.6	2.3	1.7	3.91	2+52.5	1.5	2	2		4 1+48	9.7	2	2	4
1+76	11	2	2		4 1+24	8.4	1.5	1.5	2.25	2+90	7.5	4	3		12 2+25	2.2	2.5	4	10
3+74	5	2	3		6 1+36	9.5	1.6	3	4.8	3+30	1.6	3	3		9 3+30	8	2	2	4
4+13	5	4	3		12 2+07	5.2	2.5	12	30	3+89	1	2	2		4 4+24	0	5	3	15
4+45	10	2	2		4 2+09.5	11.5	2.5	2.5	6.25	3+94	7	4	2		8 5+17	0	1.5	2	3
4+49	5	2	2		4 2+12	7.6	1.5	1.5	2.25	4+38	2	2	2		4 6+60	11.7	2	2	4
5+25	10.5	2	3.5		7 2+14	1.6	2	2	4	7+11	9	2	2		4 6+62	9	1.5	1.5	2.25
5+45	12	2.5	3.5		8.75 3+26	10.7	3	3	9	7+69	6	2	2		4 7+00	0	4	3	12
5+87	10.5	2.5	2.5		6.25 3+54	1.6	2	1	2	7+74	2.5	2	2		4 7+74	0	2	2	4
6+86	10.5	2	2		4 3+99	1.6	2	1	2	7+83	7	4	2		8 7+77	11	2	2	4
7+12	8.5	2	4		8 4+26	2.7	2	2	4	7+99	1	3.5	3.5	12.25	7+79	8	1	3	3
7+17	2.4	2.4	2		4.8 4+53	10.4	2	2	4	8+03	5	3	2		6 7+84	1.6	2	3	6
7+40	3.4	2	2		4 5+05	8.7	1.5	2	3	8+07	10	2	2		4 7+96	8.3	2	2	4
7+74	3.2	3	3		9 6+31	1.5	1.5	1.5	2.25	8+14.5	6	5	2.5	12.5	8+01	8.3	2.8	4	11.2
8+02	4.5	3	3		9 6+32	9.1	1.5	1.5	2.25	8+16	1	5.5	3.6	19.8	8+02	1.5	5	4	20
8+08	4.5	2	2		4 6+49	4.2	2	2	4	8+25	-3	8	5	40	8+07	12	2	2	4
8+13	3.5	9.5	4		38 6+52	11.7	3	3	9	8+25	10	2	2		4 8+09	7	5	3	15
8+22	4.5	3	5.7		17.1 8+03	7.6	2	2	4	8+29.5	7	7	2		14 8+17	7	1.6	2	3.2
8+27	4.5	6	8		48 8+10	5.4	1.5	3	4.5	8+47	10	2	2		4 8+26	9.9	1.5	1.5	2.25
8+55	2.7	6.5	2		13 8+30	8.6	2	2	4	8+60	2.5	2.5	5	12.5	8+29	11.9	1.5	4.5	6.75
8+63	3.5	4.4	3		13.2 8+66	9.7	2	2	4	8+70	-1	5	2	10	8+40	9.8	2	2	4
8+70	4.5	3	3		9 8+71	7.6	1.5	4	6	8+73	5	2.5	2	5	8+54	4.4	2	2	4
8+80	4.5	3	3		9					8+81	7	3	2		6 8+61	11	1	2	2
9+00	4.5	3	3		9					8+85	5	2	2		4 8+79	4.2	3.5	1.6	5.6
9+19	4.5	1.7	2.6	4.42						8+90	3	7	2	14	8+83	1.7	1.5	1.5	2.25
										8+92	8	2.5	4	10	8+83	7	1.5	1.5	2.25
										9+10	7	2	1	2	8+85	11	2.8	1.8	5.04
															8+86	5	1.5	1.5	2.25
															8+88	7.3	3.8	4	15.2
															8+89	3	2	2	4
															8+93	7.3	2	2.6	5.2
															8+95	7.8	1.5	1.5	2.25
															9+10	8.5	5	3	15
Total Area (square feet)				269.52					125.46					245.05					219.19

DESIGNED - G.G.E.
CHECKED - I.J.L.
DRAWN - **Drew Christopher**
CHECKED - G.G.E. I.J.L.

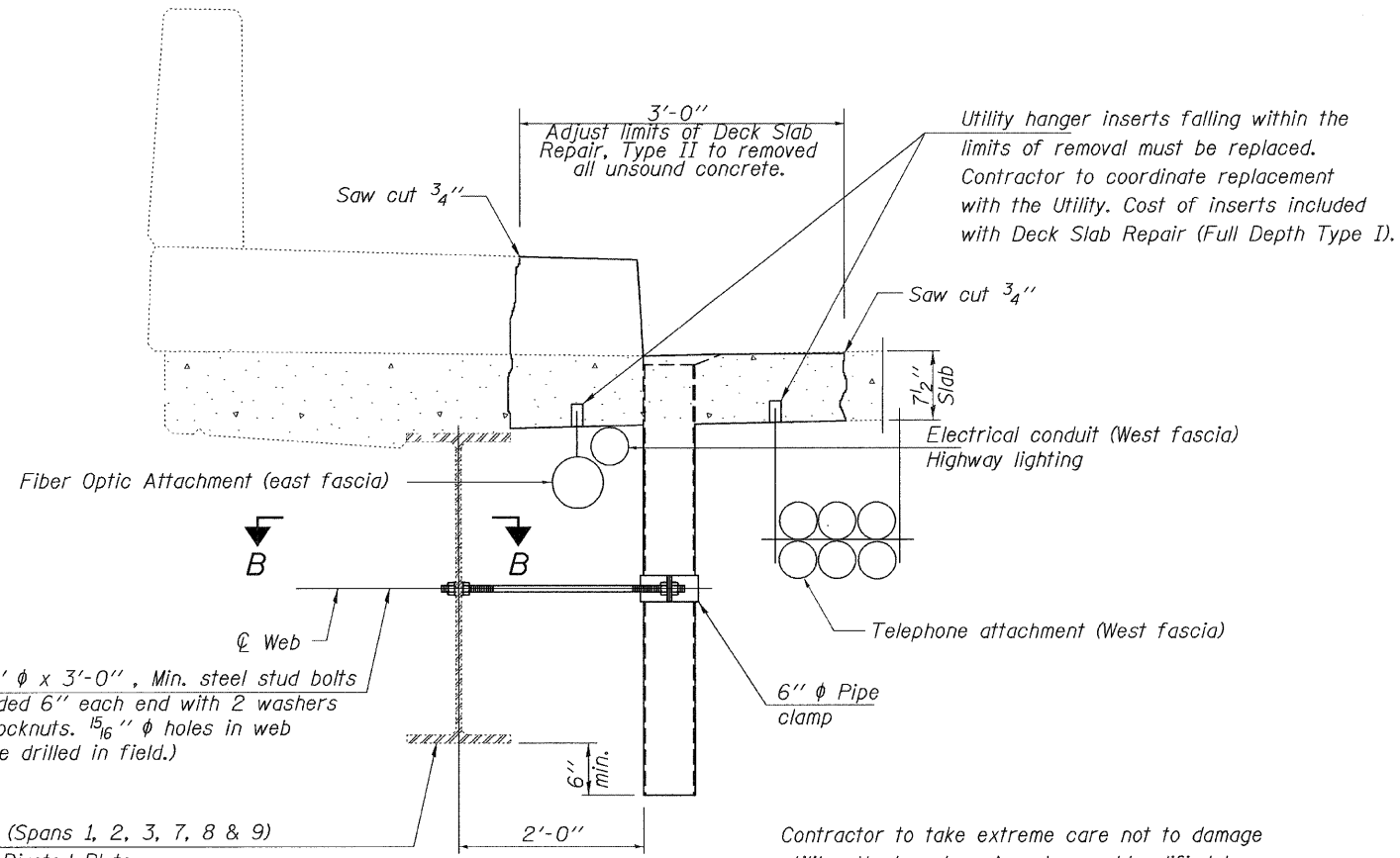
EXAMINED *Jaime F. J. [Signature]* DATE - January 11, 2011
ACTING ENGINEER OF STRUCTURAL SERVICES
PASSED *Carl [Signature]*
ACTING ENGINEER OF BRIDGES AND STRUCTURES

STATE OF ILLINOIS
DEPARTMENT OF TRANSPORTATION

DECK REPAIR PLAN
SN 081-0047
SHEET NO. 6 OF 11 SHEETS

F.A.U. RTE.	SECTION	COUNTY	TOTAL SHEETS	SHEET NO.
5834	(115BR)M	Rock Island	22	17

CONTRACT NO. 64G70
[ILLINOIS] FED. AID PROJECT

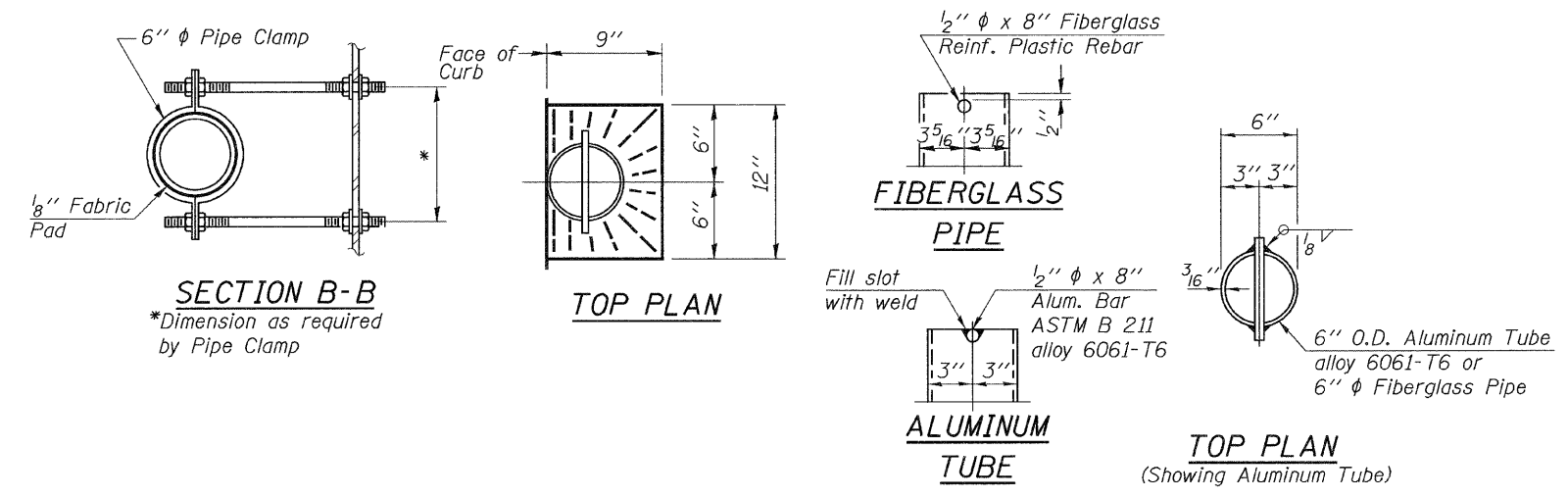


⌀ 3/4" φ x 3'-0" , Min. steel stud bolts threaded 6" each end with 2 washers and locknuts. 15/16" φ holes in web (To be drilled in field.)

33WF125 (Spans 1, 2, 3, 7, 8 & 9)
63" Web Riveted Plate
Girder (Spans 4, 5 & 6)

Contractor to take extreme care not to damage utility attachments. Any damaged/modified hangers or utilities to be restored to original condition at the contractor's expense.

SECTION THRU PARAPET



SECTION B-B
*Dimension as required by Pipe Clamp

TOP PLAN

FIBERGLASS PIPE

ALUMINUM TUBE

TOP PLAN
(Showing Aluminum Tube)

BILL OF MATERIAL

Item	Unit	Quantity
Floor Drains	Each	64

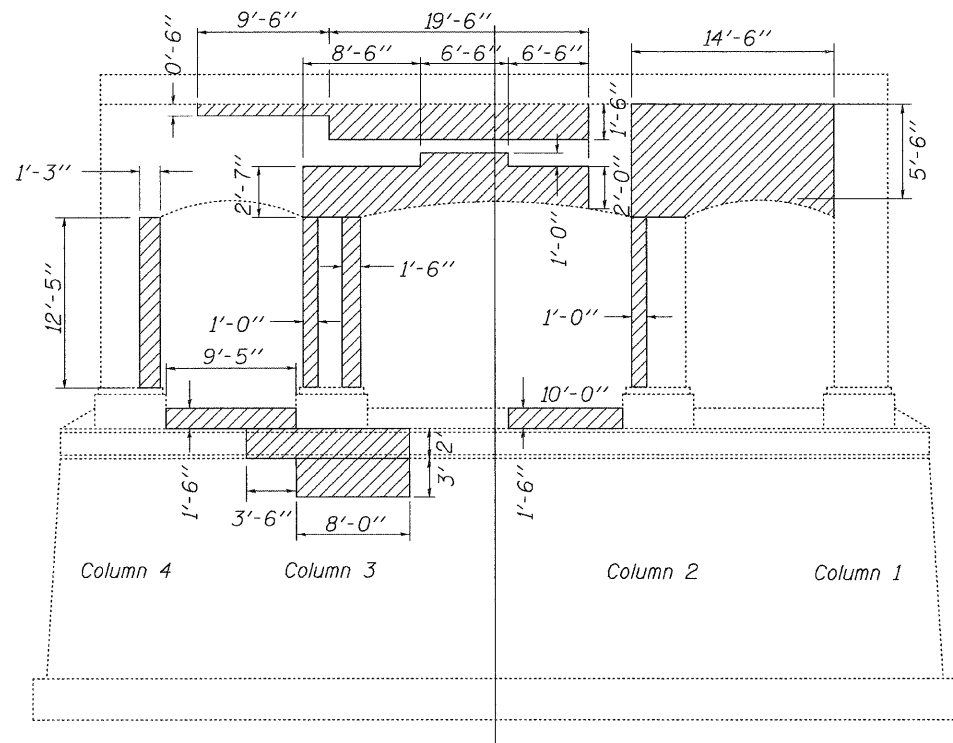
DESIGNED - G.G.E.	EXAMINED - <i>James F. Jolly</i>	DATE - January 11, 2011
CHECKED - I.J.L.	ACTING ENGINEER OF STRUCTURAL SERVICES	
DRAWN - Drew Christopher	PASSED - <i>Carl Krueger</i>	
CHECKED - G.G.E. I.J.L.	ACTING ENGINEER OF BRIDGES AND STRUCTURES	

**STATE OF ILLINOIS
DEPARTMENT OF TRANSPORTATION**

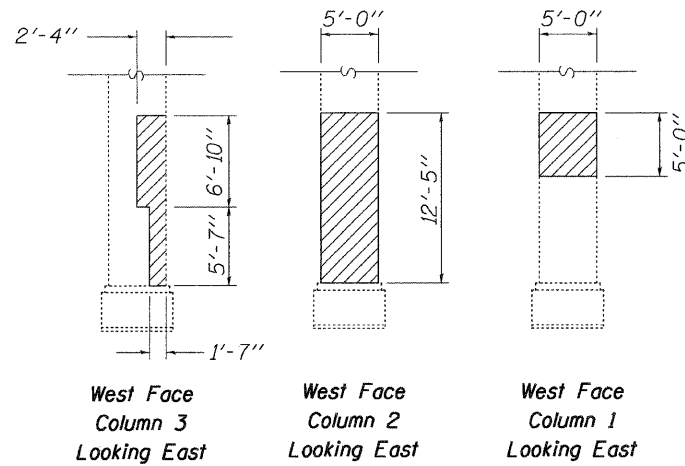
**FLOOR DRAIN DETAILS
STRUCTURE NO. 081-0047**

SHEET NO. 7 OF 11 SHEETS

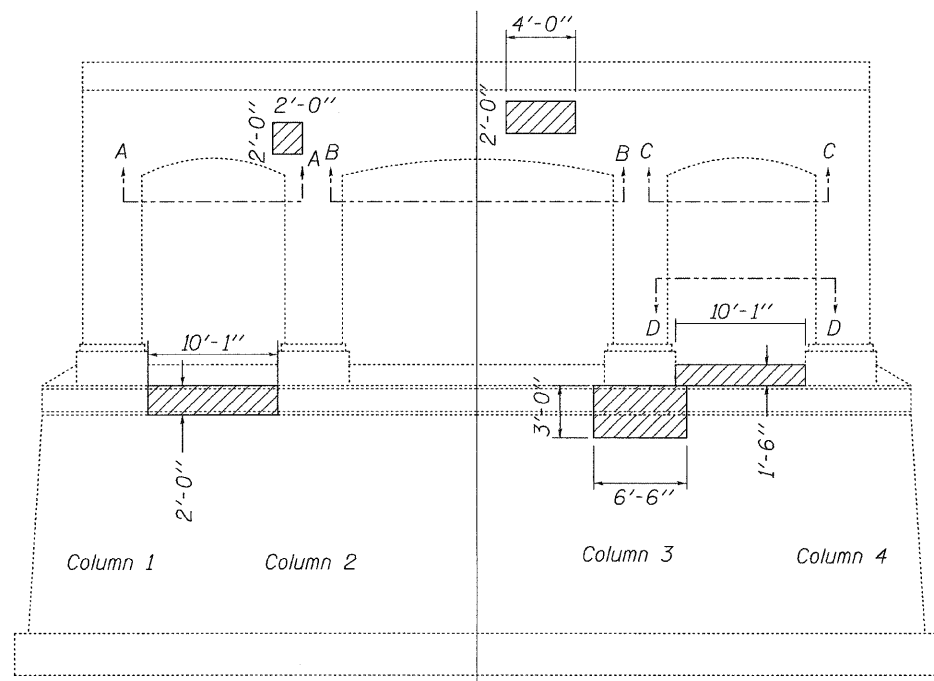
F.A.U. RTE. 5834	SECTION (I15BR)M	COUNTY Rock Island	TOTAL SHEETS 22	SHEET NO. 18
ILLINOIS FED. AID PROJECT				



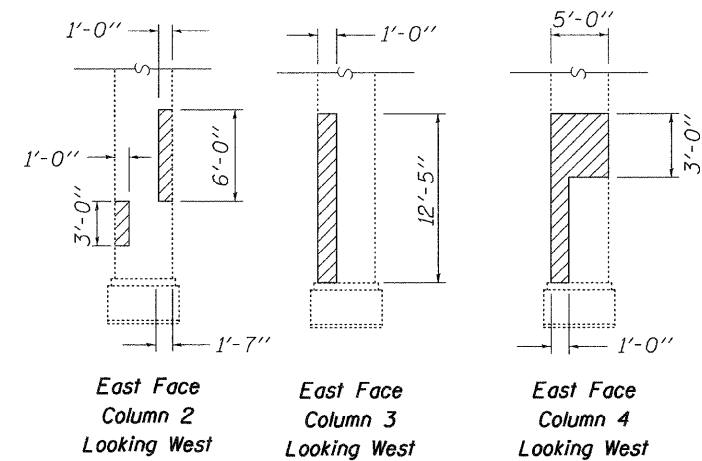
Pier 3
(Looking North)



West Face Column 3 Looking East
West Face Column 2 Looking East
West Face Column 1 Looking East

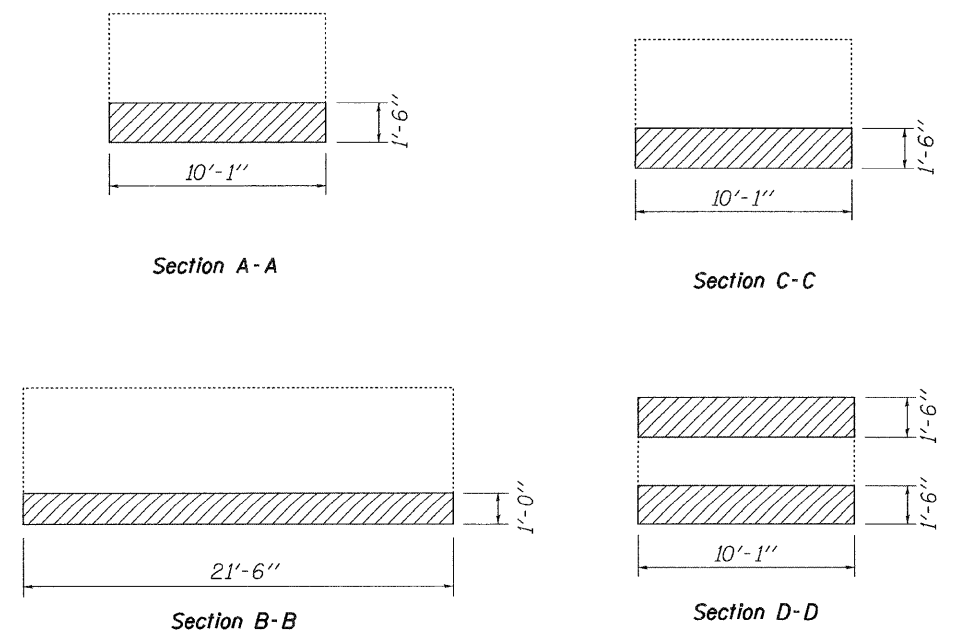


Pier 3
(Looking South)



East Face Column 2 Looking West
East Face Column 3 Looking West
East Face Column 4 Looking West

Structural Repair of Concrete



PIER 3 REPAIR PLAN

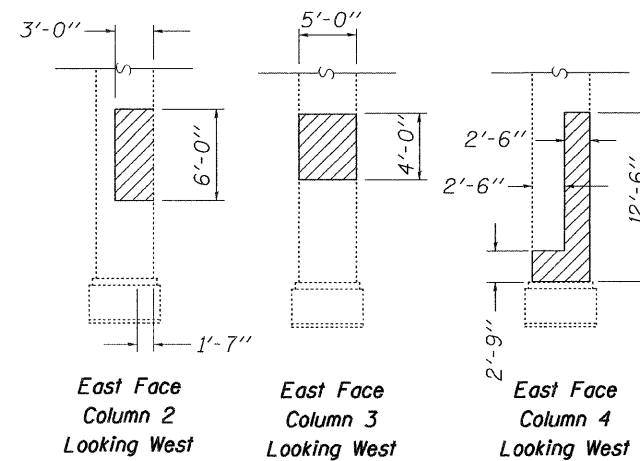
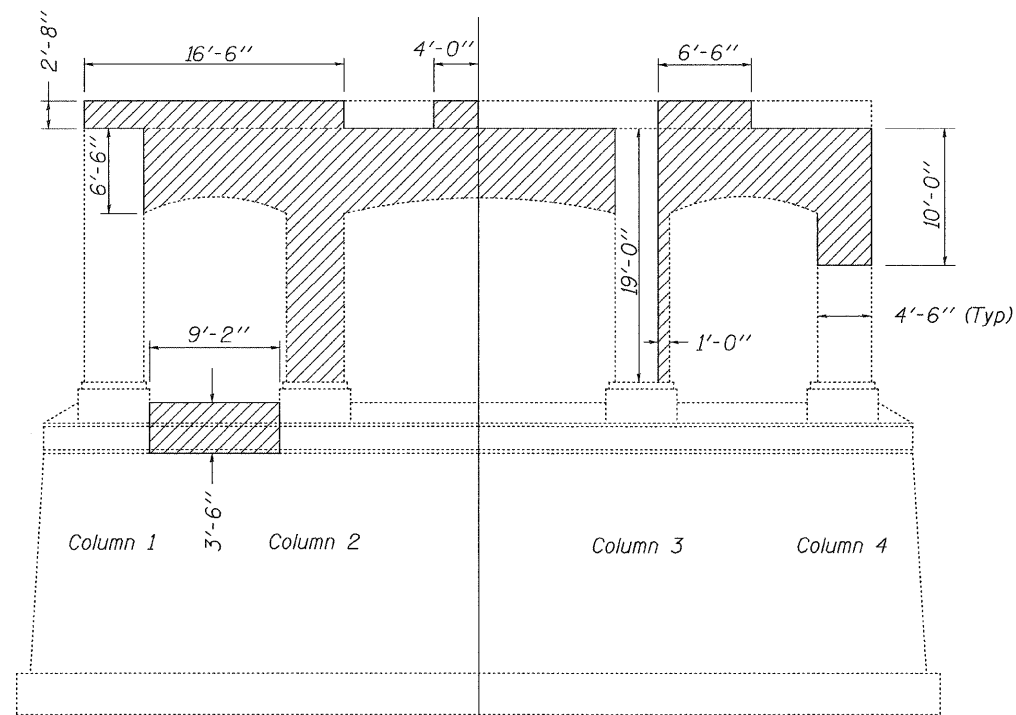
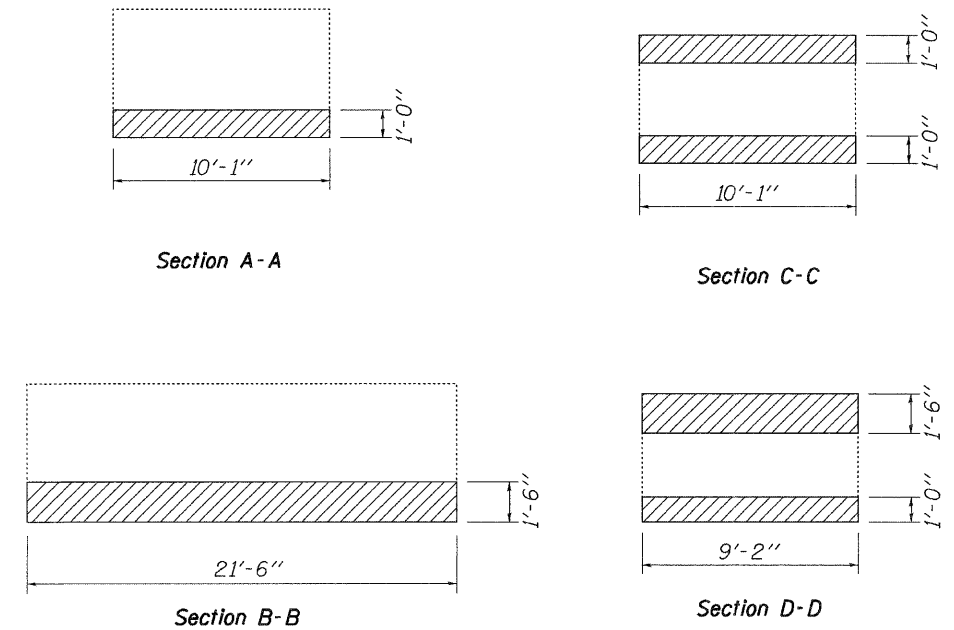
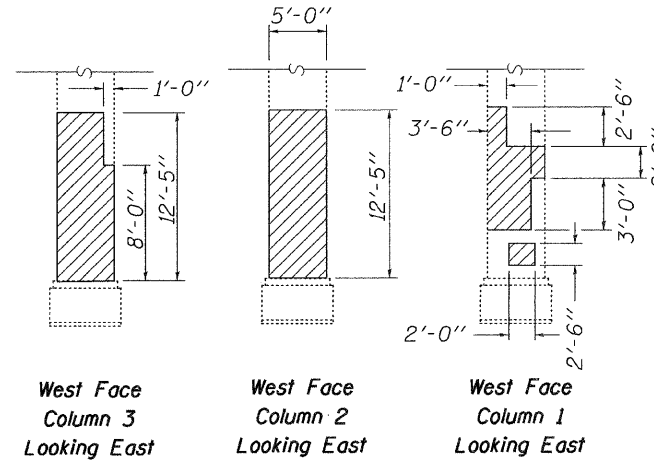
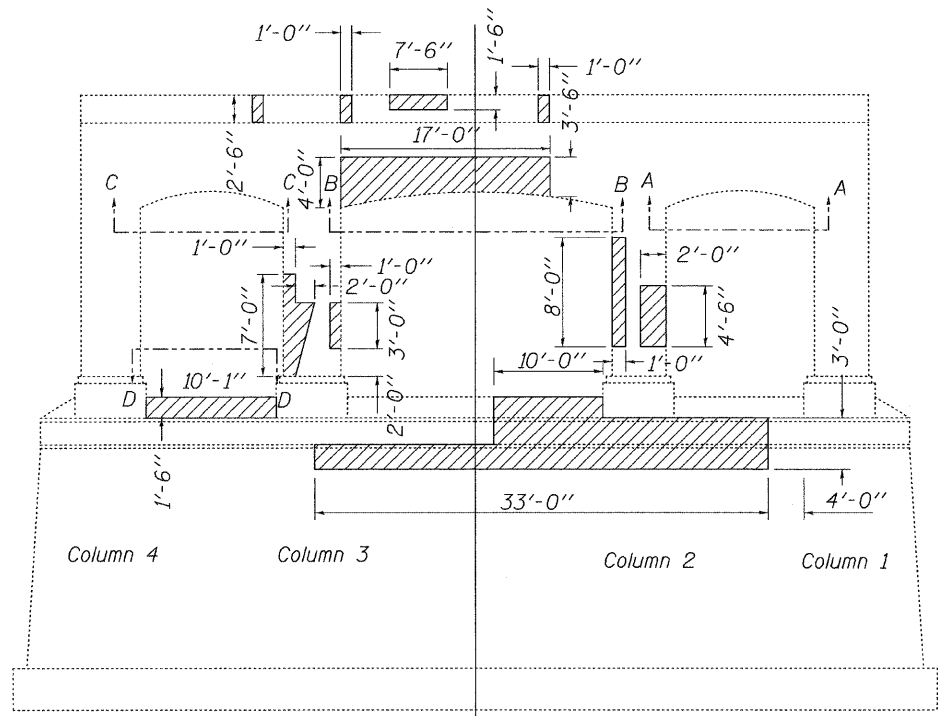
DESIGNED - G.G.E.	EXAMINED - <i>Joanne F. J...</i>	DATE - January 11, 2011
CHECKED - I.J.L.	ACTING ENGINEER OF STRUCTURAL SERVICES	
DRAWN - Drew Christopher	PASSED - <i>Carl...</i>	
CHECKED - G.G.E. I.J.L.	ACTING ENGINEER OF BRIDGES AND STRUCTURES	

STATE OF ILLINOIS
DEPARTMENT OF TRANSPORTATION

PIER 3 REPAIR PLAN
SN 081-0047

SHEET NO. 8 OF 11 SHEETS

F.A.U. RTE.	SECTION	COUNTY	TOTAL SHEETS	SHEET NO.
5834	(115BR)M	Rock Island	22	19
CONTRACT NO. 64G70				
(ILLINOIS) FED. AID PROJECT				



Structural Repair of Concrete

	Unit	Pier 3	Pier 6	Total
STRUCTURAL REPAIR OF CONCRETE (DEPTH EQUAL TO OR LESS THAN 5 IN.)	Sq. Ft.	601	965	1566

PIER 6 REPAIR PLAN

DESIGNED - G.G.E.	EXAMINED - <i>James F. J. [Signature]</i>	DATE - January 11, 2011
CHECKED - I.J.L.	PASSED - <i>[Signature]</i>	
DRAWN - Drew Christopher		
CHECKED - G.G.E. I.J.L.		

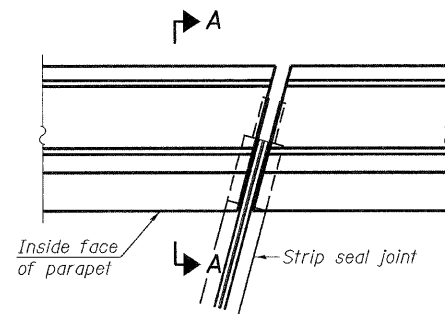
**STATE OF ILLINOIS
DEPARTMENT OF TRANSPORTATION**

**PIER 6 REPAIR PLAN
SN 081-0047**

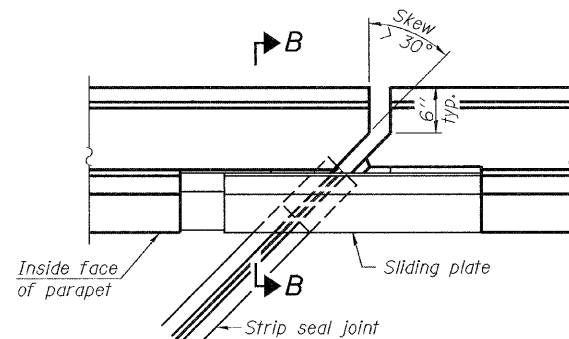
SHEET NO. 9 OF 11 SHEETS

F.A.U. RTE.	SECTION	COUNTY	TOTAL SHEETS	SHEET NO.
5834	(115BR)M	Rock Island	22	20

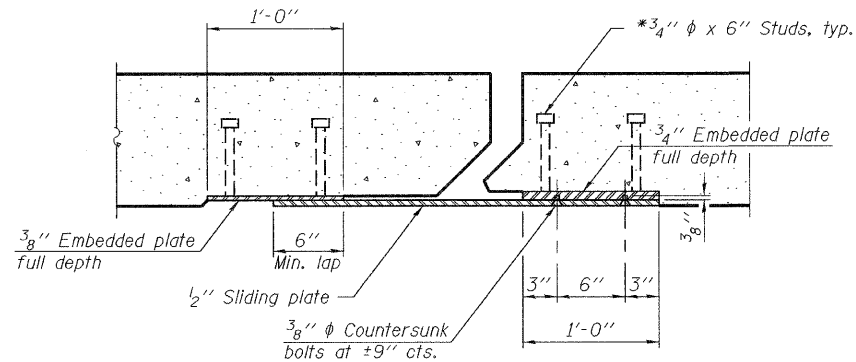
CONTRACT NO. 64G70
ILLINOIS FED. AID PROJECT



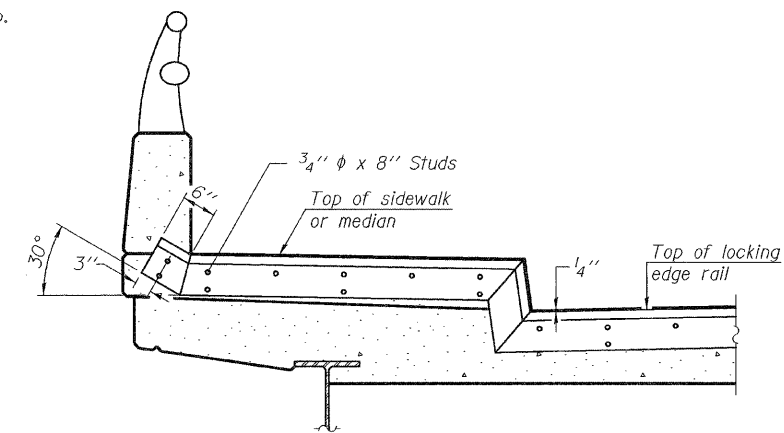
PLAN
(For skews $\leq 30^\circ$)



PLAN
(For skews $> 30^\circ$)
Showing point block

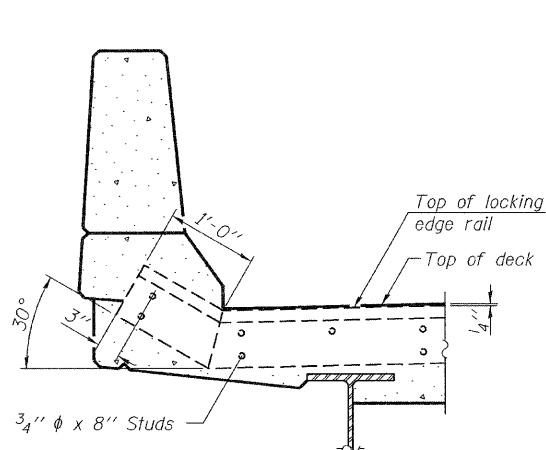


SECTION C-C

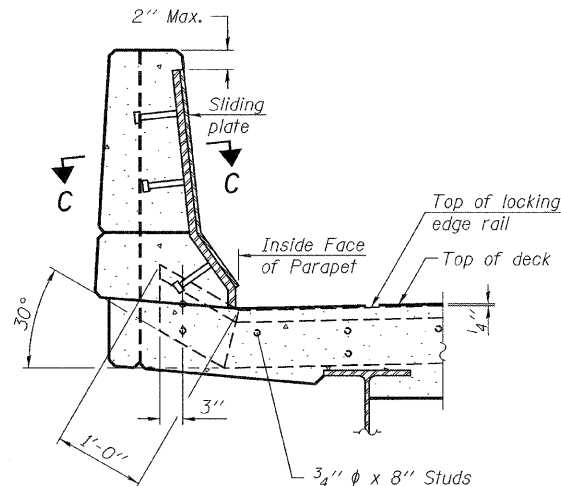


TYPICAL END TREATMENT AT SIDEWALK OR MEDIAN

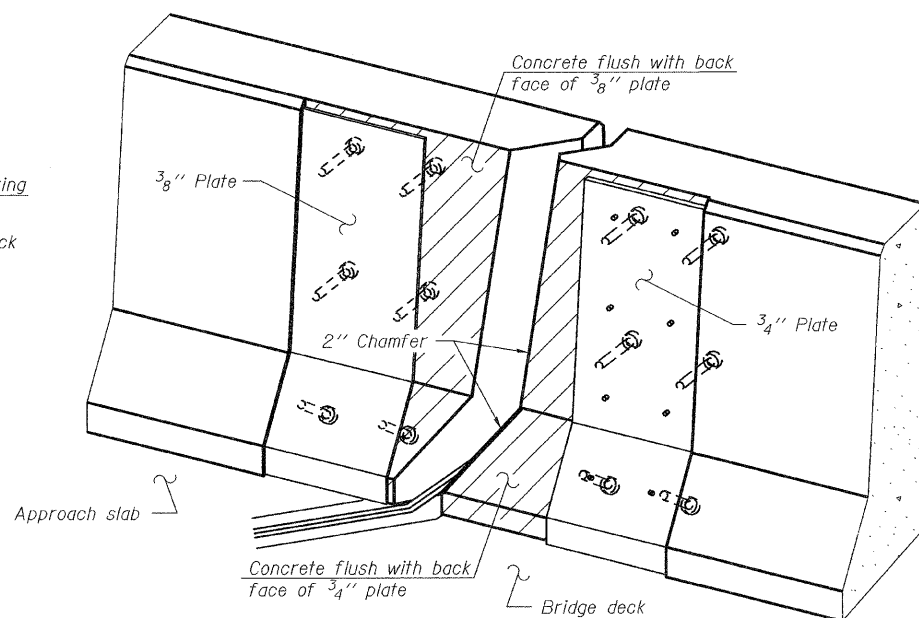
Shorter plates with a single row of studs at 12" cts. may be necessary on medians which are shallower than 9". See manufacturer's recommendation.



SECTION A-A



SECTION B-B



TRIMETRIC VIEW
(Showing back plates only)

Notes:

The strip seal shall be made continuous and shall have a minimum thickness of 1/4". The configuration of the strip seal shall match the configuration of the Locking Edge Rails. Open or "webbed" strip seal gland configurations are not permitted. The gland shall be sized for a maximum rated movement of 4 inches.

The Locking Edge Rails depicted are conceptual only, except for the minimum dimensions shown. The actual configuration of the Locking Edge Rails and matching strip seal may vary from manufacturer to manufacturer. Flanged edge rails will not be allowed. Locking Edge Rails may be spliced at slope discontinuities.

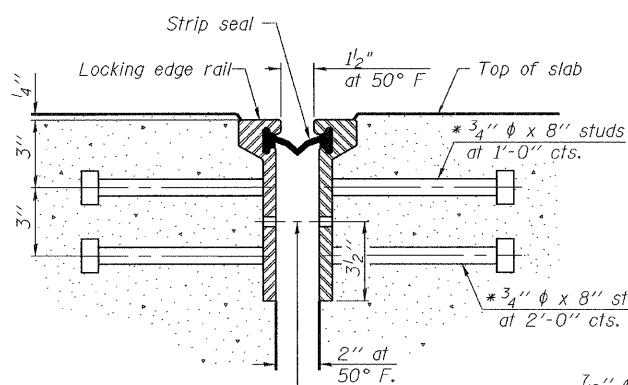
The manufacturer's recommended installation methods shall be followed.

The joint opening and deck dimensions detailed on the superstructure are based on a rolled rail expansion joint. If the Contractor elects to use the welded rail expansion joint, the opening and deck dimensions shall be modified according to the dimensions detailed on this sheet. Required modifications shall be made at no additional cost to the State.

All steel components shall be galvanized after fabrication according to Article 520.03 of the Standard Specifications.

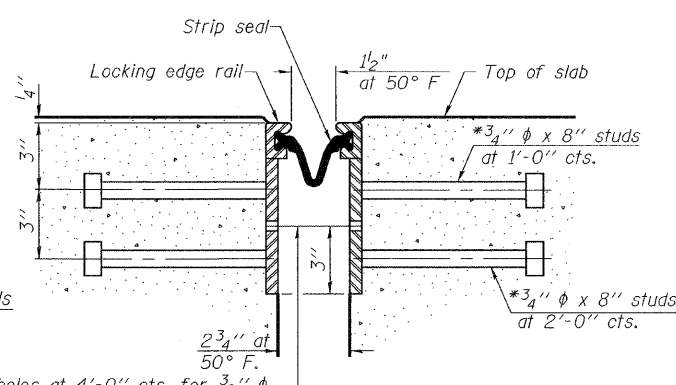
Maximum space between rail segments at stage lines shall be 3/16", sealed with a suitable sealant.

Parapet plates and anchorage studs for skews $> 30^\circ$ included in the cost of Preformed Joint Strip Seal.



SECTION THRU ROLLED RAIL JOINT

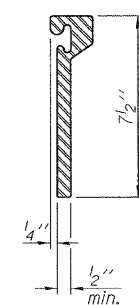
7/16" ϕ holes at 4'-0" cts. for 3/8" ϕ bolts. All bolts shall be burned, sawed, or chipped off flush with the plates after forms are removed, typ.



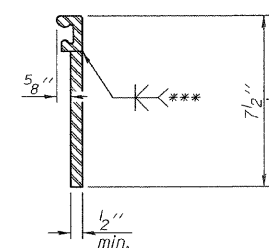
SECTION THRU WELDED RAIL JOINT

7/16" ϕ holes at 4'-0" cts. for 3/8" ϕ bolts. All bolts shall be burned, sawed, or chipped off flush with the plates after forms are removed, typ.

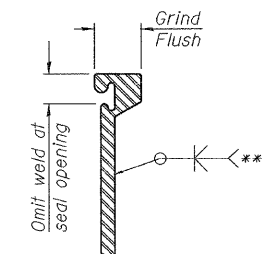
* Granular or solid flux filled headed studs conforming to Article 1006.32 of the Std. Specs., automatically end welded.



ROLLED EXTRUDED RAIL



WELDED RAIL



LOCKING EDGE RAIL SPLICE

The inside of the locking edge rail groove shall be free of weld residue.
Rolled rail shown, welded rail similar.

LOCKING EDGE RAILS

BILL OF MATERIAL

Item	Unit	Total
Preformed Joint Strip Seal	Foot	117

EJ-SSJ

7-1-10

DESIGNED - G.G.E.
CHECKED - I.J.L.
DRAWN - **Drew Christopher**
CHECKED - G.G.E. I.J.L.

EXAMINED
PASSED
ACTING ENGINEER OF STRUCTURAL SERVICES
ACTING ENGINEER OF BRIDGES AND STRUCTURES

DATE - January 11, 2010

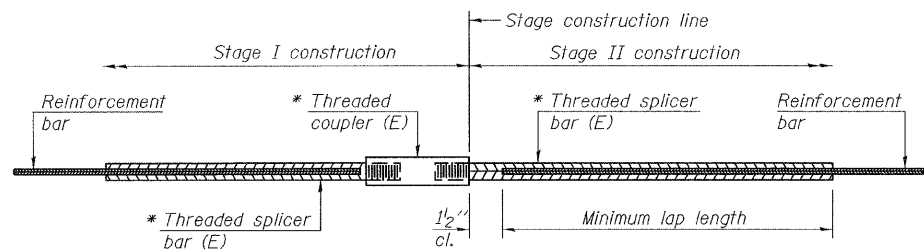
STATE OF ILLINOIS DEPARTMENT OF TRANSPORTATION

STRIP SEAL DETAILS SN 081-0047

SHEET NO. 10 OF 11 SHEETS

F.A.U. RTE.	SECTION	COUNTY	TOTAL SHEETS	SHEET NO.
5834	(115 BRIM)	Rock Island	22	21

CONTRACT NO. 64G70
ILLINOIS FED. AID PROJECT



STANDARD BAR SPLICER ASSEMBLY

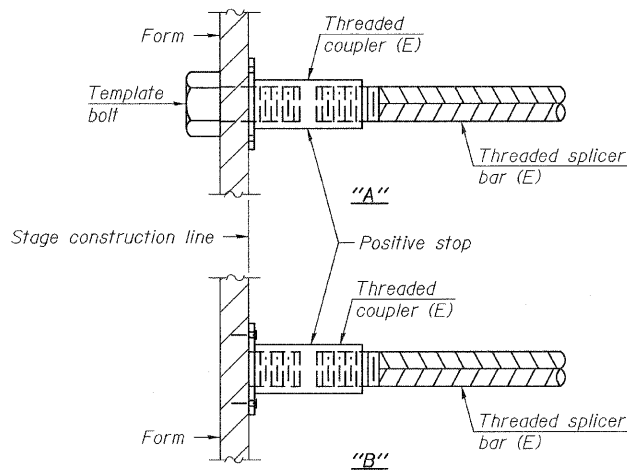
Bar size to be spliced	Minimum Lap Lengths				
	Table 1	Table 2	Table 3	Table 4	Table 5
3, 4	1'-5"	1'-11"	2'-1"	2'-4"	2'-3"
5	1'-9"	2'-5"	2'-7"	2'-11"	2'-10"
6	2'-1"	2'-11"	3'-1"	3'-6"	3'-4"
7	2'-9"	3'-10"	4'-2"	4'-8"	4'-6"
8	3'-8"	5'-1"	5'-5"	6'-2"	5'-10"
9	4'-7"	6'-5"	6'-10"	7'-9"	7'-5"

- Table 1: Black bar, 0.8 Class C
- Table 2: Black bar, Top bar lap, 0.8 Class C
- Table 3: Epoxy bar, 0.8 Class C
- Table 4: Epoxy bar, Top bar lap, 0.8 Class C
- Table 5: Epoxy bar, Top bar lap, Class B

Threaded splicer bar length = min. lap length + 1/2" + thread length

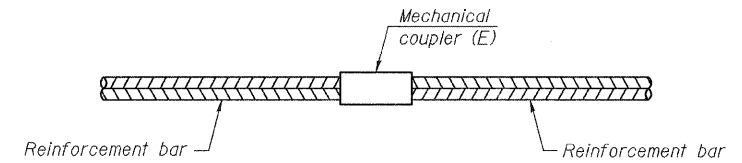
* Epoxy not required on Bar Splicer Assembly components used in conjunction with black bars.

Location	Bar size	No. assemblies required	Table for minimum lap length
Abutments	#5	22	3



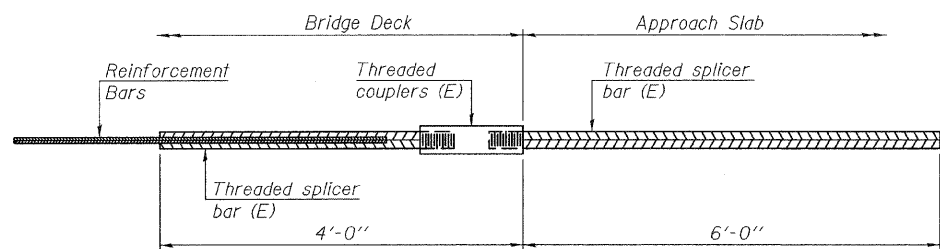
INSTALLATION AND SETTING METHODS

"A" : Set bar splicer assembly by means of a template bolt.
 "B" : Set bar splicer assembly by nailing to wood forms or cementing to steel forms.
 (E) : Indicates epoxy coating.



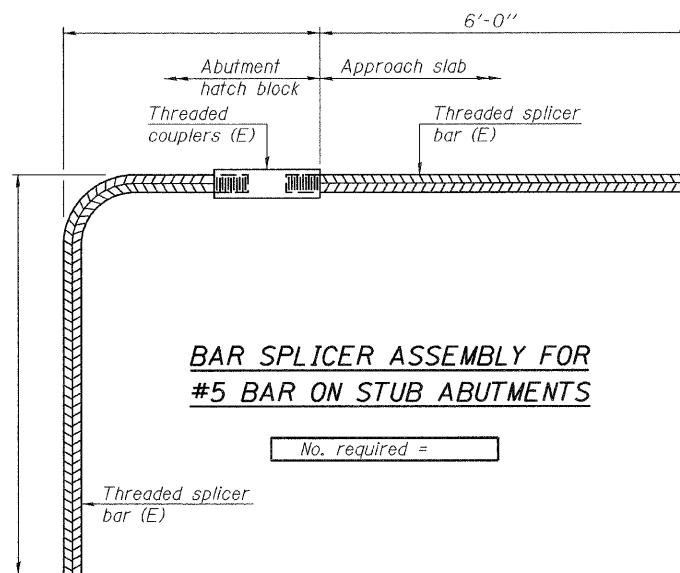
STANDARD MECHANICAL SPLICER

Location	Bar size	No. assemblies required



BAR SPLICER ASSEMBLY FOR #5 BAR ON INTEGRAL OR SEMI-INTEGRAL ABUTMENTS

No. required =



BAR SPLICER ASSEMBLY FOR #5 BAR ON STUB ABUTMENTS

No. required =

NOTES

Splicer bars shall be deformed with threaded ends and have a minimum 60 ksi yield strength.
 All reinforcement shall be lapped and tied to the splicer bars.
 Bar splicer assemblies shall be epoxy coated according to the requirements for reinforcement bars. See Section 508 of the Standard Specifications.
 See special provision for Mechanical Splicers.
 See approved list of bar splicer assemblies and mechanical splicers for alternatives.

BSD-1

7-1-10

DESIGNED - G.G.E.	EXAMINED - <i>Joanne F. J. [Signature]</i>	DATE - January 11, 2010
CHECKED - I.J.L.	ACTING ENGINEER OF STRUCTURAL SERVICES	
DRAWN - Drew Christopher	PASSED - <i>[Signature]</i>	
CHECKED - G.G.E. I.J.L.	ACTING ENGINEER OF BRIDGES AND STRUCTURES	

**STATE OF ILLINOIS
DEPARTMENT OF TRANSPORTATION**

**BAR SPLICER DETAILS
SN 081-0047**

F.A.U. RTE.	SECTION	COUNTY	TOTAL SHEETS	SHEET NO.
5834	(115 BR)M	Rock Island	22	22
CONTRACT NO. 64G70				

SHEET NO. 11 OF 11 SHEETS

ILLINOIS FED. AID PROJECT

SLT-92-001-10