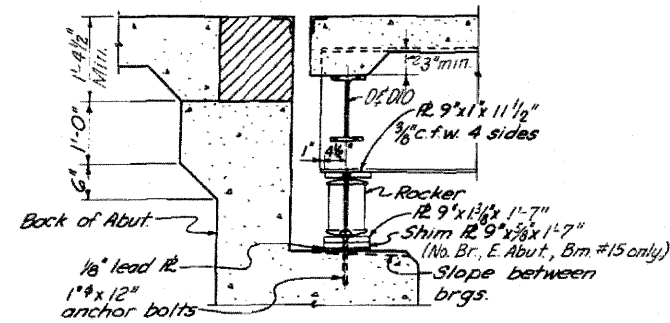


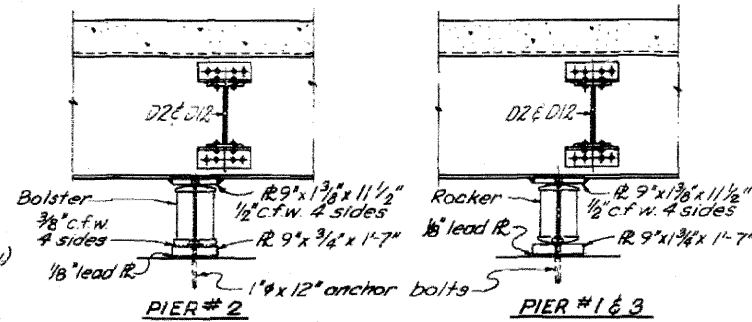
STATE OF ILLINOIS
DEPARTMENT OF PUBLIC WORKS & BUILDINGS
DIVISION OF HIGHWAYS

ROUTE NO.	SEC.	COUNTY	TOTAL SHEETS	SHEET NO.
FA-17	46-2	KANKAKEE	46	20
STA.	TO STA.			
FED. ROAD DIST. NO. 7	ILLINOIS FED. AID PROJECT			

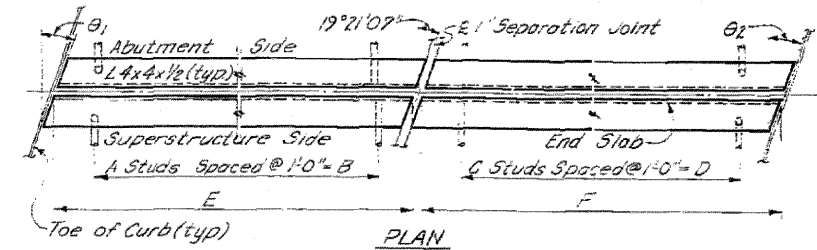
SHT. 10
OF 29



SECTION AT ABUTMENT

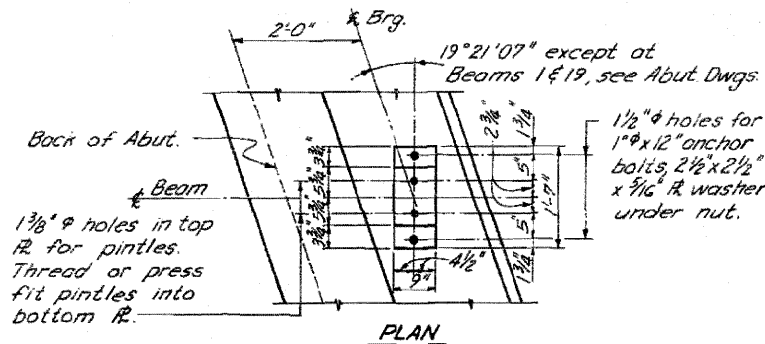


PIER #2 PIER #1 & 3

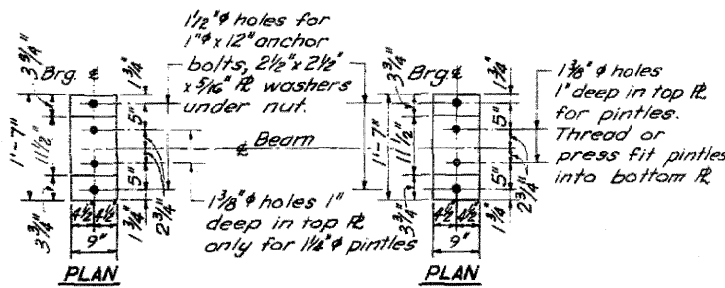


DIMENSIONS

LOCATION	A	B	C	D	E	F	θ ₁	θ ₂
S Bridge E. End	28	27'-0"	20	9'-5"	27'-8 3/4"	20'-0 1/2"	19°35'	25°52'
S Bridge W. End	22	21'-0"	28	27'-0"	22'-0 3/8"	28'-0"	16°35'	17°33'
N. Bridge E. End	22	21'-0"	29	28'-0"	22'-0 3/8"	29'-1 1/4"	20°39'	20°33'
N. Bridge W. End	30	29'-0"	20	19'-0"	29'-7 7/8"	19'-6 3/8"	17°25'	16°32'

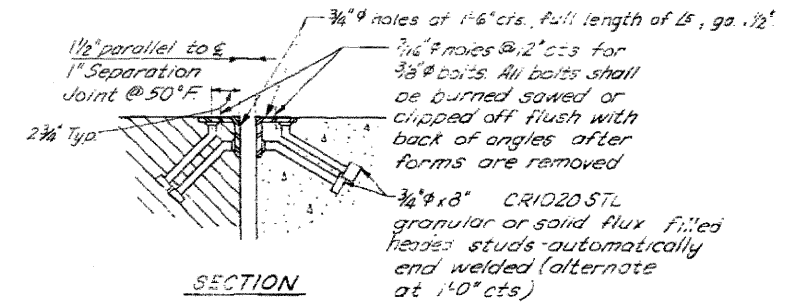


PLAN



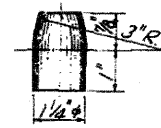
PLAN

PLAN

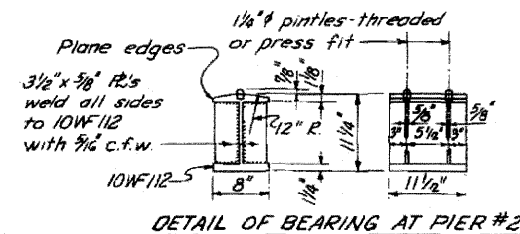


SECTION

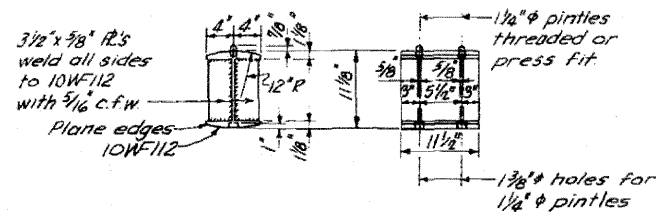
EXPANSION GUARD DETAILS



PINTLE

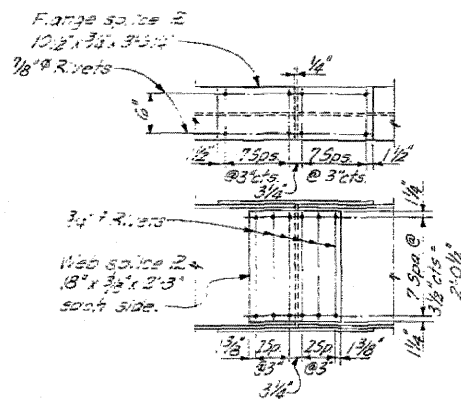


DETAIL OF BEARING AT PIER #2

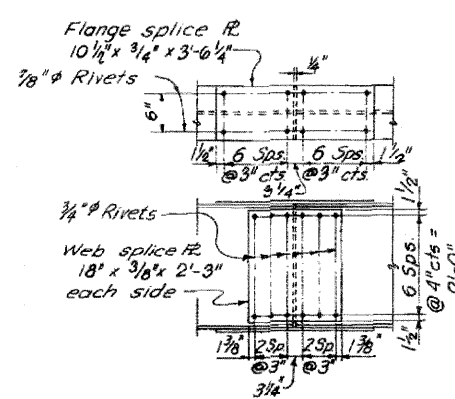


DETAIL OF BEARING AT PIER #1 & 3 AND ABUTMENTS

BEARING DETAILS



DETAIL OF SPLICE (30WF124)



DETAIL OF SPLICE (30WF116)

DESIGNED	LJL
CHECKED	D.N.
DRAWN	L.S.
CHECKED	LJL

EXAMINED	ENGINEER OF BRIDGE AND TRAFFIC STRUCTURES
PASSED	ENGINEER OF DESIGN
APPROVED	CHIEF HIGHWAY ENGINEER

ILLINOIS DIVISION OF HIGHWAYS
STRUCTURAL STEEL DETAILS
FAI. RTE. 57 SEC. 46-2 HB
KANKAKEE COUNTY
STA. 311+37.70

FOR INFORMATION ONLY

Added 4-26-11