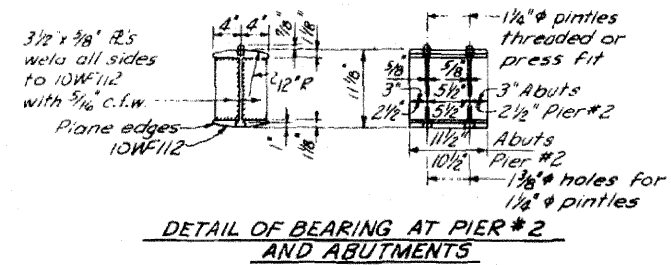
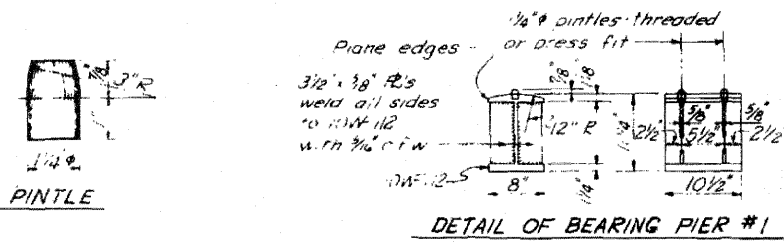
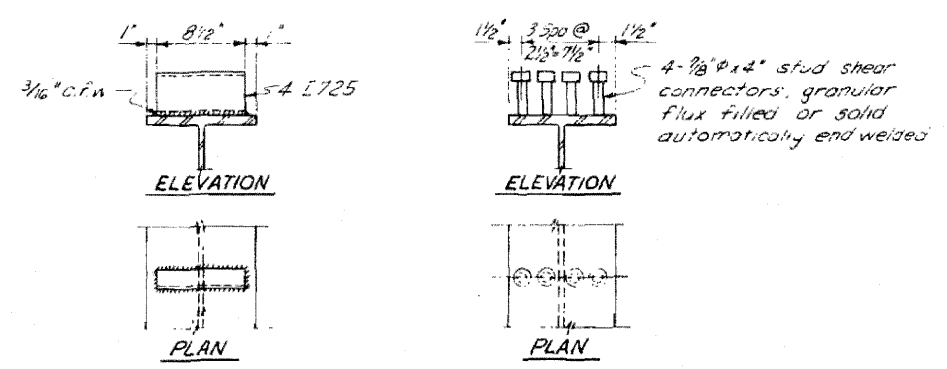
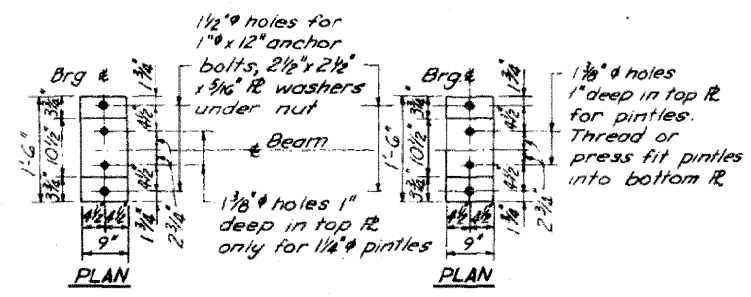
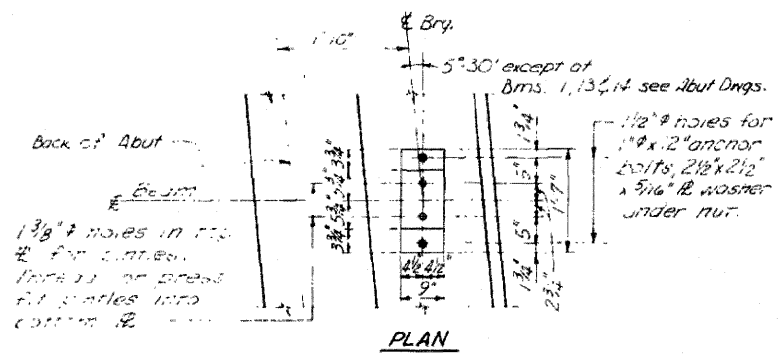
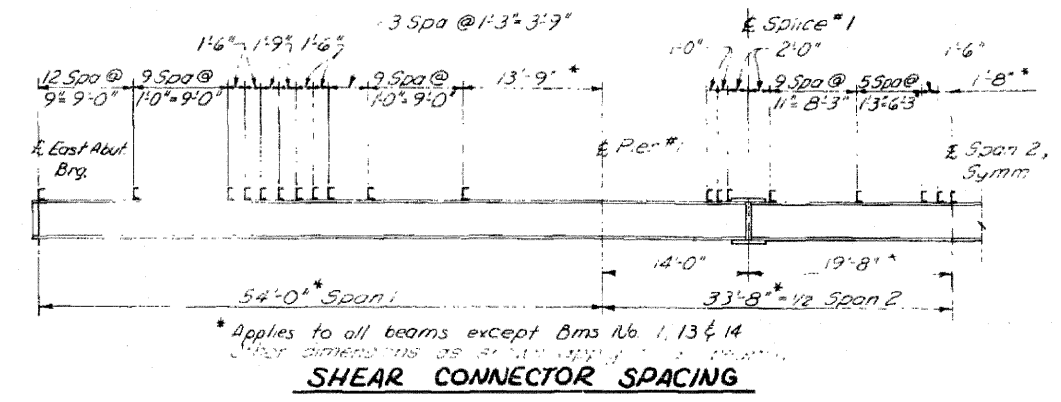
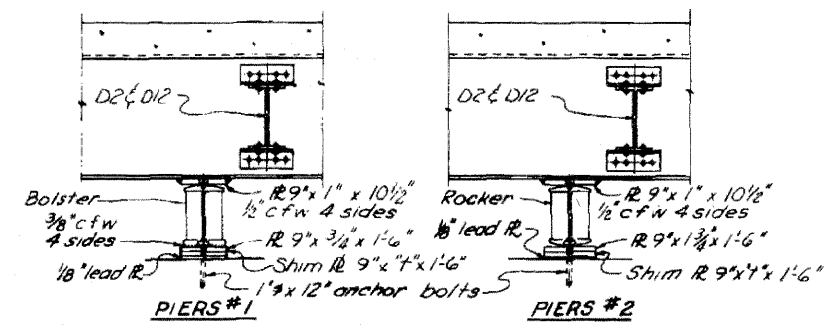
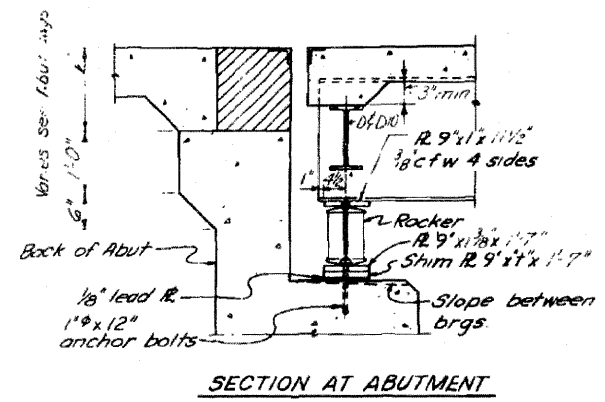


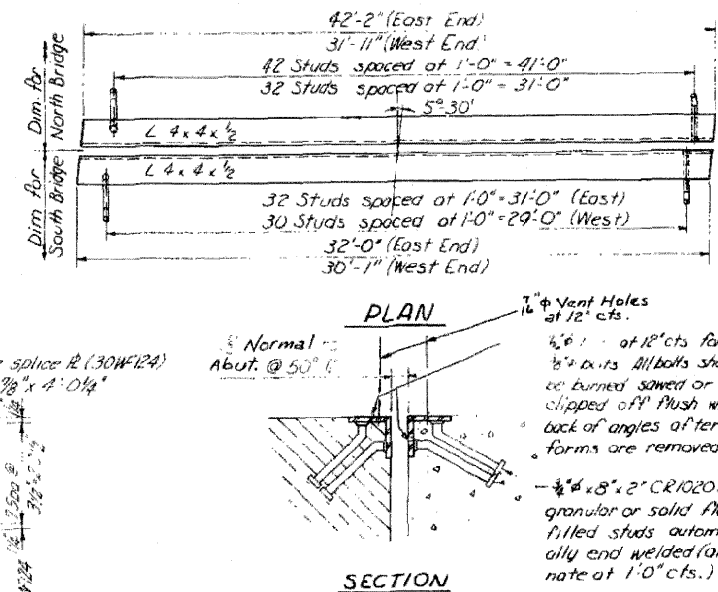
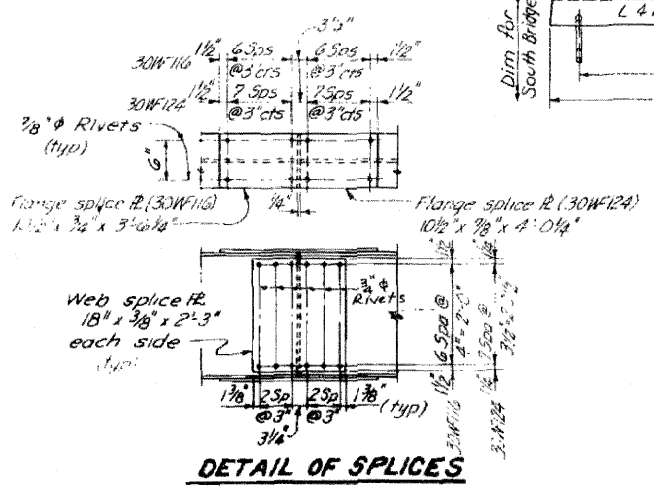
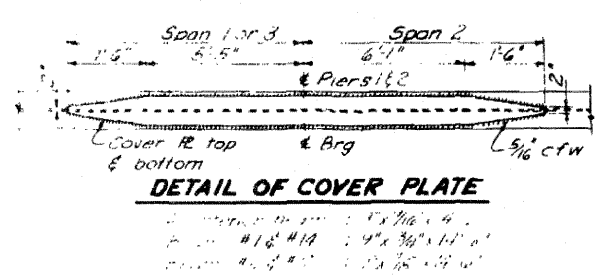
STATE OF ILLINOIS
DEPARTMENT OF PUBLIC WORKS & BUILDINGS
DIVISION OF HIGHWAYS

ROUTE NO	SEC	COUNTY	TOTAL SHEETS	SHEET NO
FAI 57	46	KANKAKEE	28	27
STA	TO STA			
FED ROAD DIST NO 7 ILLINOIS FED AID PROJECT 16-57-7(2) (JUN)				



BEARING DETAILS

LOCATION	Width x T x Length
SOUTH BRIDGE	
East Abut. Bm (4)	9' x 1/8" x 1'-7"
Pier #1 Bm (4)	9' x 1/8" x 1'-6"
Pier #2 Bm (4)	9' x 1/8" x 1'-6"
Pier #3 Bm (7)	4' x 3/8" x 1'-6"
West Abut. Bm (4)	9' x 1/8" x 1'-7"
NORTH BRIDGE	
West Abut. Bm (4)	9' x 1/8" x 1'-7"
West Abut. Bm (4)	9' x 1/8" x 1'-7"



DESIGNED	R.J.H.	EXAMINED	ENGINEER OF BRIDGE AND TRAFFIC STRUCTURES
CHECKED	L.J.L.	PASSED	ENGINEER OF DESIGN
DRAWN	L.S.	APPROVED	CHIEF HIGHWAY ENGINEER
CHECKED	L.J.L.		

TABLE OF T DIMENSIONS

DETAIL OF SPLICES

EXPANSION GUARD DETAILS

ILLINOIS DIVISION OF HIGHWAYS
STRUCTURAL STEEL DETAILS
FAI. RTE 57 SEC 46 - 2VB
KANKAKEE COUNTY
STA. 325 + 93.10

Added 4-26-11

FOR INFORMATION ONLY