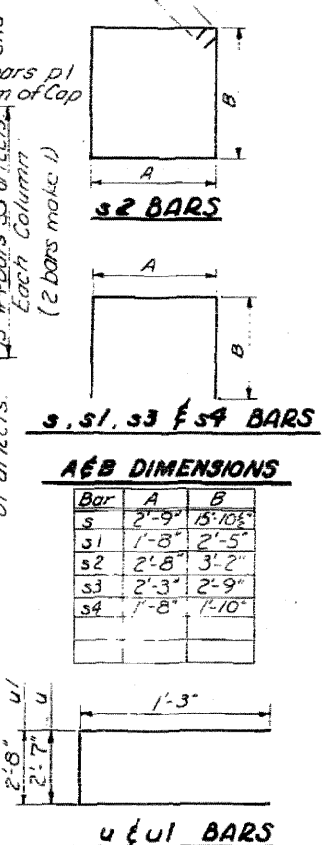
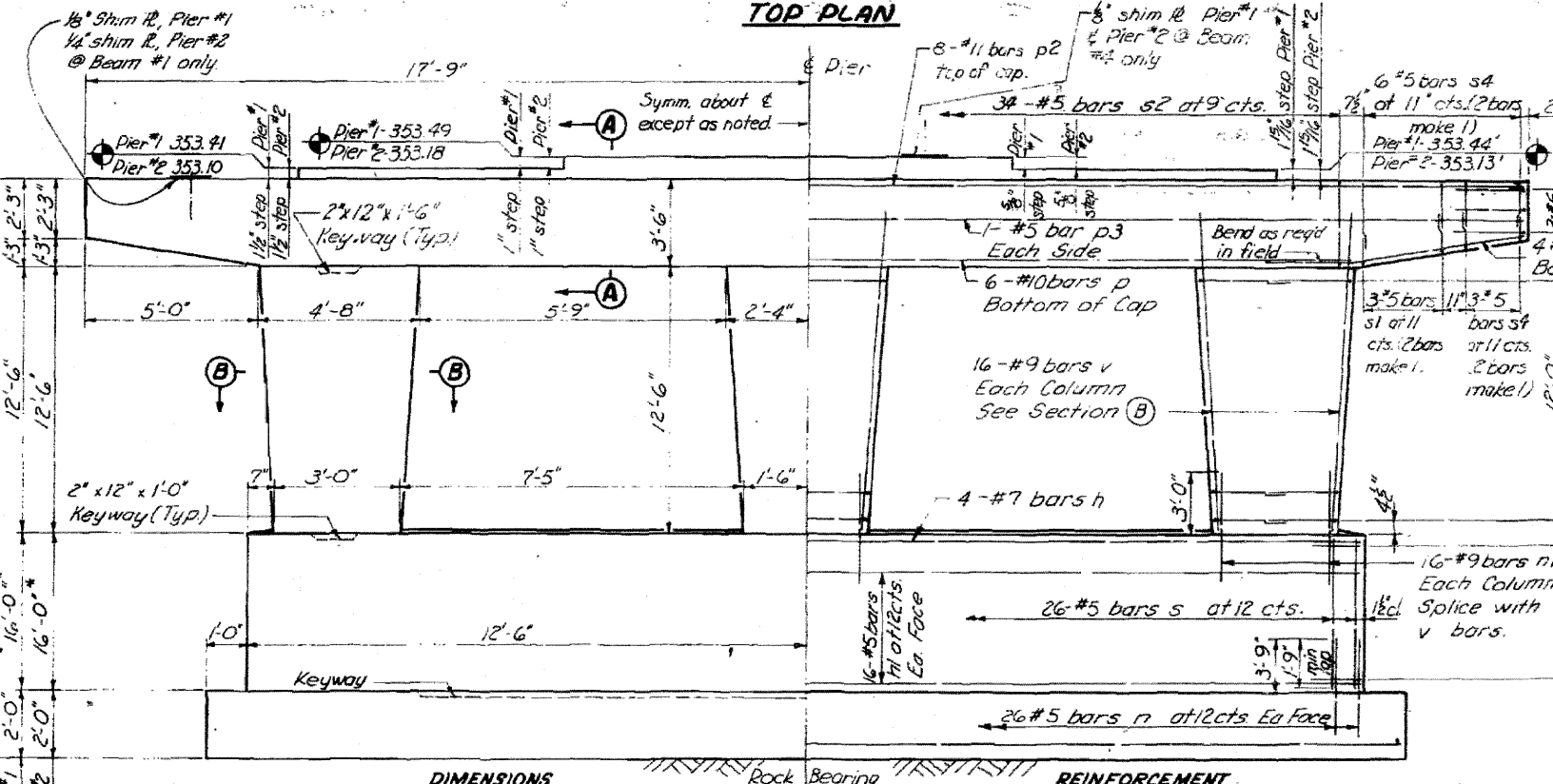
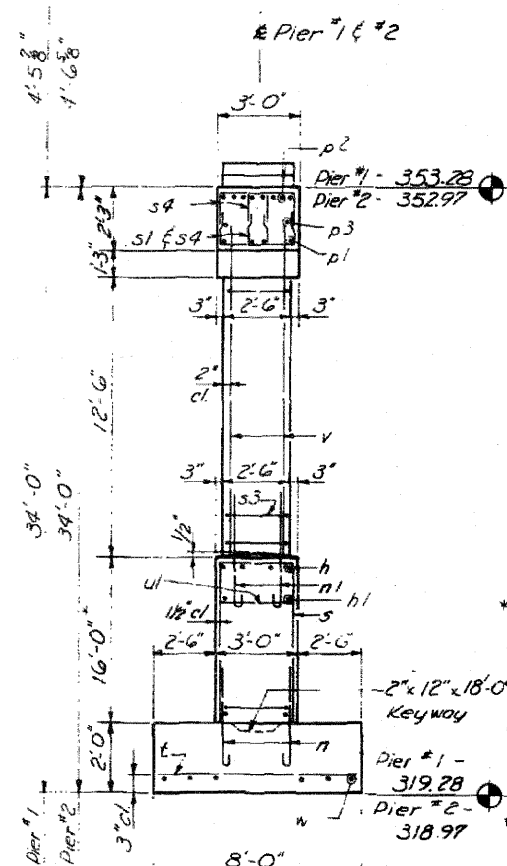
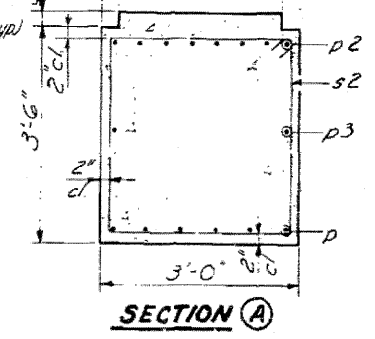
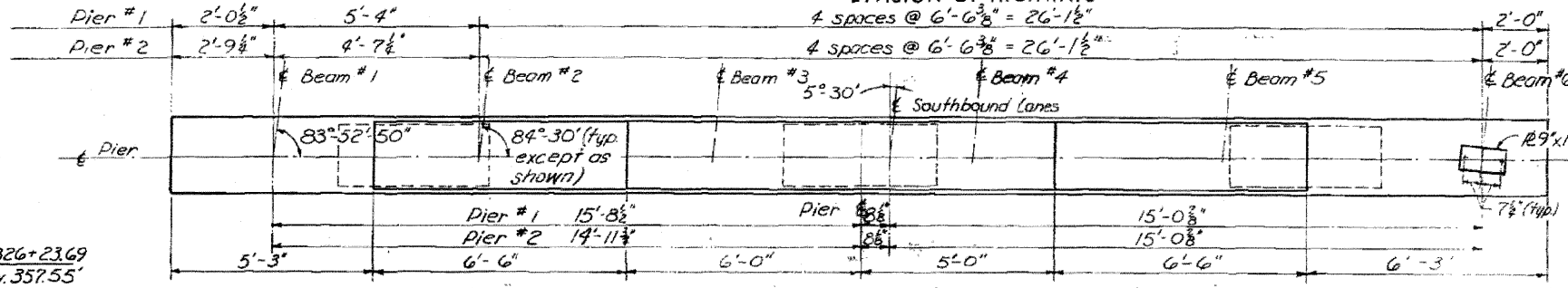


STATE OF ILLINOIS  
DEPARTMENT OF PUBLIC WORKS & BUILDINGS  
DIVISION OF HIGHWAYS

ROUTE NO.	SEC.	COUNTY	TOTAL SHEETS	SHEET NO.
FA 1-57	46-2VB	KANKAKEE	28	5
STA.	TO STA.			

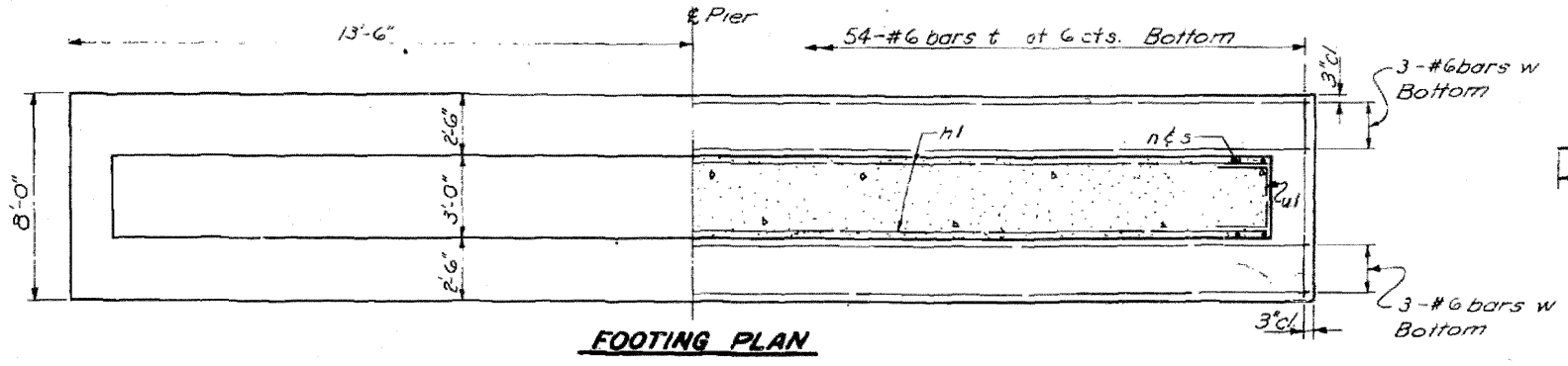


**PIERS NO. 1 & 2 SOUTH BRIDGE  
BILL OF MATERIAL - TWO PIERS**

Bar No.	Size	Length	Shape
h	#7	24'-9"	—
h1	#5	24'-9"	—
n	#5	6'-1"	↘
n	#9	6'-0"	↘
p	#10	25'-6"	—
p1	#5	6'-0"	—
p2	#11	35'-2"	—
p3	#5	35'-2"	—
s	#5	34'-6"	□
s1	#5	6'-6"	□
s2	#5	12'-8"	□
s3	#4	7'-9"	□
s4	#5	5'-4"	□
t	#6	7'-5"	—
u	#6	5'-1"	—
ul	#6	5'-2"	—
v	#9	15'-0"	—
w	#6	26'-5"	—

\*Dimension to be varied if field investigation reveals necessary change in bottom of footing elevation. Maximum allowable variation is in accordance with Art. 5.1.10(b) of the Standard Specifications.

**NOTE**  
Reinforcing detailed to allow for change in elevation in accordance with Art. 5.1.10 (b) of the Standard Specifications.



DESIGNED VNS	EXAMINED
CHECKED D.N.	ENGINEER OF BRIDGE AND TRAFFIC STRUCTURES
DRAWN JLC	PASSED
CHECKED KJH	ENGINEER OF DESIGN
	APPROVED
	CHIEF HIGHWAY ENGINEER

ILLINOIS DIVISION OF HIGHWAYS  
PIERS NO 1 & 2, SOUTH BRIDGE  
FAI RTE. 57 SEC. 46-2VB  
KANKAKEE COUNTY  
STA. 325+93.10

Added 4-26-11  
FOR INFORMATION ONLY