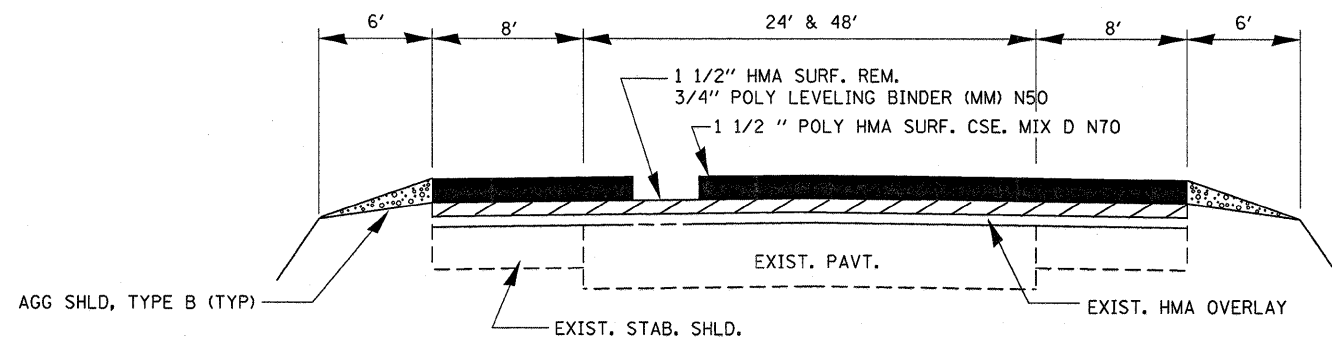


± STA. 70+78.6 TO ± STA. 86+10



± STA. 86+10 TO STA 97+00

FILE NAME =	USER NAME = braboypc	DESIGNED -	REVISED -	<b>STATE OF ILLINOIS DEPARTMENT OF TRANSPORTATION</b>	<b>TYPICAL SECTIONS</b>			F.A.P. RTE.	SECTION	COUNTY	TOTAL SHEETS	SHEET NO.
ca\pw\work\p\dot\braboypc\d0173862\d36610-sht-details.dgn	PLOT SCALE = 50.0000' / IN.	DRAWN -	REVISED -					623	17RS-3; 33RS-5; (34R)RS	*	55	7
PLOT DATE = Feb 10, 2011 - 04:23:03 PM	DATE -	CHECKED -	REVISED -		CONTRACT NO. 66A10			ILLINOIS FED. AID PROJECT *BUREAU/LASALLE				
					SCALE:	SHEET NO.	OF	SHEETS	STA.	TO STA.		