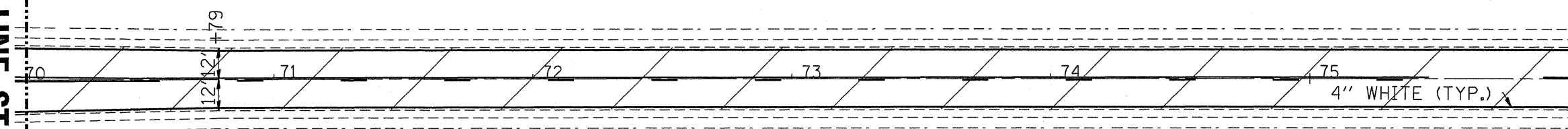




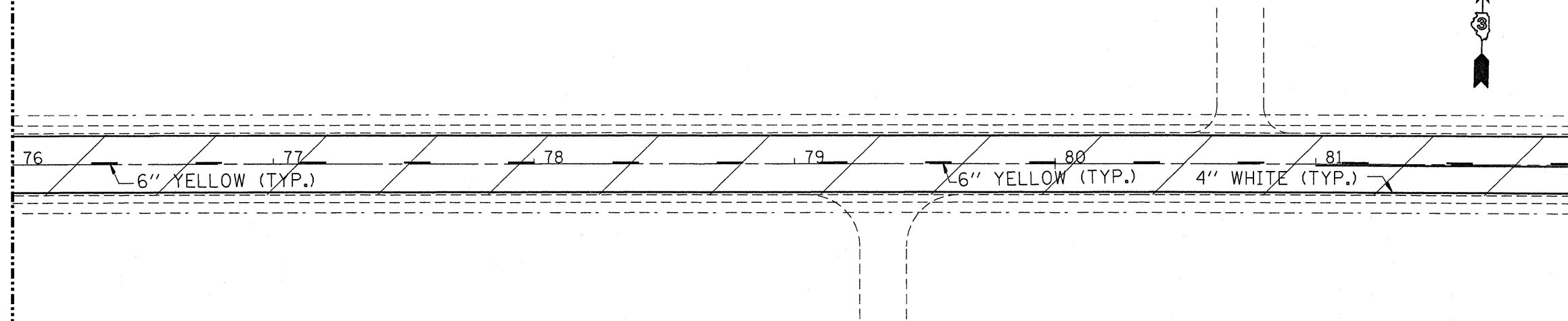
MATCH LINE STA. 76+00

MATCH LINE STA. 70+00



MATCH LINE STA. 82+00

MATCH LINE STA. 76+00



 RESURFACING LIMITS

FILE NAME = c:\pwork\pwork\braboyco\d8173862\shets.dgn	USER NAME = braboyco	DESIGNED -	REVISED -	STATE OF ILLINOIS DEPARTMENT OF TRANSPORTATION	PAVEMENT MARKINGS STA. 70+00 TO STA. 82+00			F.A. RTE.	SECTION	COUNTY	TOTAL SHEETS	SHEET NO.			
	PLOT SCALE = 24.496' / IN.	CHECKED -	REVISED -					623	17RS-3; 33RS-5; (34R)RS	•	55	20			
	PLOT DATE = Feb 18, 2011 - 04:07:05 PM	DATE -	REVISED -					SCALE: SHEET NO. OF SHEETS STA. TO STA.		ILLINOIS FED. AID PROJECT		CONTRACT NO. 66A10		BUREAU/LASALLE	