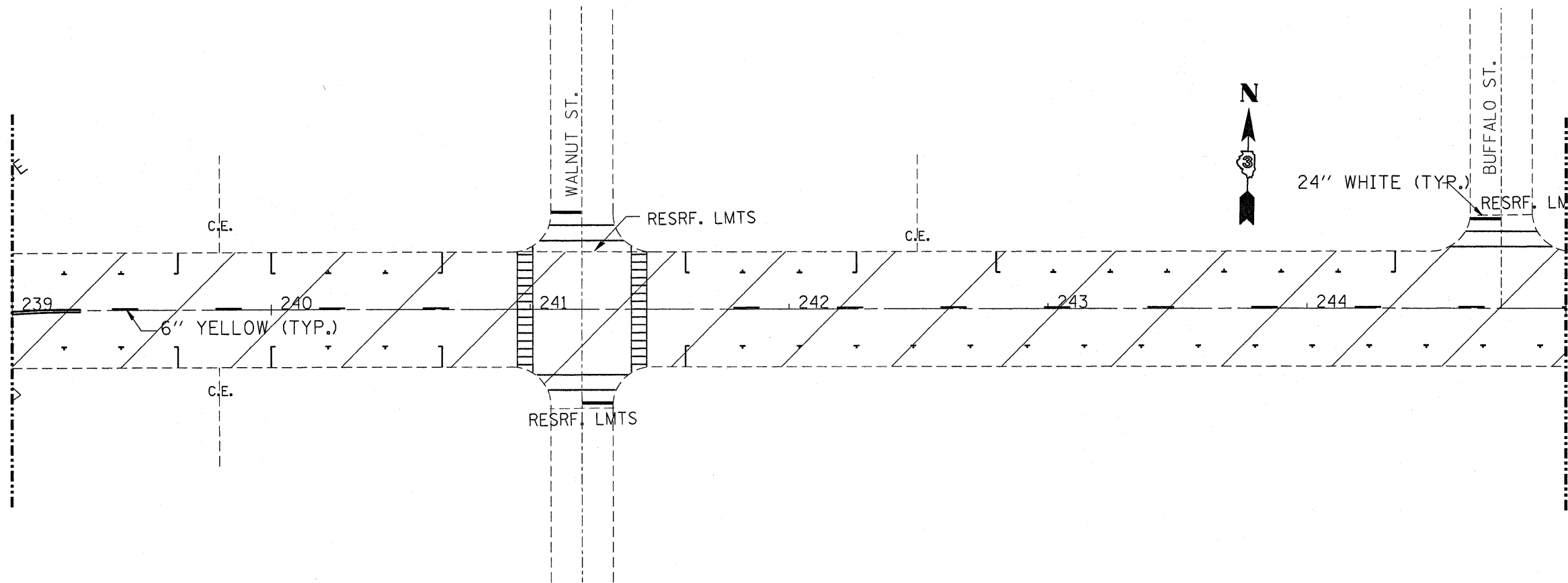


MATCH LINE STA. 239 + 00



MATCH LINE STA. 245 + 00

FILE NAME =	USER NAME = braboypc	DESIGNED -	REVISED -	STATE OF ILLINOIS DEPARTMENT OF TRANSPORTATION	PAVEMENT MARKINGS STA. 239 + 00 TO STA. 245 + 00	F.A. RTE.	SECTION	COUNTY	TOTAL SHEETS	SHEET NO.	
ca\pv_work\pwidot\braboypc\d0173862\sheet1.dgn		DRAWN -	REVISED -			623	17RS-3; 33RS-5; (34R)RS	•	55	34	
PLOT SCALE = 24.496' / IN.		CHECKED -	REVISED -			SCALE: SHEET NO. OF SHEETS STA. TO STA.		CONTRACT NO. 66A10			
PLOT DATE = Feb 10, 2011 - 04:07:45 PM		DATE -	REVISED -			ILLINOIS FED. AID PROJECT #BUREAU/LASALLE					