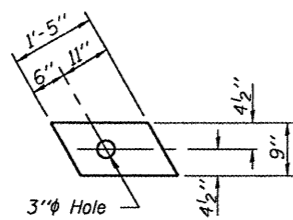


FABRIC BEARING PAD

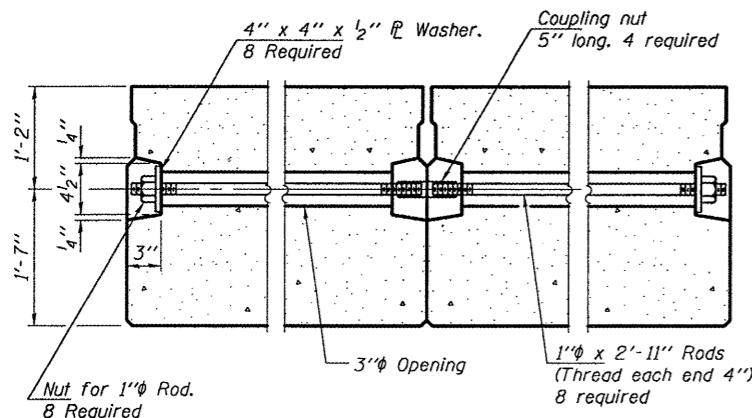


FABRIC ADJUSTING SHIM

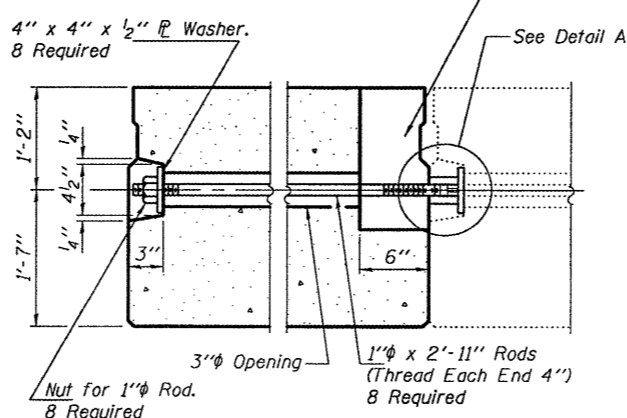
FIXED

Note: Omit holes when using expansion bearings.

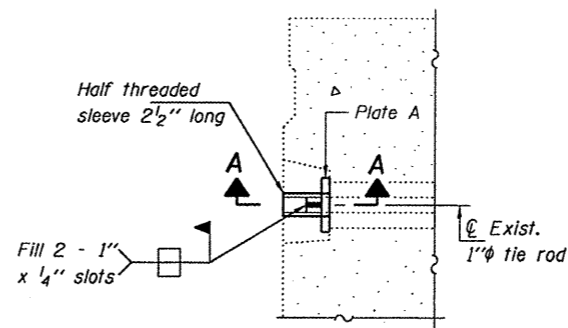
6" x 6" x 16 1/2" Blockout to be filled with non-shrink grout as specified in the special provision Concrete Deck Beams (Min. compressive strength at 7 days = 6,000 psi) after beams have been installed. Cost shall be included in the cost of Precast Prestressed Concrete Deck Beams (33" Depth).



TYPICAL TRANSVERSE TIE ASSEMBLY FOR NEW BEAM ADJACENT TO NEW BEAM



TYPICAL TRANSVERSE TIE ASSEMBLY FOR NEW BEAM ADJACENT TO EXISTING BEAM



DETAIL A

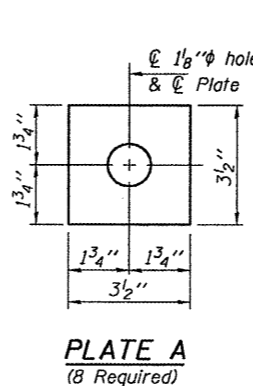
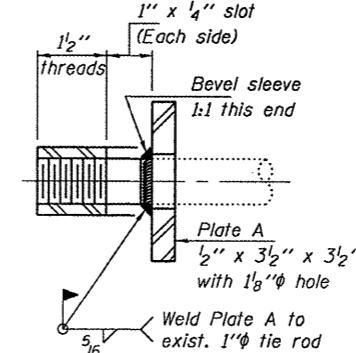
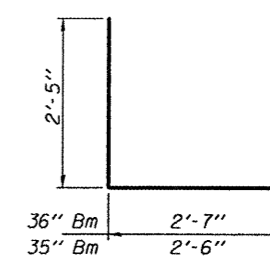


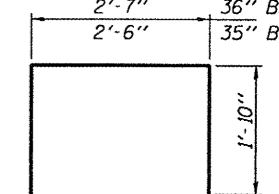
PLATE A (8 Required)



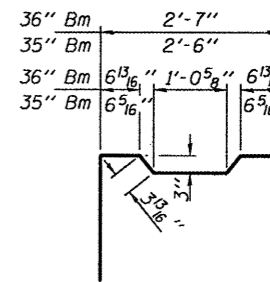
SECTION A-A (8 Required)



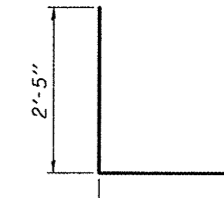
BAR S(E)



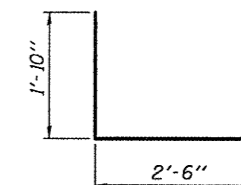
BAR S1(E)



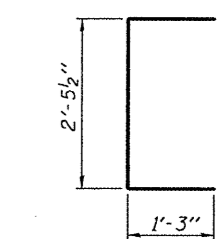
BAR S2(E)



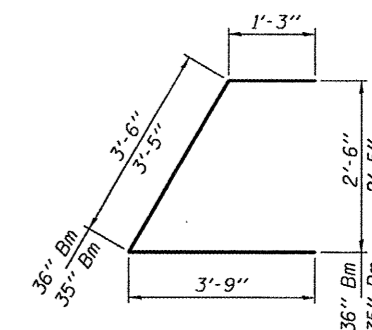
BAR S3(E)



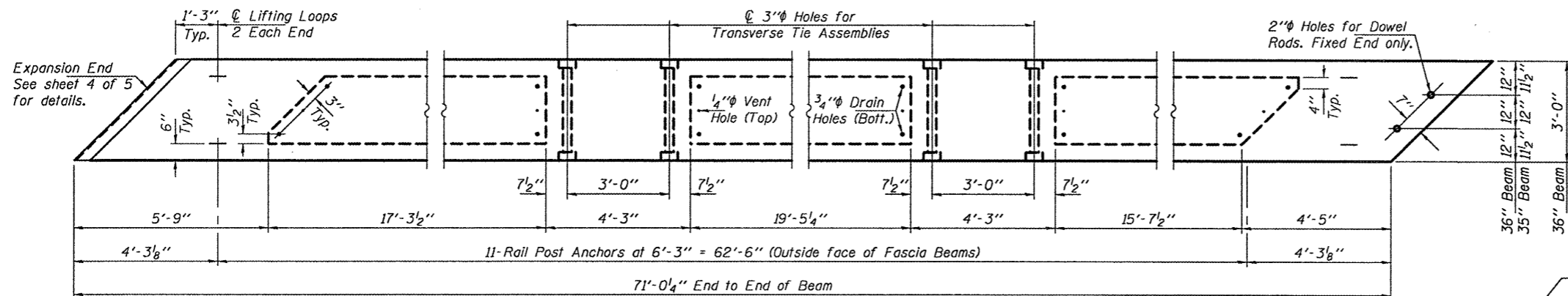
BAR S4(E)



BAR U(E)



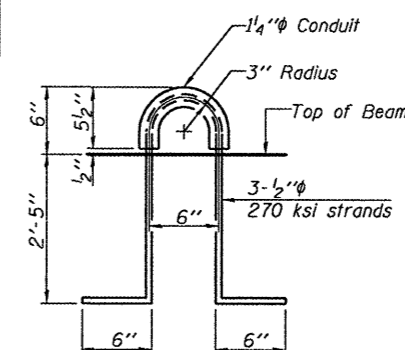
BAR U1(E)



BEAM PLAN

NOTES

Prestressing steel shall be uncoated high strength, low relaxation 7-wire strand, Grade 270. The nominal diameter shall be 1/2" and the nominal cross-sectional area shall be 0.153 sq. in. The 1" rods in the transverse tie assembly shall be tightened to a snug fit and the threads set. Pockets on exterior faces of bridge shall be filled with grout after transverse tie assembly is in place. Reinforcement bars shall conform to ASTM A 706, Grade 60. (See Special Provisions). Two 1/8" fabric adjusting shims of the dimensions shown shall be provided for each bearing pad location. A minimum 2 1/2" lifting pin shall be used to engage the lifting loops during handling. Corrosion Inhibitor, per Article 1020.05(b)(12) and 1021.06 of the Standard Specifications, shall be used in the concrete for precast prestressed concrete deck beams. Compressive strength of prestressed concrete, f'c, shall be 6000 psi. Compressive strength of prestressed concrete at release, f'ci, shall be 5000 psi.



LIFTING LOOP DETAIL

BILL OF MATERIAL

Precast Prestressed Conc. Deck Bms. (33" depth)	Sq. Ft.	1059.4
---	---------	--------

DESIGNED - IJL	EXAMINED - <i>Joey F. J...</i>	DATE - MARCH 15, 2011
CHECKED - ATH	ACTING ENGINEER OF STRUCTURAL SERVICES	
DRAWN - Kyle M. Steffen	PASSED - <i>Carl...</i>	
CHECKED - IJL ATH	ACTING ENGINEER OF BRIDGES AND STRUCTURES	

STATE OF ILLINOIS DEPARTMENT OF TRANSPORTATION

P.P.C. DECK BEAM DETAILS SN 027-0070

F.A.P. RTE. 71	SECTION (115-BR1)	COUNTY FORD	TOTAL SHEETS 11	SHEET NO. 9
CONTRACT NO. 66B26			ILLINOIS/FED. AID PROJECT	

SHEET NO. 3 OF 5 SHEETS