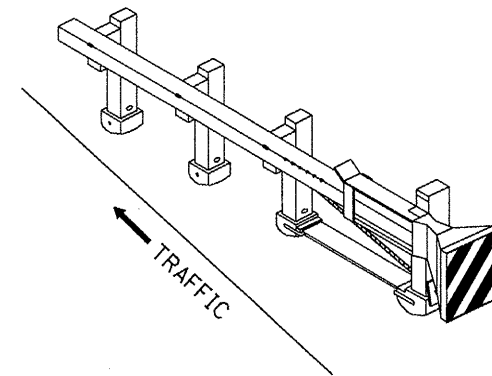
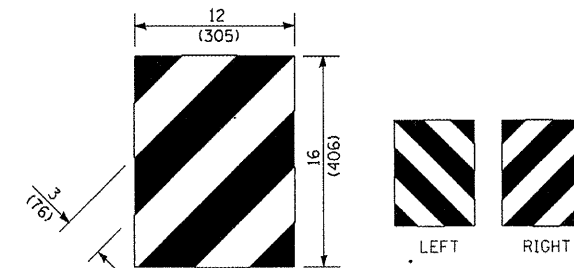


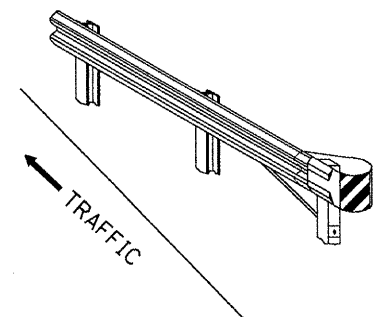
For Traffic Barrier Terminal Type 1 (Special)



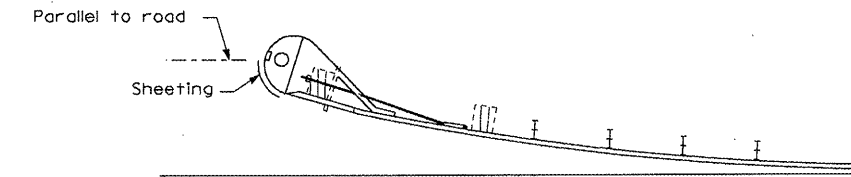
Standard Treatment - Direct Applied Sheeting
Traffic Barrier Terminal Type 1 (Special)



For Traffic Barrier Terminal Type (*)
and Post Mount
• See Plans for Type



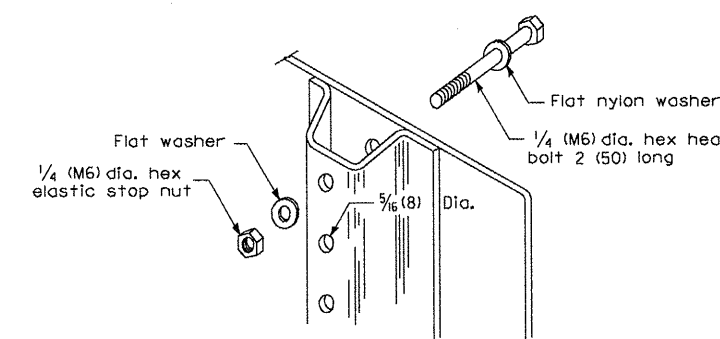
Standard Treatment - Direct Applied Sheeting
Traffic Barrier Terminal Type (*)
• See Plans for Type



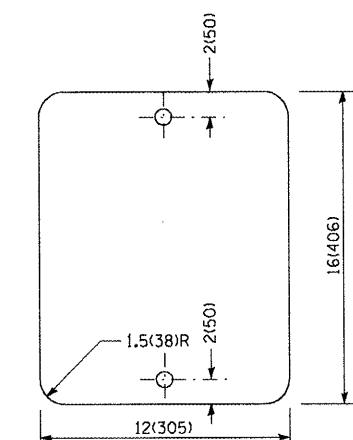
Sheeting Position for
Traffic Barrier Terminal Type (*)
• See Plans for Type

TERMINAL MARKER DETAILS

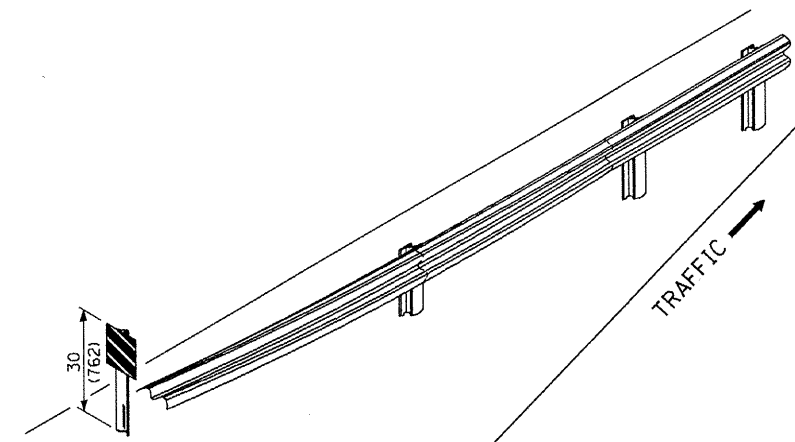
Color: Black / Yellow reflectorized
OM - 1100 (L or R) Direct applied reflective sheeting
OM - 1200 (L or R) Post mounted



DETAIL OF MOUNTING TERMINAL MARKER TO POST



STANDARD TERMINAL MARKER



ALTERNATE TREATMENT - POST MOUNTED
(For turned-down terminal where sheeting cannot be direct applied)

TERMINAL MARKER TREATMENTS

POST MOUNTED TERMINAL MARKER ASSEMBLY

All dimensions are in inches (millimeters) unless otherwise noted.

USER NAME = sjameson	DESIGNED =	REVISED =		7018 KINGSMILL CT., SPRINGFIELD, IL (217) 483-9467 DESIGN FIRM #184001038	STATE OF ILLINOIS DEPARTMENT OF TRANSPORTATION	GUARDRAIL AND BARRIER WALL DELINEATION DISTRICT 4 STANDARDS	F.A.P. RTE. =	SECTION	COUNTY	TOTAL SHEET NO.
FILE NAME = 0468482-ah1-DIST4	DRAWN =	REVISED =					542	105BR-1	MCDONOUGH	117 114
PLOT DATE = 12/21/2018	CHECKED =	REVISED =					CONTRACT NO. 68482			
PLOT TIME = 11:30:05 AM	CHECKED =	REVISED =					SCALE: N.T.S.	SHEET NO. 2 OF 3 SHEETS	STA.	TO STA.