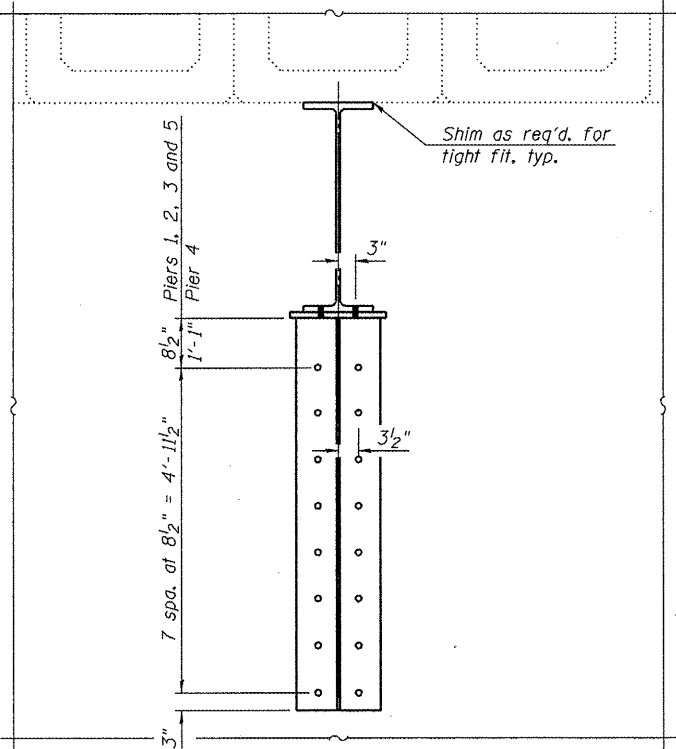
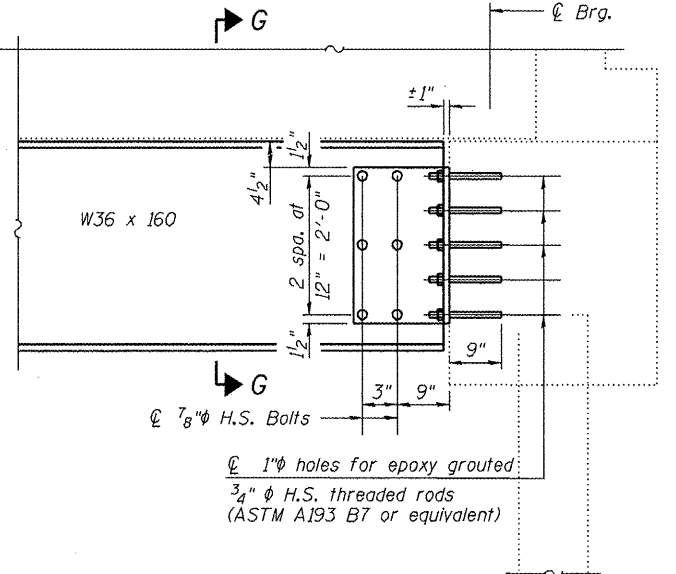


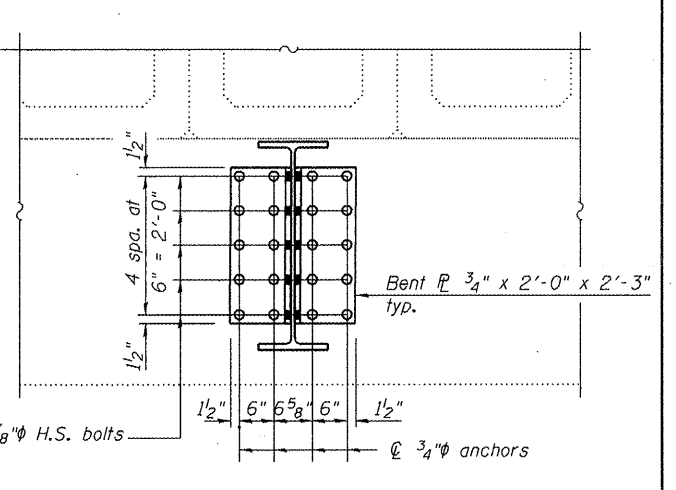
SECTION A-A



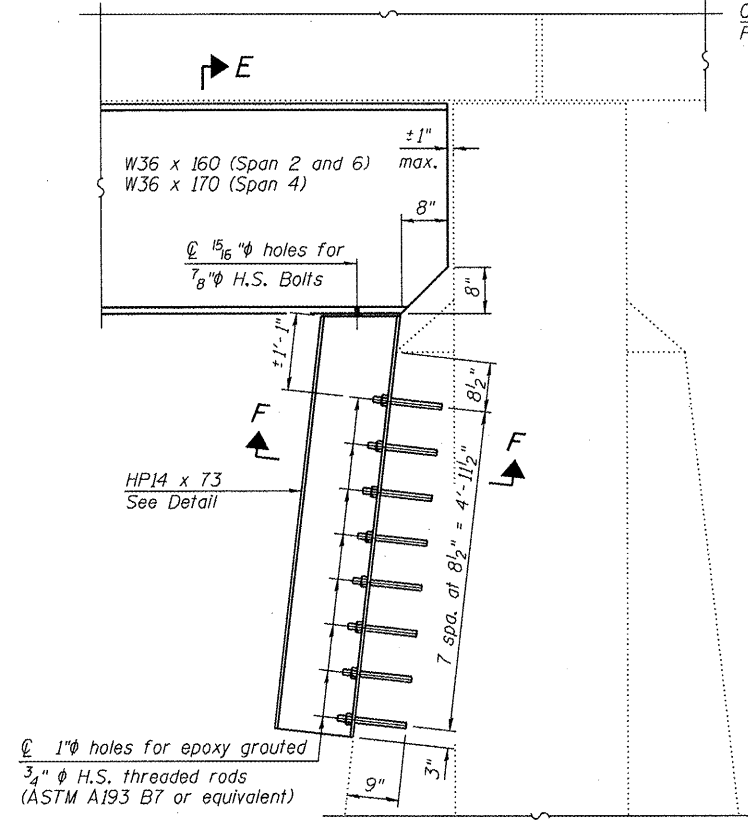
SECTION E-E



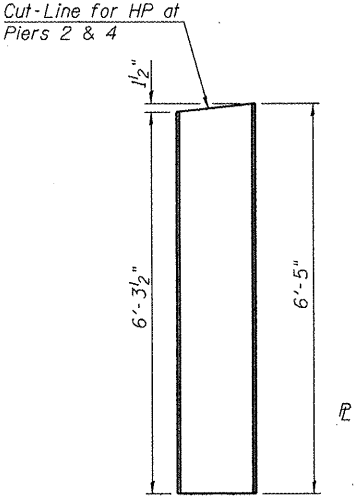
SECTION C-C



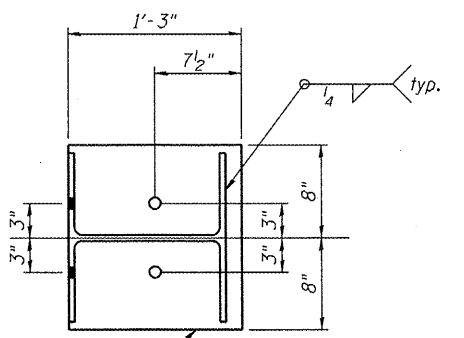
SECTION G-G



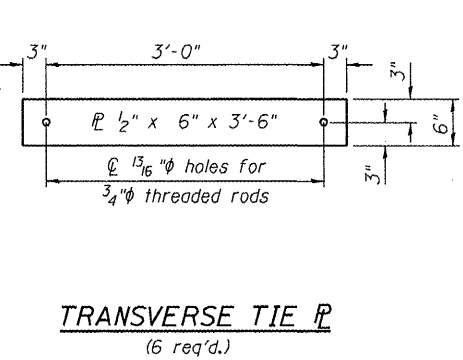
SECTION B-B



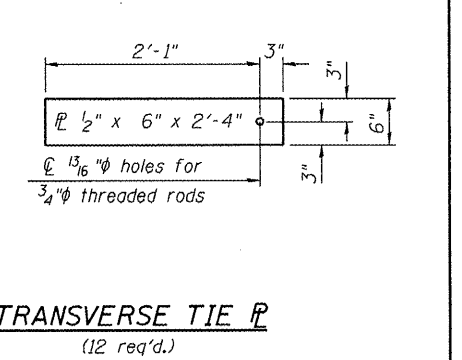
HP14 x 73 DETAIL
(1 Req'd.)



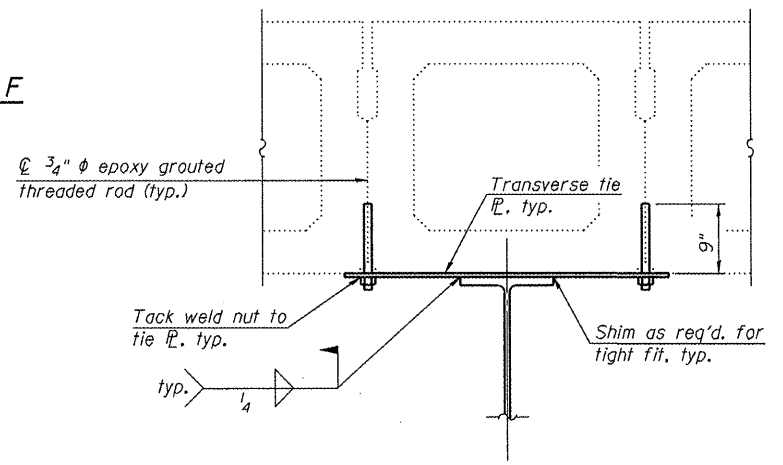
SECTION F-F



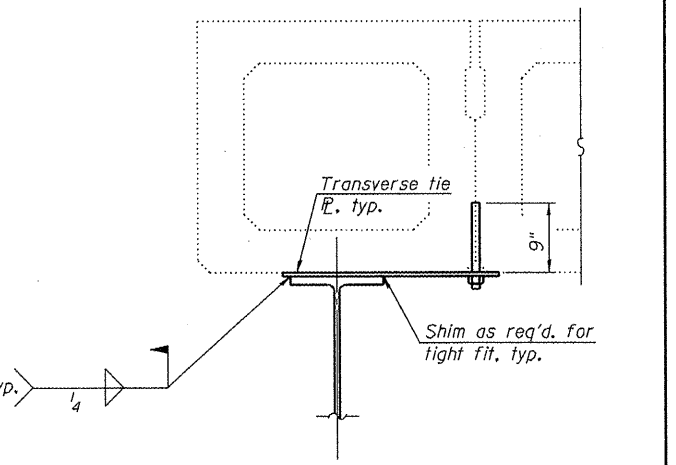
TRANSVERSE TIE PL
(6 req'd.)



TRANSVERSE TIE PL
(12 req'd.)



SECTION D-D



SECTION H-H

USER NAME = dhaberling	DESIGNED - BRD/FLL	REVISED -
FILE NAME = 8550083-68482.dgn	CHECKED - SDS/JHP	REVISED -
PLOT DATE = 12/21/2018	DRAWN - DLH	REVISED -
PLOT TIME = 10:49:15 AM	CHECKED - CWC/SDS	REVISED -

WHKS & CO.
ENGINEERING

7018 KINGSMILL CT.,
SPRINGFIELD, IL
(217) 483-9457
DESIGN FIRM #184001036

STATE OF ILLINOIS
DEPARTMENT OF TRANSPORTATION

TEMPORARY BEAM SUPPORT DETAILS FOR PRE STAGE I TRAFFIC
S.N. 055-0010

SHEET NO. 2 OF 2 SHEETS

F.A.P. RTE. 542	SECTION 105BR-1	COUNTY MCDONOUGH	TOTAL SHEETS 117	SHEET NO. 40B
				CONTRACT NO. 68482
ILLINOIS FED. AID PROJECT				