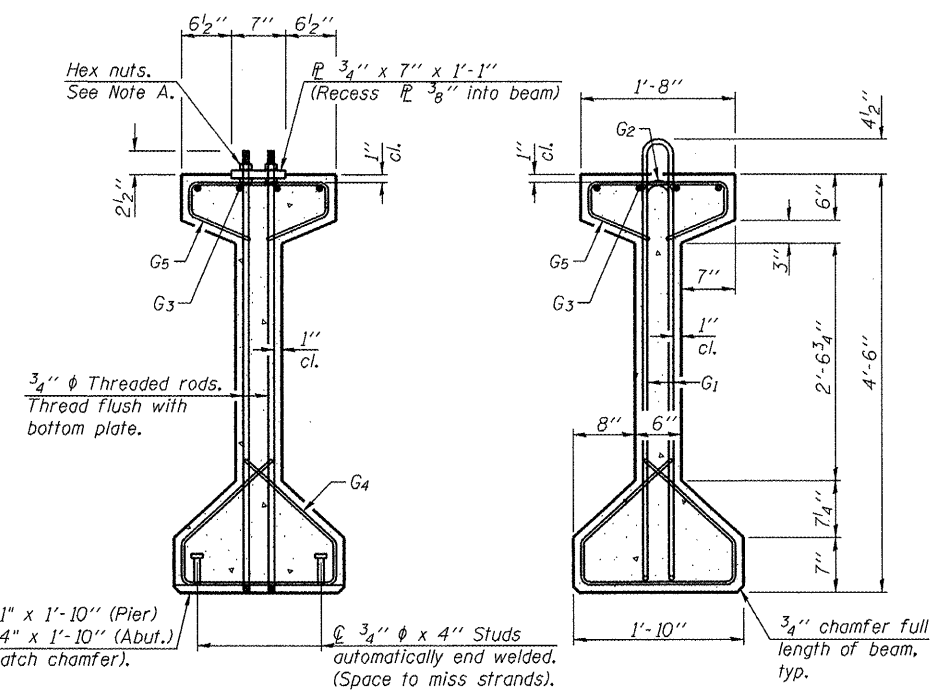


ELEVATION OF BEAM
(Showing reinforcement & dimensions)



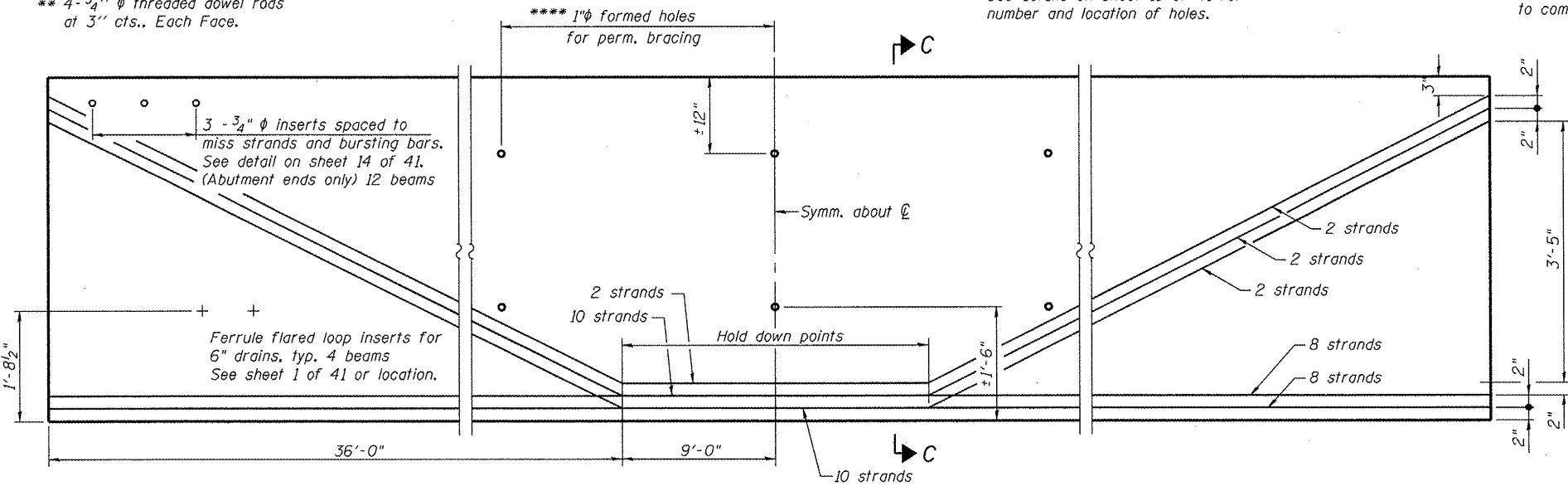
SECTION A-A

SECTION B-B

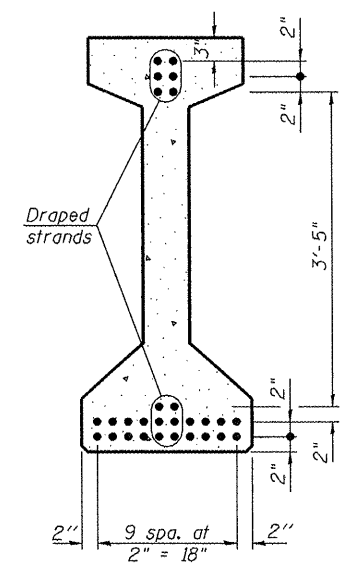
Note A:
Hex nuts (top and bottom) with lock washers (top). Only tighten sufficiently to compress lock washers.

* 3 spaces at 3" = 9".
** 4-3/4" φ threaded dowel rods at 3" cts., Each Face.

**** See details on sheet 19 of 41 for number and location of holes.



ELEVATION OF BEAM
(Showing prestressing steel)



SECTION C-C

BAR LIST ONE BEAM ONLY (SPANS 1 AND 5)

Bar	No.	Size	Length	Shape
G ₁	141	#4	10'-5"	⊏
G ₂	14	#4	8'-8"	⊏
G ₃	16	#7	25'-0"	⊏
G ₄	38	#3	4'-11"	⊏
G ₅	91	#3	3'-5"	⊏
G ₆	2	#8	6'-6"	⊏

***For information only

BAR LIST ONE BEAM ONLY (SPANS 2 AND 4)

Bar	No.	Size	Length	Shape
G ₁	141	#4	10'-5"	⊏
G ₂	14	#4	8'-8"	⊏
G ₃	16	#7	25'-0"	⊏
G ₄	38	#3	4'-11"	⊏
G ₅	91	#3	3'-5"	⊏
G ₆	4	#8	6'-6"	⊏

***For information only

Notes:
See sheet 22 of 41 for additional details and Bill of Material.
Required release strength, f'ci, shall be 5,000 psi.

PI-4-54 7-1-10

USER NAME = dheberling	DESIGNED - BRD/FLL	REVISED -
FILE NAME = 0550083-68482.dgn	CHECKED - SDS/JHP	REVISED -
PLOT DATE = 12/21/2010	DRAWN - DLH	REVISED -
PLOT TIME = 10:30:48 AM	CHECKED - CWC/SDS	REVISED -

WHKS & CO.
ENGINEERING
7018 KINGSMILL CT.,
SPRINGFIELD, IL
(217) 483-9457
DESIGN FIRM #184001038

STATE OF ILLINOIS
DEPARTMENT OF TRANSPORTATION

54" PPC I-BEAM - SPANS 1, 2, 4 & 5
S.N. 055-0083

SHEET NO. 20 OF 41 SHEETS

F.A.P. RTE.	SECTION	COUNTY	TOTAL SHEETS	SHEET NO.
542	105BR-1	MCDONOUGH	117	60
				CONTRACT NO. 68482
ILLINOIS FED. AID PROJECT				