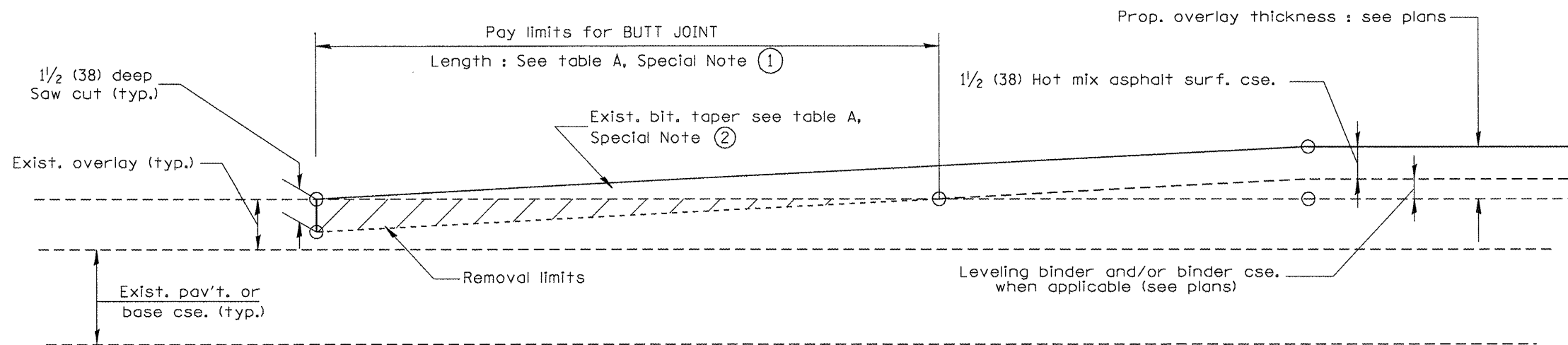
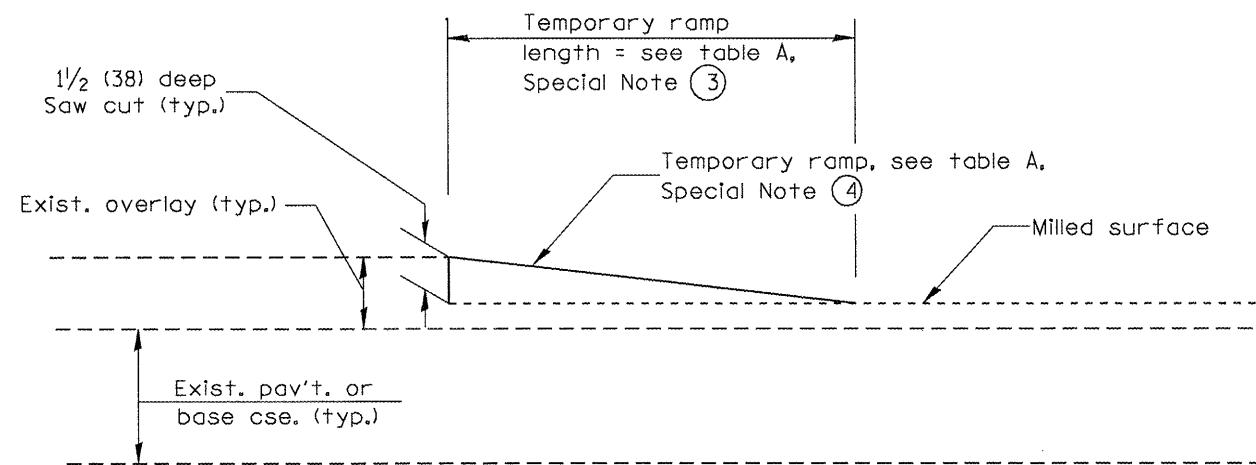


CASE 3 : WITH HOT MIX ASPHALT SURFACE REMOVAL (COLD MILLING)
TIE-IN TO EXISTING BITUMINOUS TAPER



CASE 4 : NO HOT MIX ASPHALT SURFACE REMOVAL (COLD MILLING)
TIE-IN TO EXISTING BITUMINOUS TAPER



DETAIL TEMPORARY RAMP

All dimensions are in inches (millimeters) unless otherwise noted.

USER NAME = gjameson	DESIGNED -	REVISED -
FILE NAME = D468482-shft-DIST4	DESIGNED -	REVISED -
PLOT DATE = 12/21/2010	DRAWN -	REVISED -
PLOT TIME = 11:31:49 AM	CHECKED -	REVISED -

WHKS & CO.
ENGINEERING

7018 KINGSMILL CT.,
SPRINGFIELD, IL
(217) 483-9457
DESIGN FIRM #184001036

STATE OF ILLINOIS
DEPARTMENT OF TRANSPORTATION

BUTT JOINTS
DISTRICT 4 STANDARDS

SCALE: N.T.S. SHEET NO. 2 OF 3 SHEETS STA. TO STA.

F.A.P. RTE.	SECTION	COUNTY	TOTAL SHEETS	SHEET NO.
542	105BR-1	McDONOUGH	117	109
CONTRACT NO. 68482				
ILLINOIS FED. AID PROJECT				