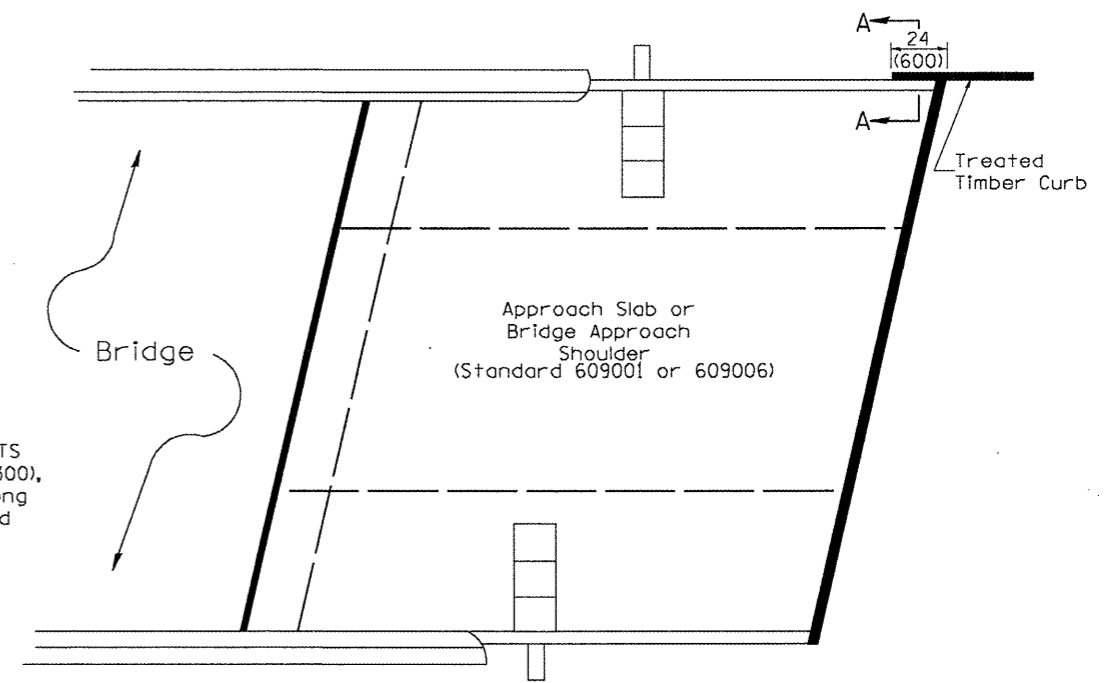


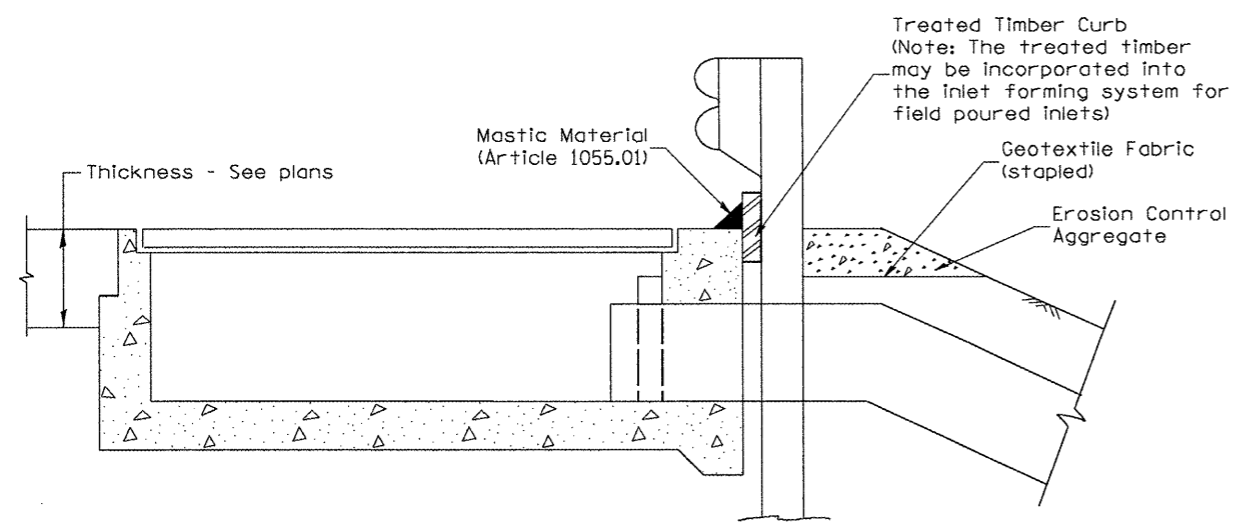
SPLICE LOCATED AT GUARDRAIL POST  
 1/2(M12) galvanized U-bolt with  
 nut & washer

SPLICE LOCATED BETWEEN GUARDRAIL POSTS  
 treated timber splice plate 2x12 (50x300),  
 actual size 1 1/2x1 1/2 (40x290), 24(600) long  
 with 8 evenly spaced 1/2(M12) galvanized  
 bolts with nuts & washers.

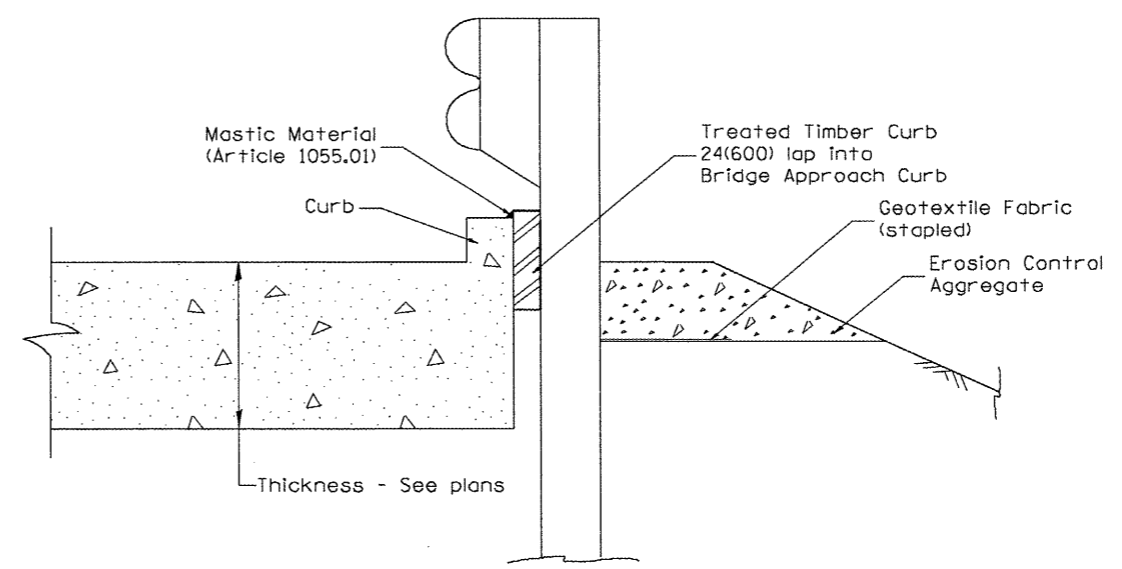
**DETAIL A**  
 (Typical Treated Timber Splices)



**PLAN VIEW**  
 APPROACH SLAB OR BRIDGE APPROACH SHOULDER  
 (STANDARD 609001 or 609006)



**TYPICAL SECTION WITH EROSION CONTROL CURB  
 AT INLETS TYPE E & F (STANDARD 610001)**



**SECTION A-A**  
 TYPICAL SECTION WITH EROSION CONTROL CURB  
 AT BRIDGE APPROACH CURB  
 (STANDARD 609001 OR 609006)

All dimensions are in inches (millimeters)  
 unless otherwise noted.

USER NAME = g.jameson	DESIGNED -	REVISED -		7018 KINGSMILL CT., SPRINGFIELD, IL (217) 483-9457 DESIGN FIRM #184001036	<b>STATE OF ILLINOIS</b> <b>DEPARTMENT OF TRANSPORTATION</b>	<b>GUARDRAIL EROSION CONTROL TREATMENTS</b> <b>DISTRICT 4 STANDARDS</b>		F.A.P. RTE.	SECTION	COUNTY	TOTAL SHEETS	SHEET NO.
FILE NAME = D468482-sh1-DIST4	DRAWN -	REVISED -				542	105BR-1	MCDONOUGH	117	112		
PLOT DATE = 12/21/2010	CHECKED -	REVISED -				CONTRACT NO. 68482						
PLOT TIME = 11:31:57 AM						ILLINOIS FED. AID PROJECT						
						SCALE: N.T.S.	SHEET NO. 2 OF 2 SHEETS	STA.	TO STA.			