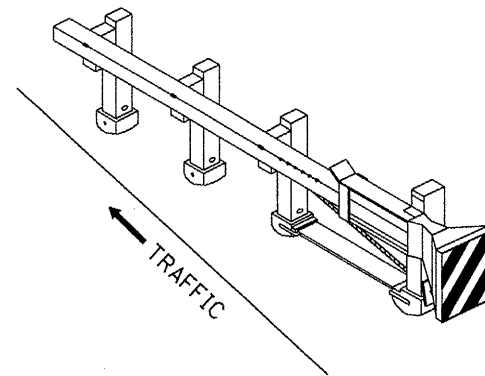
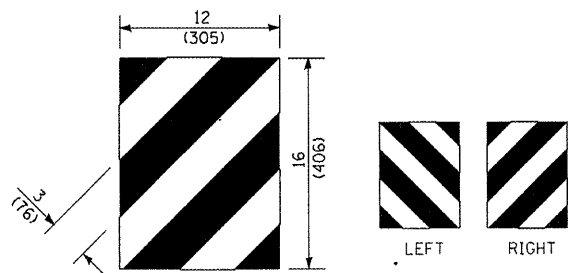


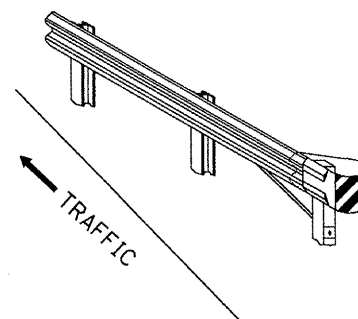
For Traffic Barrier Terminal Type 1 (Special)



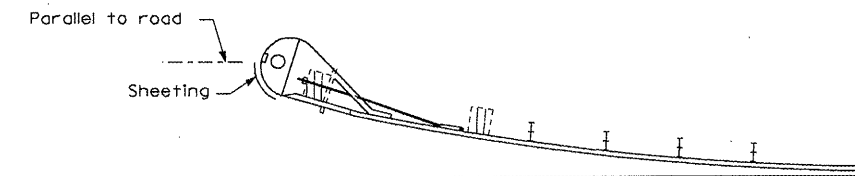
Standard Treatment - Direct Applied Sheeting
Traffic Barrier Terminal Type 1 (Special)



For Traffic Barrier Terminal Type (*)
and Post Mount
• See Plans for Type



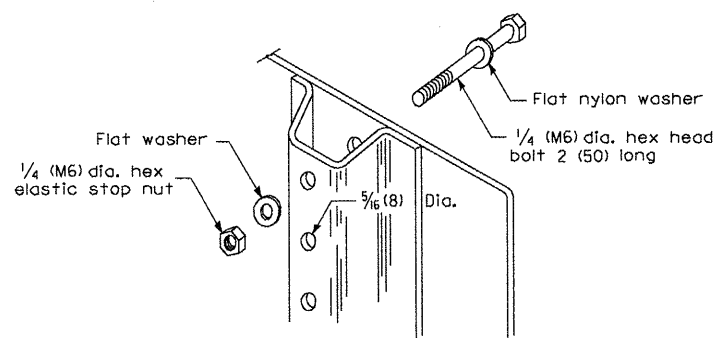
Standard Treatment - Direct Applied Sheeting
Traffic Barrier Terminal Type (*)
• See Plans for Type



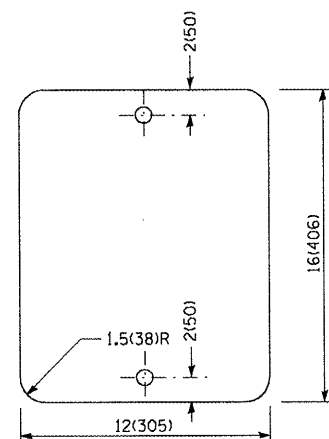
Sheeting Position for
Traffic Barrier Terminal Type (*)
• See Plans for Type

TERMINAL MARKER DETAILS

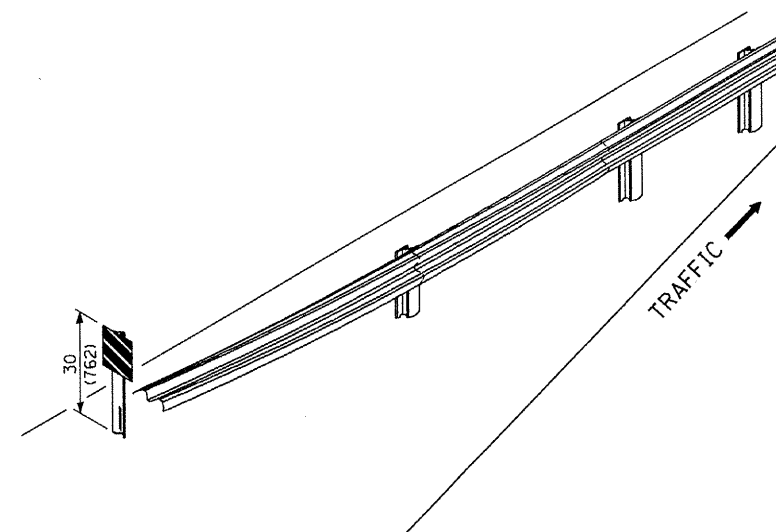
- Color: Black / Yellow reflectorized
- OM - I100 (L or R) Direct applied reflective sheeting
- OM - I200 (L or R) Post mounted



DETAIL OF MOUNTING TERMINAL MARKER TO POST



STANDARD TERMINAL MARKER



ALTERNATE TREATMENT - POST MOUNTED
(For turned-down terminal where sheeting cannot be direct applied)

TERMINAL MARKER TREATMENTS

POST MOUNTED TERMINAL MARKER ASSEMBLY

All dimensions are in inches (millimeters) unless otherwise noted.

USER NAME = gjameson	DESIGNED -	REVISED -		7018 KINGSMILL CT., SPRINGFIELD, IL (217) 483-9457 DESIGN FIRM #184001038	STATE OF ILLINOIS DEPARTMENT OF TRANSPORTATION	GUARDRAIL AND BARRIER WALL DELINEATION DISTRICT 4 STANDARDS		F.A.P. RTE.	SECTION	COUNTY	TOTAL SHEETS	SHEET NO.
FILE NAME = D468482-shd-D1514	DRAWN -	REVISED -						542	1058R-1	McDONOUGH	117	114
PLOT DATE = 12/21/2018	CHECKED -	REVISED -						CONTRACT NO. 68482				
PLOT TIME = 11:32:05 AM								SCALE: N.T.S.	SHEET NO. 2 OF 3 SHEETS	STA.	TO STA.	ILLINOIS FED. AID PROJECT