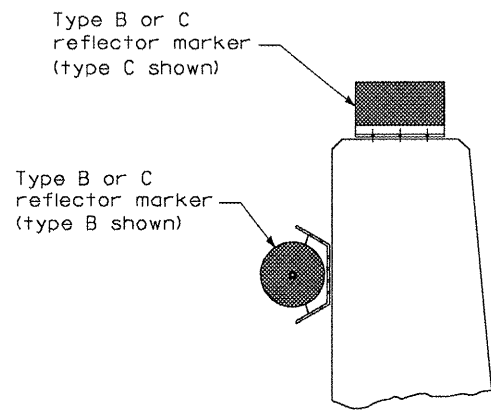
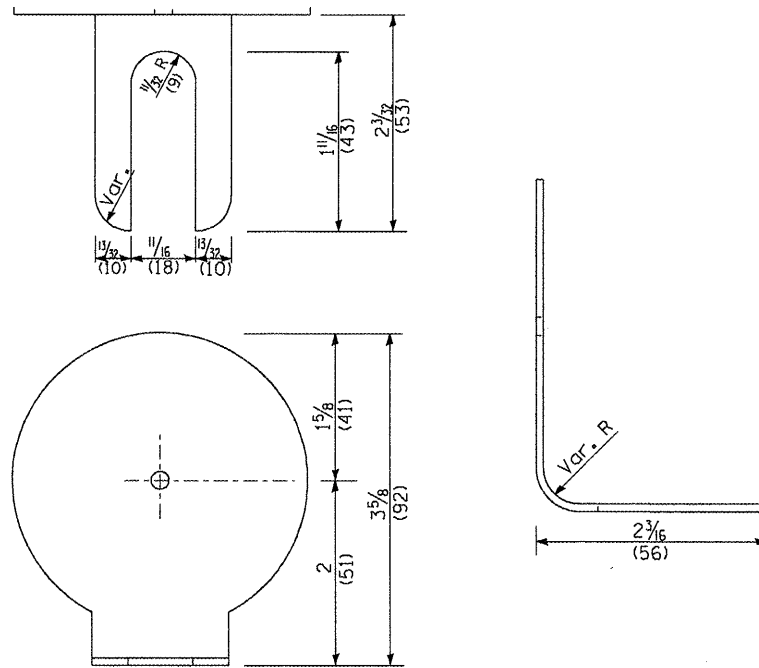


TYPICAL MOUNTING DETAIL FOR BRIDGE RAIL REFLECTOR



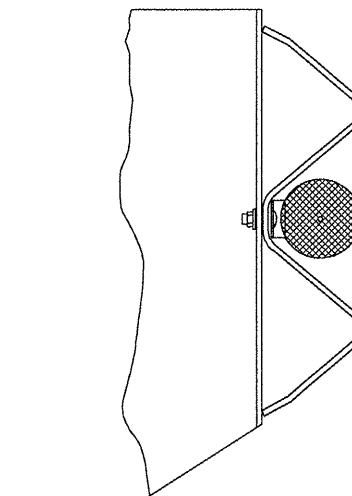
TYPICAL MOUNTING DETAIL FOR BARRIER WALL REFLECTOR

REFLECTOR MOUNTING

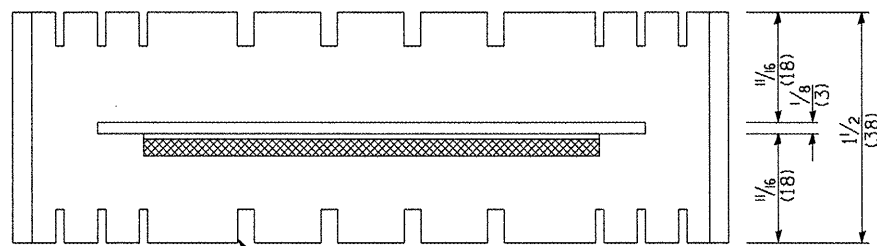


REFLECTOR MARKER TYPE A

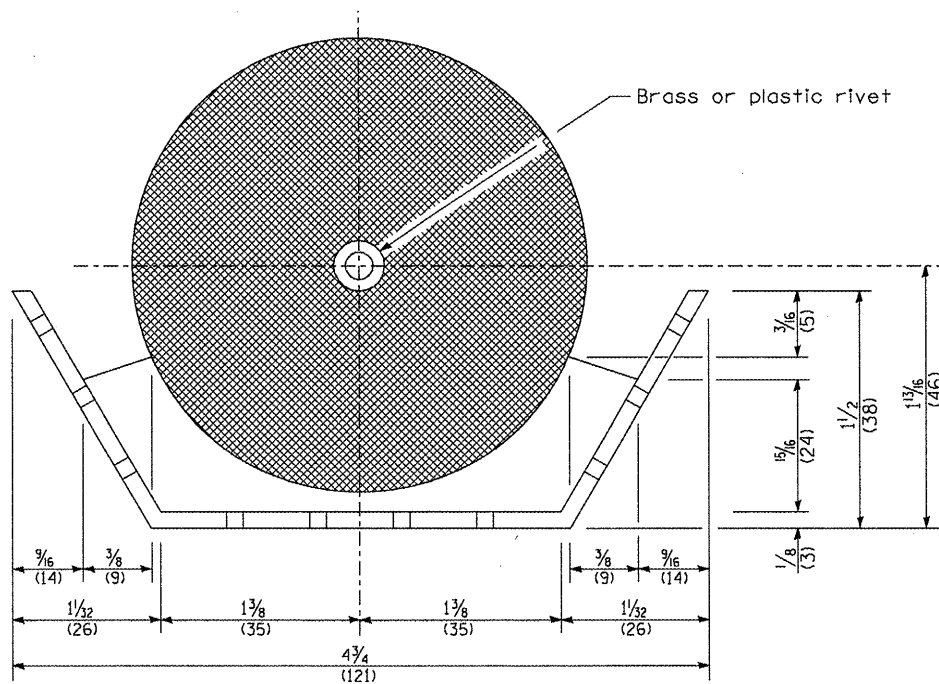
Min. reflective area 6 1/2 sq. in. (4,194 mm<sup>2</sup>) each side. May be rectangular or slight trapezoid.



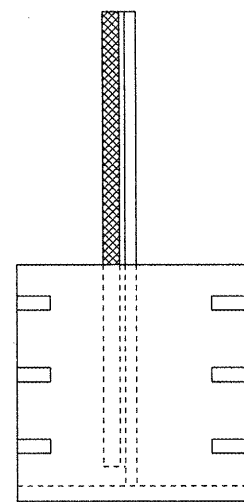
TYPICAL GUARDRAIL MOUNTING WITH REFLECTOR MARKER TYPE A



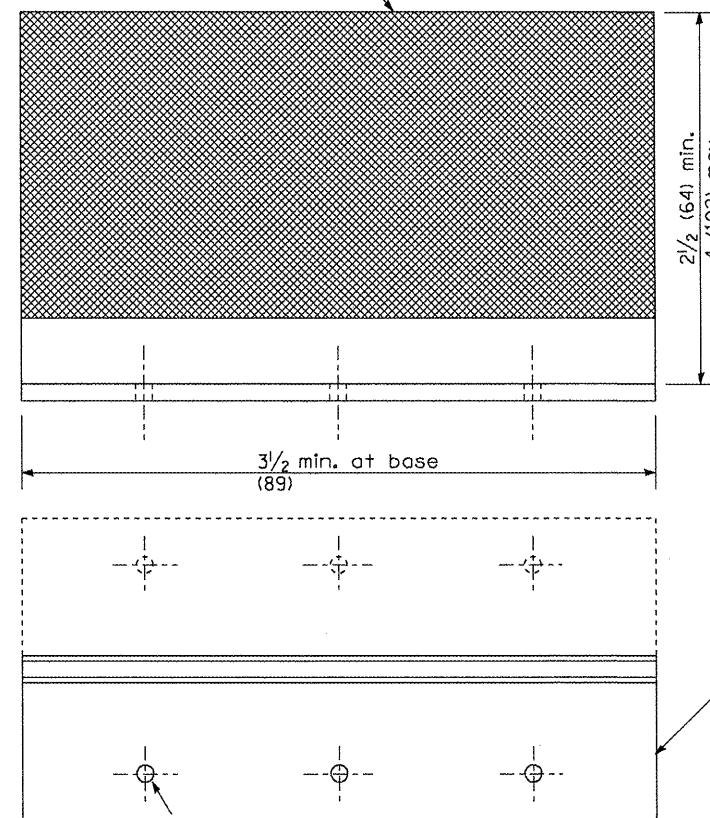
Adhesive weep slots or holes equally spaced on both sides



REFLECTOR MARKER TYPE B

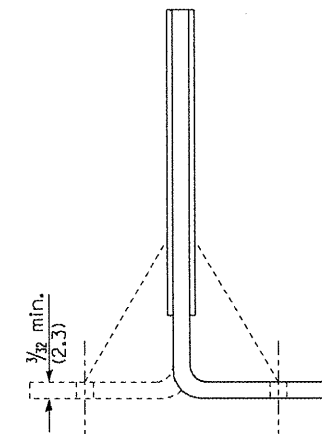


3 min. adhesive weep holes or slots each side, variable spacing.



REFLECTOR MARKER TYPE C

Minimum total area of base 7.0 Sq. in. (4,516 mm<sup>2</sup>)



Cross section may be "T" or "L" shaped and may have side supports at ends.

REFLECTORS

All dimensions are in inches (millimeters) unless otherwise noted.

USER NAME = g_jameson	DESIGNED -	REVISED -		7018 KINGSMILL CT., SPRINGFIELD, IL (217) 483-9457 DESIGN FIRM #184001036	<b>STATE OF ILLINOIS</b> <b>DEPARTMENT OF TRANSPORTATION</b>	<b>GUARDRAIL AND BARRIER WALL DELINEATION</b> <b>DISTRICT 4 STANDARDS</b>	F.A.P. RTE.	SECTION	COUNTY	TOTAL SHEETS	SHEET NO.
FILE NAME = D468482-sht-DIST4	DRAWN -	REVISED -					542	105BR-1	McDONOUGH	117	115
PLOT DATE = 12/21/2018	CHECKED -	REVISED -					CONTRACT NO. 68482				
PLOT TIME = 11:32:08 AM							ILLINOIS FED. AID PROJECT				
						SCALE: N.T.S.	SHEET NO. 3 OF 3 SHEETS		STA.	TO STA.	