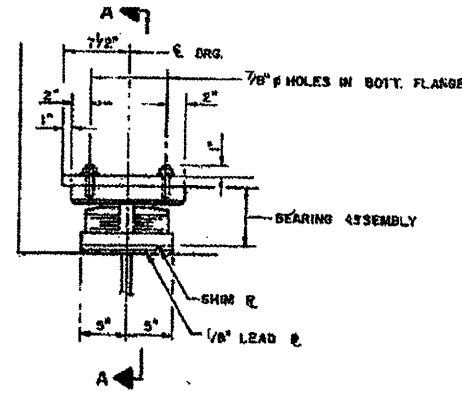


LOCATION 3 STRUCTURE NO. 029-0056

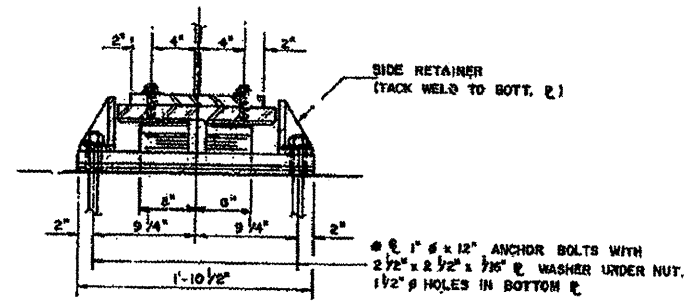
IL 78 & 97

OVER SPOON RIVER

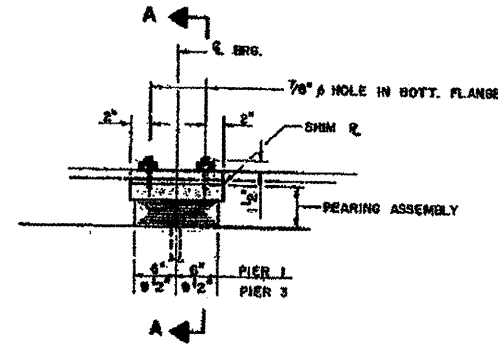
INFORMATION ONLY



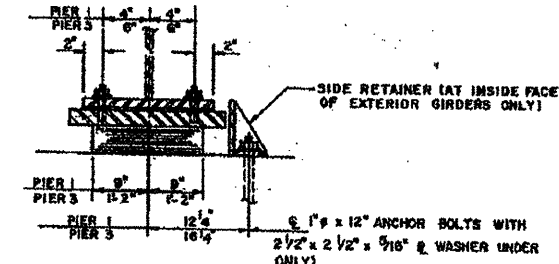
ELEVATION AT SOUTH ABUT.



SECTION A-A

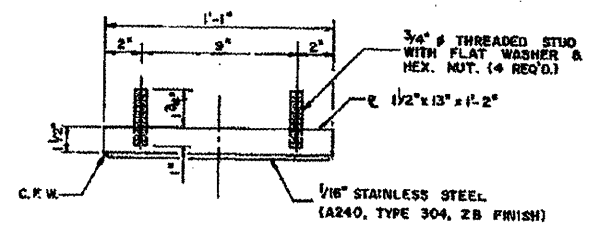


ELEVATION AT PIERS 1 & 3

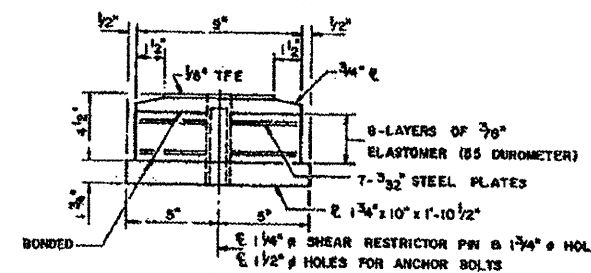


SECTION A-A

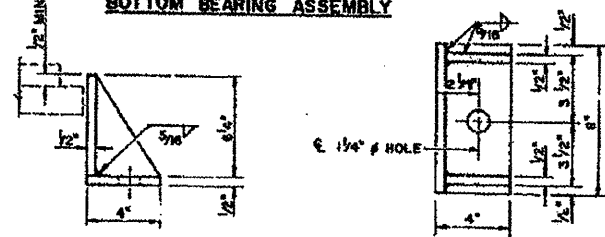
TYPE III ELASTOMERIC EXP. BRG. (AT SOUTH ABUT.)
(6 REQUIRED)



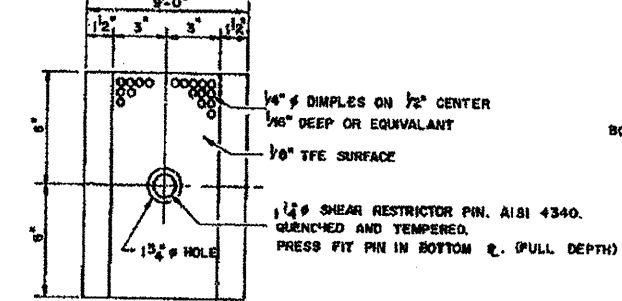
TOP BEARING ASSEMBLY



BOTTOM BEARING ASSEMBLY



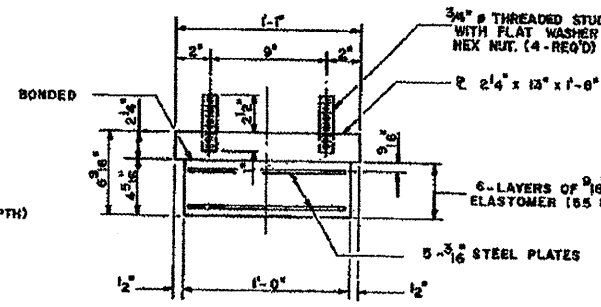
SIDE RETAINER
EQUIVALENT ROLLED ANGLE WITH STIFFENERS
WILL BE ALLOWED IN LIEU OF WELDED PLATES.



PLAN-TFE ELASTOMERIC BRG.

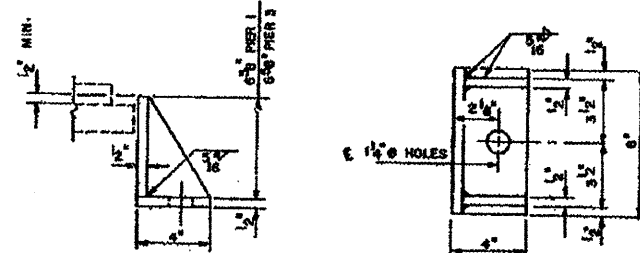
SEE SHEET #23 FOR ANCHOR BOLT INSTALLATION.

TYPE I ELASTOMERIC EXP. BRG.
(12 REQUIRED)

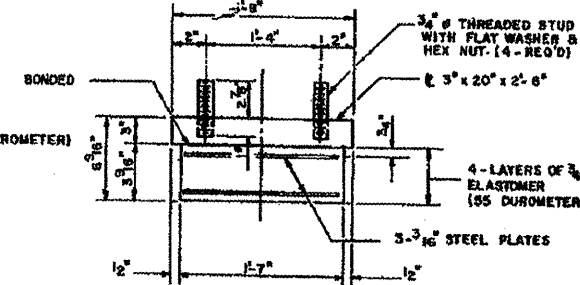


BEARING ASSEMBLY
PIER 1

NOTE: SHIM PLATES SHALL NOT BE PLACED UNDER BEARING ASSEMBLY.



SIDE RETAINER
EQUIVALENT ROLLED ANGLE WITH STIFFENERS
WILL BE ALLOWED IN LIEU OF WELDED PLATES.



BEARING ASSEMBLY
PIER 3

NOTE: SHIM PLATES SHALL NOT BE PLACED UNDER BEARING ASSEMBLY.

BILL OF MATERIAL

Item	Unit	Total
Elastomeric Bearing Assembly Type I	Each	12
Elastomeric Bearing Assembly Type III	Each	6