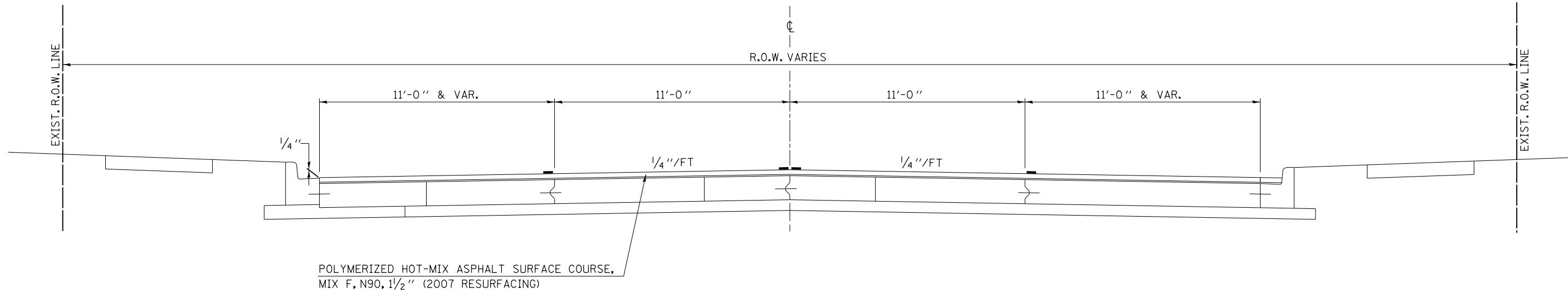


# EXISTING TYPICAL CROSS SECTION ①

GILBERT ST.

STATION TO STATION  
96+60.00 100+35.00 ②

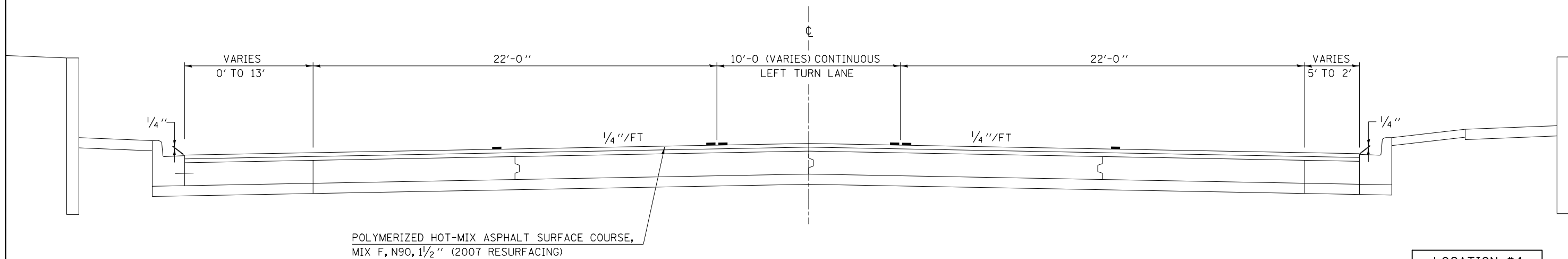


# EXISTING TYPICAL CROSS SECTION ②

GILBERT ST.

+ RAILROAD OMISSION 133+00.00 TO 134+20.00

STATION TO STATION  
① 100+35.00 133+00.00 +  
+ 134+20.00 150+99.40 (BK) ③ STA EQN 150+99.40 (GILBERT ST)BK = 26+58.00 (FAIRCHILD ST)AH



LOCATION #4  
SHEET 1 OF 3

\* 16'-0" RIGHT TURN LANE FROM 100+35.00 TO 103+20.00

• D5 CRACK & JOINT SEAL 2011-2  
•• CHAMPAIGN, DOUGLAS, EDGAR & VERMILION

FILE NAME = c:\pwork\pwork\personbr\d0252772\0570881-typical.dgn	USER NAME = personbr	DESIGNED -	REVISED -	<b>STATE OF ILLINOIS DEPARTMENT OF TRANSPORTATION</b>	<b>TYPICAL CROSS SECTIONS</b>			F.A. RTE.	SECTION	COUNTY	TOTAL SHEETS	SHEET NO.
	PLOT SCALE = 48.0000' / in.	DRAWN -	REVISED -		SCALE:	SHEET NO. OF SHEETS	STA. TO STA.	VAR.	.	••	29	19
	PLOT DATE = 2/4/2011	CHECKED -	REVISED -		CONTRACT NO. 70881							
		DATE -	REVISED -		ILLINOIS FED. AID PROJECT							