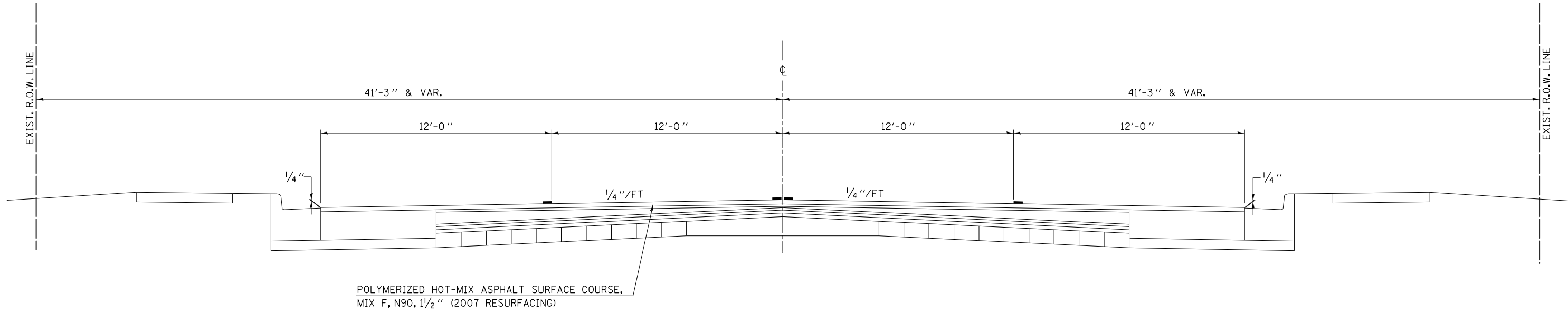


EXISTING TYPICAL CROSS SECTION ⑤

VERMILION ST.

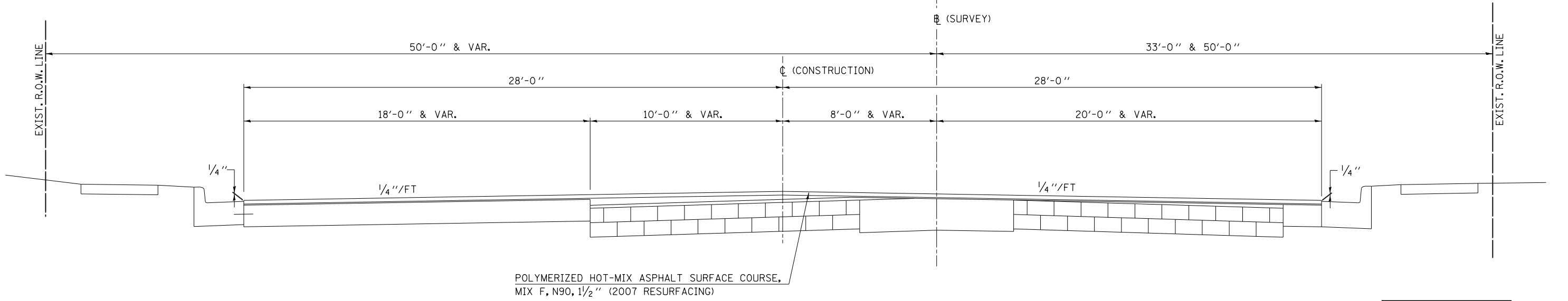
STATION TO STATION
 ④ 129+16.10 175+25.00 ⑥



EXISTING TYPICAL CROSS SECTION ⑥

VERMILION ST.

STATION TO STATION
 ⑤ 175+25.00 183+00.00



LOCATION #4
 SHEET 3 OF 3

- D5 CRACK & JOINT SEAL 2011-2
- CHAMPAIGN, DOUGLAS, EDGAR & VERMILION

FILE NAME = c:\pwork\pwork\personbr\d0252772\0570881-typical.dgn	USER NAME = personbr	DESIGNED -	REVISED -	STATE OF ILLINOIS DEPARTMENT OF TRANSPORTATION	TYPICAL CROSS SECTIONS			F.A. RTE.	SECTION	COUNTY	TOTAL SHEETS	SHEET NO.
PLOT SCALE = 40.0000' / in.	CHECKED -	REVISED -	REVISED -		SCALE:	SHEET NO. OF SHEETS	STA. TO STA.	VAR.	•	••	29	21
PLOT DATE = 2/4/2011	DATE -	REVISED -	REVISED -		CONTRACT NO. 70881							
ILLINOIS FED. AID PROJECT												