

STATE OF ILLINOIS  
DEPARTMENT OF TRANSPORTATION

**GENERAL NOTES**

Fasteners shall be AASHTO M164 Type 1, galvanized bolts. Bolts 3/4" diameter, open holes 13/16" diameter, unless otherwise noted.

No field welding is permitted except as specified in the contract documents.

Reinforcement bars shall conform to the requirements of ASTM A 706 Gr 60. See Special Provisions.

Reinforcement bars designated (E) shall be epoxy coated.

If the Contractor elects to use cantilever forming brackets on the exterior beams or girders, the brackets shall be placed at the same locations as required for the hardwood blocks in Article 503.06(b) of the Standard Specifications. If additional cantilever forming brackets are required, hardwood blocking shall be wedged between the exterior and first interior beam at each of these additional bracket locations.

Prior to pouring the new concrete deck, all heavy or loose rust, loose mill scale, and other loose or potentially detrimental foreign material shall be removed from the surfaces in contact with concrete. Tightly adhered paint may remain unless otherwise noted. Removal shall be accomplished by methods that will not damage the steel and the cost will be included in the pay item covering removal of the existing concrete.

As directed by the Engineer, existing construction accessories welded to the top flange of beams and girders shall be removed. The weld areas shall be ground flush and inspected for cracks using magnetic particle testing (MT) or dye penetrant testing (PT) by qualified personnel approved by the Engineer. Any cracks that can not be removed by grinding 1/4 in. deep shall be identified and reported to the Bureau of Bridges and Structures for further disposition. The cost of removing welded accessories, grinding and inspecting weld areas and grinding cracks will be paid for according to Article 109.04 of the Standard Specifications.

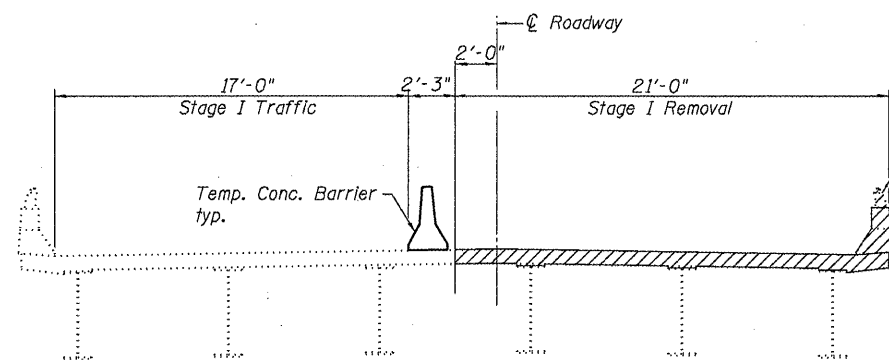
Plan dimensions and details relative to existing plans are subject to nominal construction variations. The Contractor shall field verify existing dimensions and details affecting new construction and make necessary approved adjustments prior to construction or ordering of materials. Such variations shall not be cause for additional compensation for a change in scope of the work, however, the Contractor will be paid for the quantity actually furnished at the unit price bid for the work.

The existing structural steel coating contains lead. The Contractor shall take appropriate precautions to deal with the presence of lead on this project.

Existing structural steel shall only be cleaned and painted as required by the Special Provision "Cleaning and Painting Adjacent Areas of Existing Steel Structures".

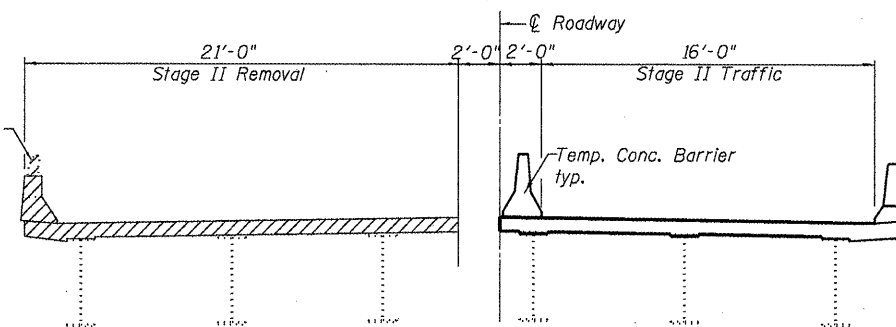
All structural steel shall be shop painted with the inorganic zinc rich primer per AASHTO M300, Type 1. Cost included in Furnishing and Erecting Structural Steel.

Cleaning and field painting of structural steel shall be done under a separate painting contract



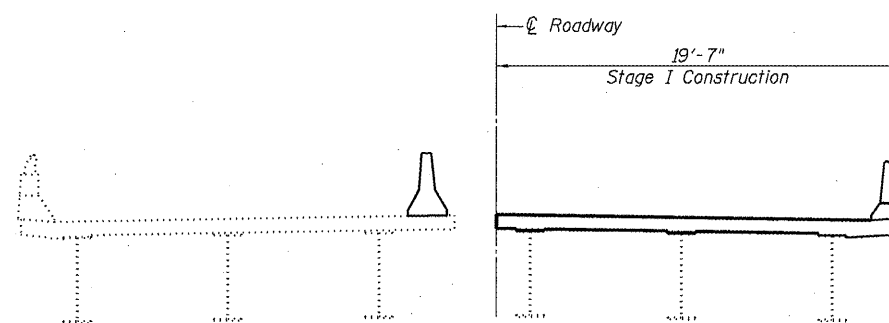
**STAGE I REMOVAL**

(Looking South - North Bound)  
(Looking North - South Bound)



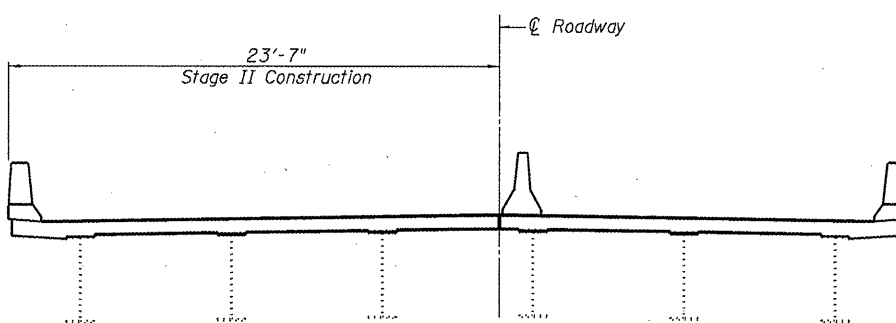
**STAGE II REMOVAL**

(Looking South - North Bound)  
(Looking North - South Bound)



**STAGE I CONSTRUCTION**

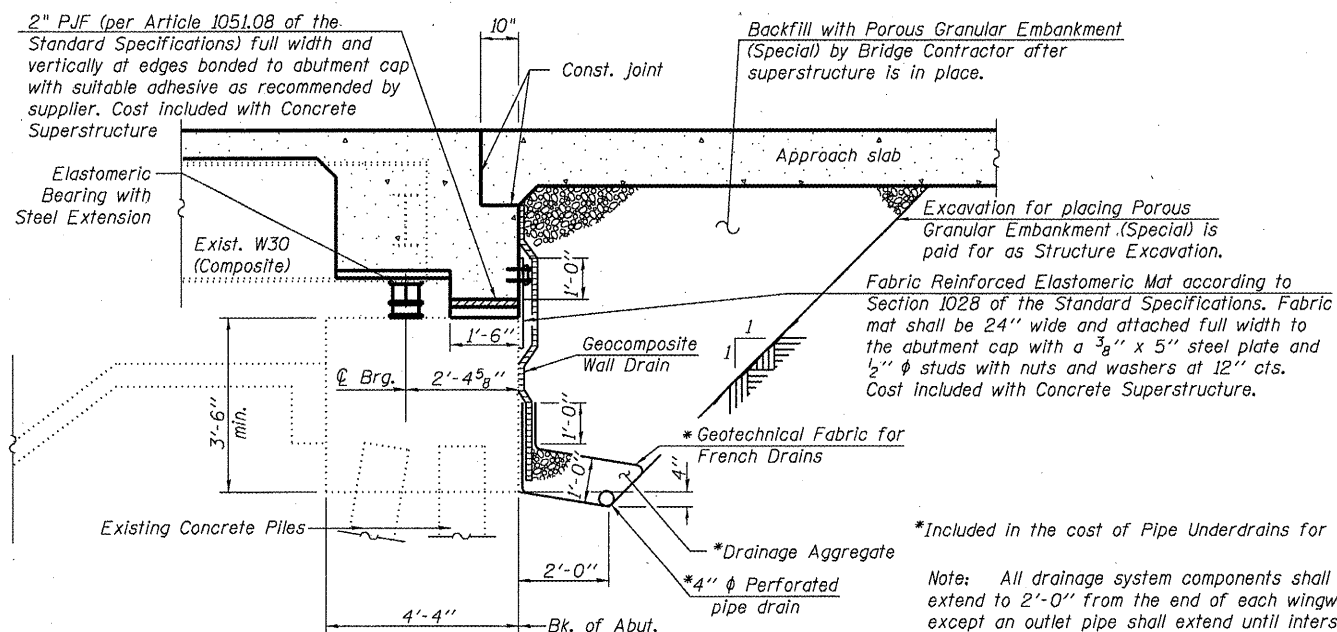
(Looking South - North Bound)  
(Looking North - South Bound)



**STAGE II CONSTRUCTION**

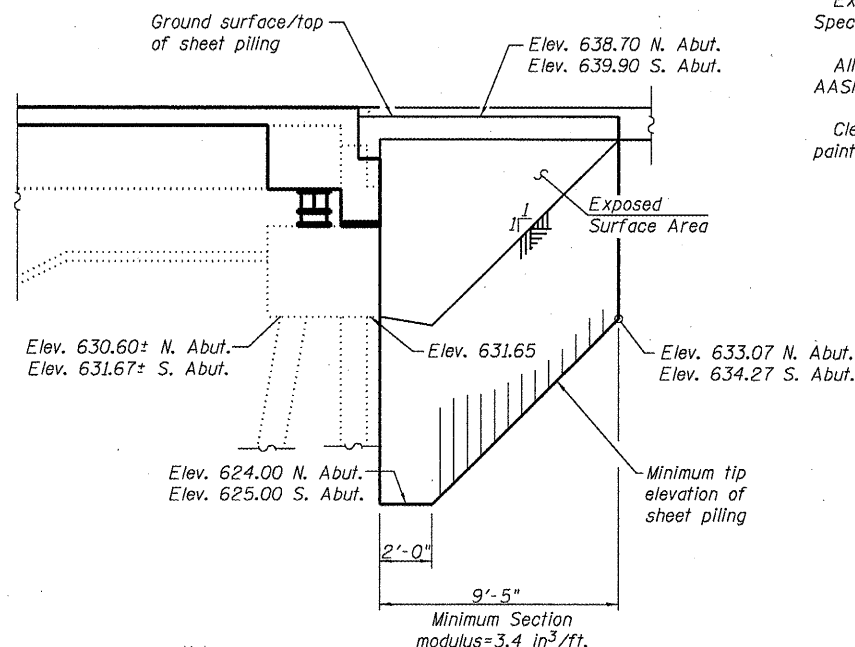
(Looking South - North Bound)  
(Looking North - South Bound)

Note:  
For quantity of Temporary Concrete Barrier, see roadway plans. Hatched area indicates Removal of Existing Structures.



**SECTION THRU SEMI-INTEGRAL ABUTMENT**

(Horiz. dim. @ Rt. L's)



Note:  
If the Contractor chooses to alter the temporary cantilevered sheet piling design requirements shown on the plans, a design submittal including plan details and calculations will be required for review and acceptance by the Engineer.

**TEMPORARY SHEET PILING**

**GENERAL DATA**

**STRUCTURE NO. 059-0040 (S.B.)**  
**STRUCTURE NO. 059-0041 (N.B.)**

SHEET NO. 2	F.A.I. RTE.	SECTION	COUNTY	TOTAL SHEETS	SHEET NO.
	55	(59, 68)RS-3, BR	Macoupin	137	108
31 SHEETS	CONTRACT NO. 72921				
FED. ROAD DIST. NO. 6 ILLINOIS FED. AID PROJECT					