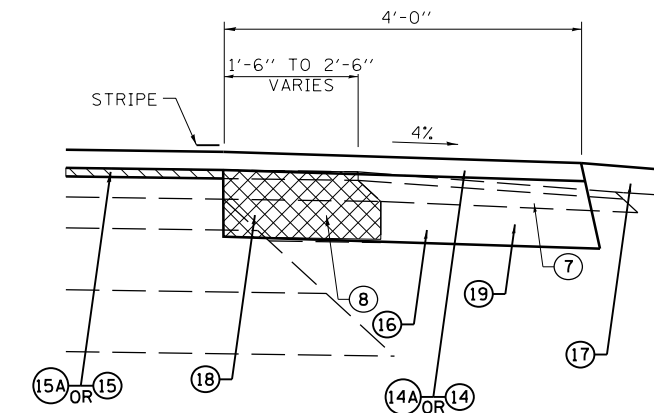
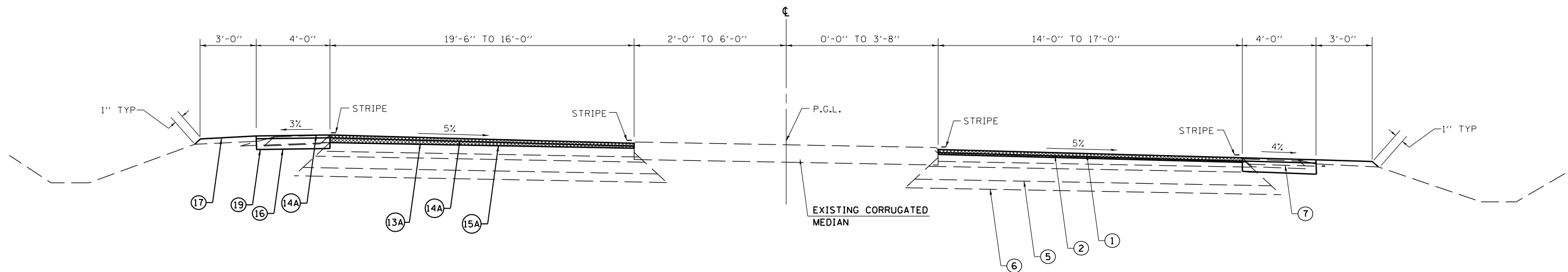


**TYPICAL CROSS SECTION - IL. RTE. 29**  
STA. 85+00.00 TO STA. 97+66.35



**TYPICAL SHOULDER DETAIL**



**TYPICAL CROSS SECTION - IL. RTE. 29**  
STA. 97+66.35 TO STA. 99+16.58  
STA. 118+20.69 TO STA. 119+64.84

**LEGEND**

- |   |  |
|---|--|
| ① EXISTING HMA SURFACE COURSE (VARIABLE DEPTH)                | ⑬A PROPOSED HMA SURFACE REMOVAL, 2.25"                         |
| ② EXISTING HMA BINDER COURSE (VARIABLE DEPTH)                 | ⑭ PROPOSED HMA SURFACE COURSE, MIX. C N50 1.5"                 |
| ③ EXISTING P.C.C. PAVEMENT 9'-6"-9"                           | ⑭A PROPOSED HMA SURFACE COURSE, MIX. D N70 1.5"                |
| ④ EXISTING HMA BASE COURSE WIDENING (VARIABLE DEPTH)          | ⑮ PROPOSED LEVELING BINDER (MACHINE METHOD), IL-9.5 N50 0.75"  |
| ④A EXISTING REFLECTIVE CRACK CONTROL TREATMENT                | ⑮A PROPOSED LEVELING BINDER (MACHINE METHOD), IL-9.5 N70 0.75" |
| ⑤ EXISTING GRANULAR OR BASE COURSE, TYPE A 9"                 | ⑯ PROPOSED HMA SHOULDERS, 6.5"                                 |
| ⑥ EXISTING SUBBASE GRANULAR MATERIAL, TYPE A (VARIABLE DEPTH) | ⑰ PROPOSED AGGREGATE SHOULDER, TYPE B                          |
| ⑦ EXISTING AGGREGATE SHOULDER                                 | ⑱ PROPOSED PAVED SHOULDER REMOVAL                              |
| ⑧ EXISTING BITUMINOUS SHOULDER                                | ⑲ PROPOSED EXCAVATING AND GRADING SHOULDER                     |
| ⑨ EXISTING CONCRETE GUTTER, TYPE A OR TYPE B                  |  |
| ⑩ EXISTING CONCRETE CURB & GUTTER, TYPE 5                     |  |
| ⑪ EXISTING CONCRETE CURB & GUTTER, TYPE 7                     |  |
| ⑫ EXISTING CONCRETE MEDIAN                                    |  |
| ⑬ PROPOSED HMA SURFACE REMOVAL (VARIABLE DEPTH)               |  |

FILE NAME =	USER NAME = laughlinr1	DESIGNED -	REVISED -	<b>STATE OF ILLINOIS DEPARTMENT OF TRANSPORTATION</b>	<b>TYPICAL SECTIONS ILLINOIS 29</b>			F.A.P. RTE.	SECTION	COUNTY	TOTAL SHEETS	SHEET NO.		
et:\pw\work\p\dot\laughlinr1\0216293\0672065-sh\typical.dgn		DRAWN -	REVISED -		SCALE:	SHEET NO.	OF SHEETS	STA.	TO STA.	658	(O)RS-1, (C,D,E)RS-3	MENARD	53	9
PLOT SCALE = 40.0000' / in.		CHECKED -	REVISED -											
PLOT DATE = Feb-08-2011 11:29:05AM		DATE -	REVISED -											
										CONTRACT NO. 72D65			ILLINOIS FED. AID PROJECT	