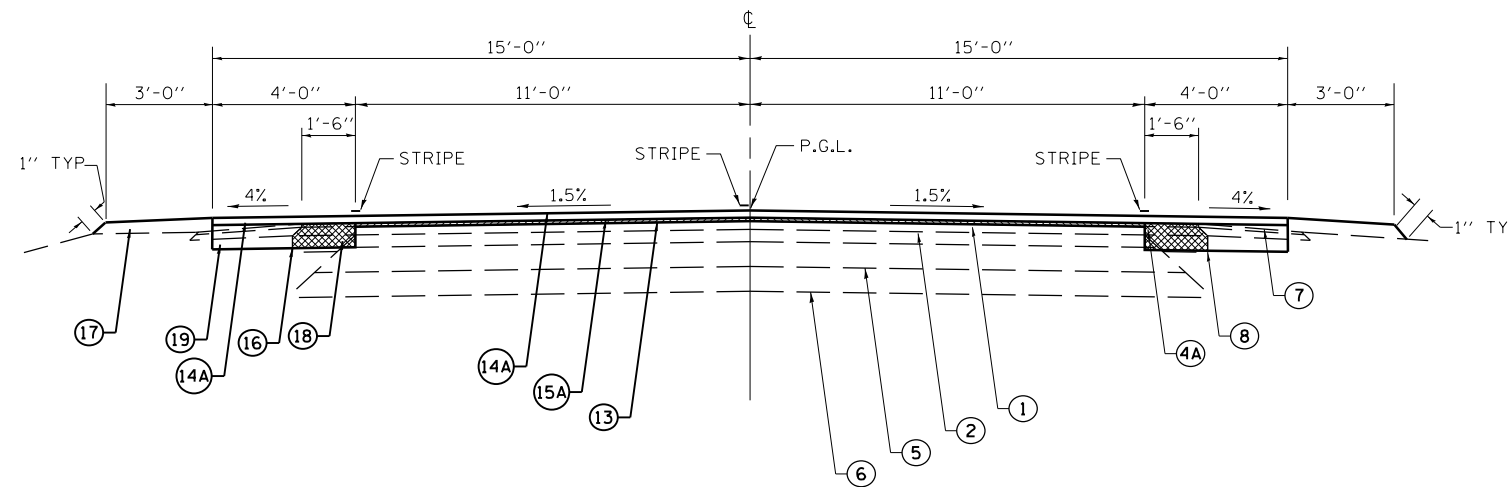


TYPICAL CROSS SECTION - IL. RTE. 29
STA. 99+16.58 TO STA. 118+20.70



TYPICAL CROSS SECTION - IL. RTE. 29
STA. 119+64.84 TO STA. 166+50.00

LEGEND

- | | |
|---|--|
| ① EXISTING HMA SURFACE COURSE (VARIABLE DEPTH) | ⑬A PROPOSED HMA SURFACE REMOVAL, 2.25" |
| ② EXISTING HMA BINDER COURSE (VARIABLE DEPTH) | ⑭ PROPOSED HMA SURFACE COURSE, MIX. C N50 1.5" |
| ③ EXISTING P.C.C. PAVEMENT 9'-6"-9" | ⑭A PROPOSED HMA SURFACE COURSE, MIX. D N70 1.5" |
| ④ EXISTING HMA BASE COURSE WIDENING (VARIABLE DEPTH) | ⑮ PROPOSED LEVELING BINDER (MACHINE METHOD), IL-9.5 N50 0.75" |
| ④A EXISTING REFLECTIVE CRACK CONTROL TREATMENT | ⑮A PROPOSED LEVELING BINDER (MACHINE METHOD), IL-9.5 N70 0.75" |
| ⑤ EXISTING GRANULAR OR BASE COURSE, TYPE A 9" | ⑯ PROPOSED HMA SHOULDERS, 6.5" |
| ⑥ EXISTING SUBBASE GRANULAR MATERIAL, TYPE A (VARIABLE DEPTH) | ⑰ PROPOSED AGGREGATE SHOULDER, TYPE B |
| ⑦ EXISTING AGGREGATE SHOULDER | ⑱ PROPOSED PAVED SHOULDER REMOVAL |
| ⑧ EXISTING BITUMINOUS SHOULDER | ⑲ PROPOSED EXCAVATING AND GRADING SHOULDER |
| ⑨ EXISTING CONCRETE GUTTER, TYPE A OR TYPE B | |
| ⑩ EXISTING CONCRETE CURB & GUTTER, TYPE 5 | |
| ⑪ EXISTING CONCRETE CURB & GUTTER, TYPE 7 | |
| ⑫ EXISTING CONCRETE MEDIAN | |
| ⑬ PROPOSED HMA SURFACE REMOVAL (VARIABLE DEPTH) | |

FILE NAME = c:\pwwork\pwwork\laughlinr\1\0216293\0672065-sh1-typical.dgn	USER NAME = laughlinr1	DESIGNED -	REVISED -	STATE OF ILLINOIS DEPARTMENT OF TRANSPORTATION	TYPICAL SECTIONS ILLINOIS 29			F.A.P. RTE.	SECTION	COUNTY	TOTAL SHEETS	SHEET NO.
	PLOT SCALE = 40.0000' / in.	CHECKED -	REVISED -					658	(O)RS-1, (C,D,E)RS-3	MENARD	53	10
PLOT DATE = Feb-08-2011 11:29:05AM	DATE -	REVISED -		SCALE:	SHEET NO.	OF SHEETS	STA.	TO STA.	CONTRACT NO. 72D65			
ILLINOIS FED. AID PROJECT												