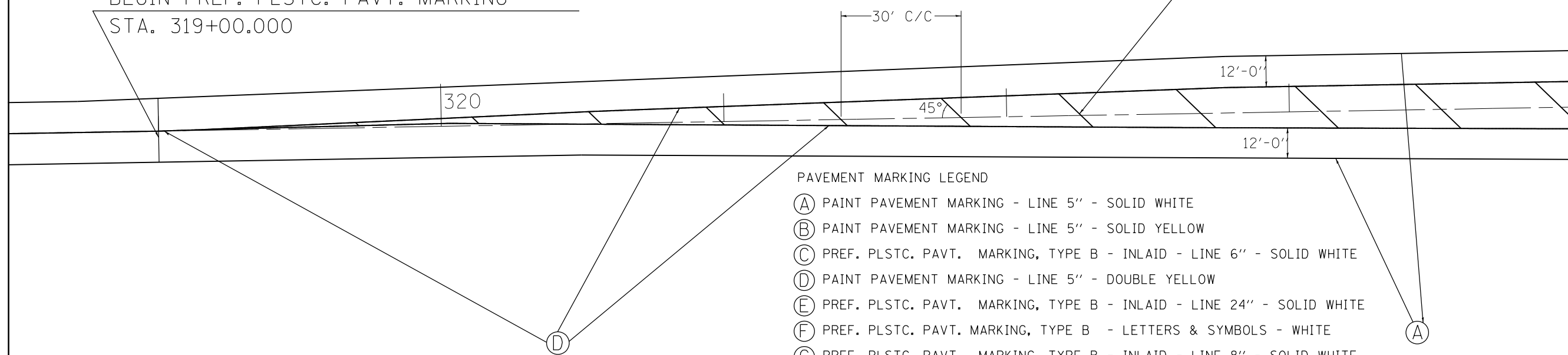
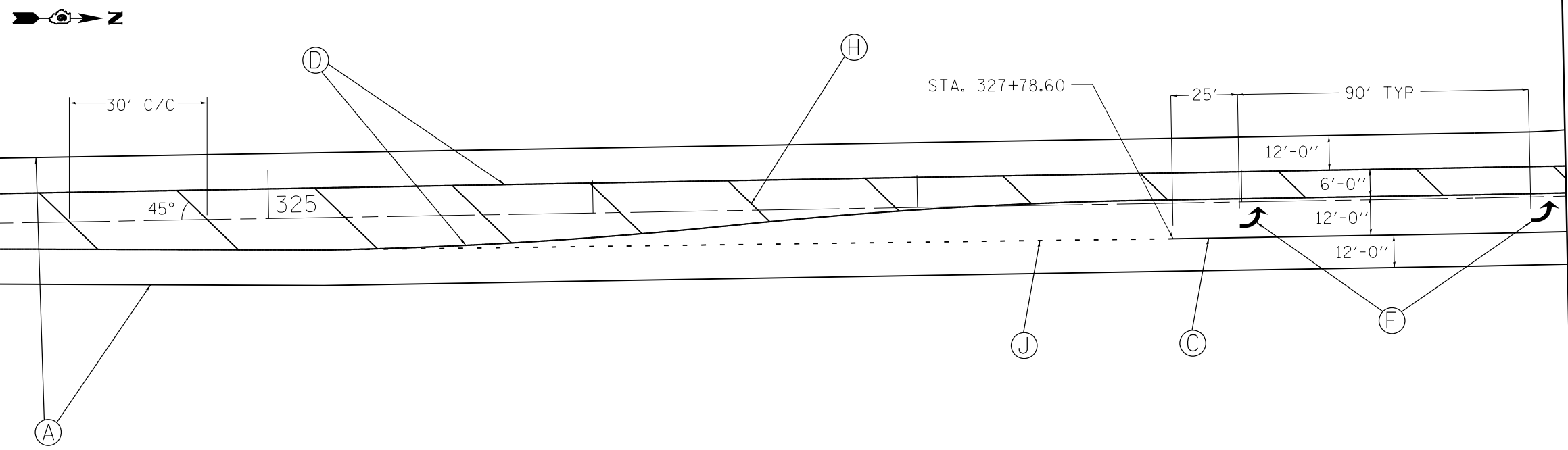


BEGIN PREF. PLSTC. PAVT. MARKING
STA. 319+00.000



- PAVEMENT MARKING LEGEND
- (A) PAINT PAVEMENT MARKING - LINE 5" - SOLID WHITE
 - (B) PAINT PAVEMENT MARKING - LINE 5" - SOLID YELLOW
 - (C) PREF. PLSTC. PAVT. MARKING, TYPE B - INLAID - LINE 6" - SOLID WHITE
 - (D) PAINT PAVEMENT MARKING - LINE 5" - DOUBLE YELLOW
 - (E) PREF. PLSTC. PAVT. MARKING, TYPE B - INLAID - LINE 24" - SOLID WHITE
 - (F) PREF. PLSTC. PAVT. MARKING, TYPE B - LETTERS & SYMBOLS - WHITE
 - (G) PREF. PLSTC. PAVT. MARKING, TYPE B - INLAID - LINE 8" - SOLID WHITE
 - (H) PREF. PLSTC. PAVT. MARKING, TYPE B - INLAID - LINE 12" - SOLID YELLOW
 - (I) PREF. PLSTC. PAVT. MARKING, TYPE B - INLAID - LINE 12" - SOLID WHITE
 - (J) PREF. PLSTC. PAVT. MARKING, TYPE B - INLAID - LINE 6" - SKIP DASH 2'X6' WHITE

MATCH LINE STA. 324+00.000



FILE NAME =	USER NAME = laughl1nr1	DESIGNED -	REVISED -
et:\pwork\pwork\laughl1nr1\0216293\0672065-sh1-pavemark.dgn		DRAWN -	REVISED -
	PLOT SCALE = 40.0001' / in.	CHECKED -	REVISED -
	PLOT DATE = Feb-08-2011 11:30:07AM	DATE -	REVISED -

**STATE OF ILLINOIS
DEPARTMENT OF TRANSPORTATION**

PAVEMENT MARKING DETAILS	
SCALE:	SHEET NO. 4 OF 7 SHEETS
STA.	TO STA.

F.A.P. RTE.	SECTION	COUNTY	TOTAL SHEETS	SHEET NO.
658	(O)RS-1;(C,D,E)RS-3	MENARD	53	44
CONTRACT NO. 72065				
ILLINOIS FED. AID PROJECT				