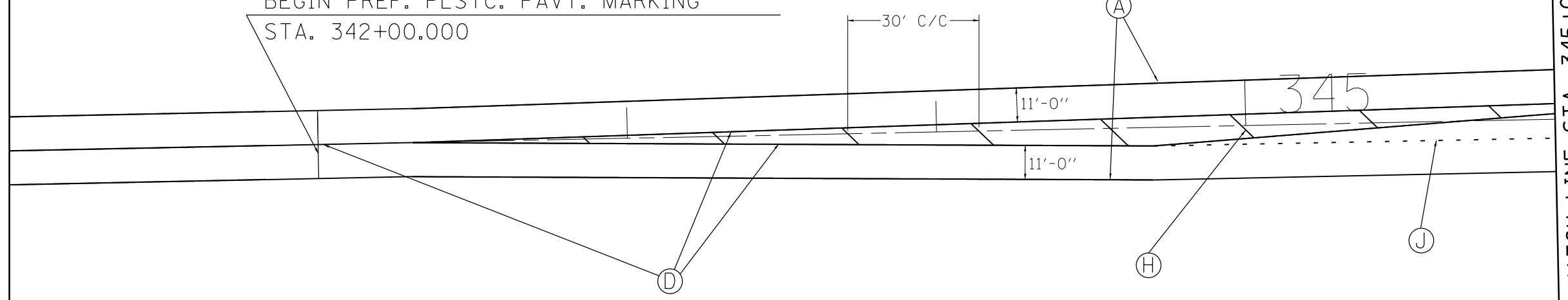
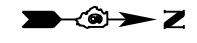


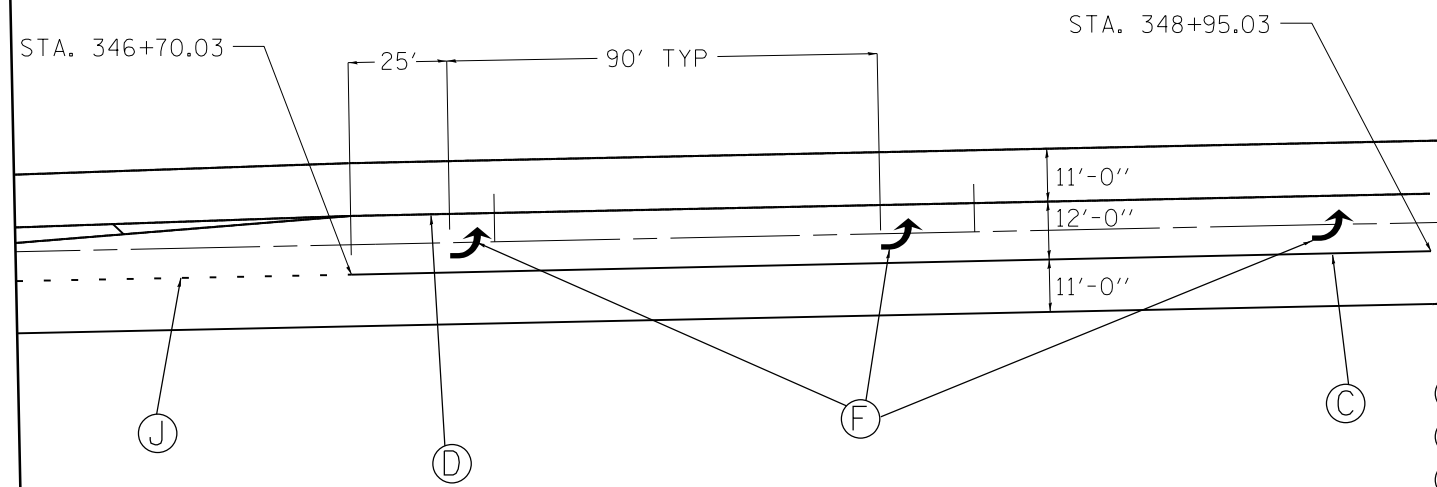
BEGIN PREF. PLSTC. PAVT. MARKING
STA. 342+00.000



MATCH LINE STA. 345+00.00



MATCH LINE STA. 345+00.00



MATCH LINE STA. 351+00.00



PAVEMENT MARKING LEGEND

- (A) PAINT PAVEMENT MARKING - LINE 5" - SOLID WHITE
- (B) PAINT PAVEMENT MARKING - LINE 5" - SOLID YELLOW
- (C) PREF. PLSTC. PAVT. MARKING, TYPE B - INLAID - LINE 6" - SOLID WHITE
- (D) PAINT PAVEMENT MARKING - LINE 5" - DOUBLE YELLOW
- (E) PREF. PLSTC. PAVT. MARKING, TYPE B - INLAID - LINE 24" - SOLID WHITE
- (F) PREF. PLSTC. PAVT. MARKING, TYPE B - LETTERS & SYMBOLS - WHITE
- (G) PREF. PLSTC. PAVT. MARKING, TYPE B - INLAID - LINE 8" - SOLID WHITE
- (H) PREF. PLSTC. PAVT. MARKING, TYPE B - INLAID - LINE 12" - SOLID YELLOW
- (I) PREF. PLSTC. PAVT. MARKING, TYPE B - INLAID - LINE 12" - SOLID WHITE
- (J) PREF. PLSTC. PAVT. MARKING, TYPE B - INLAID - LINE 6" - SKIP DASH 2'X6' WHITE

FILE NAME =	USER NAME = laughlinr1	DESIGNED -	REVISED -
et:\pw\work\p\idot\laughlinr1\0216293\0672065-sh\pavemark.dgn		DRAWN -	REVISED -
	PLOT SCALE = 40.0001' / in.	CHECKED -	REVISED -
	PLOT DATE = Feb-08-2011 11:30:08AM	DATE -	REVISED -

STATE OF ILLINOIS
DEPARTMENT OF TRANSPORTATION

PAVEMENT MARKING DETAILS

SCALE: SHEET NO. 6 OF 7 SHEETS STA. TO STA.

F.A.P. RTE.	SECTION	COUNTY	TOTAL SHEETS	SHEET NO.
658	(0)RS-1 (C,D,E)RS-3	MENARD	53	46
CONTRACT NO. 72D65			ILLINOIS FED. AID PROJECT	