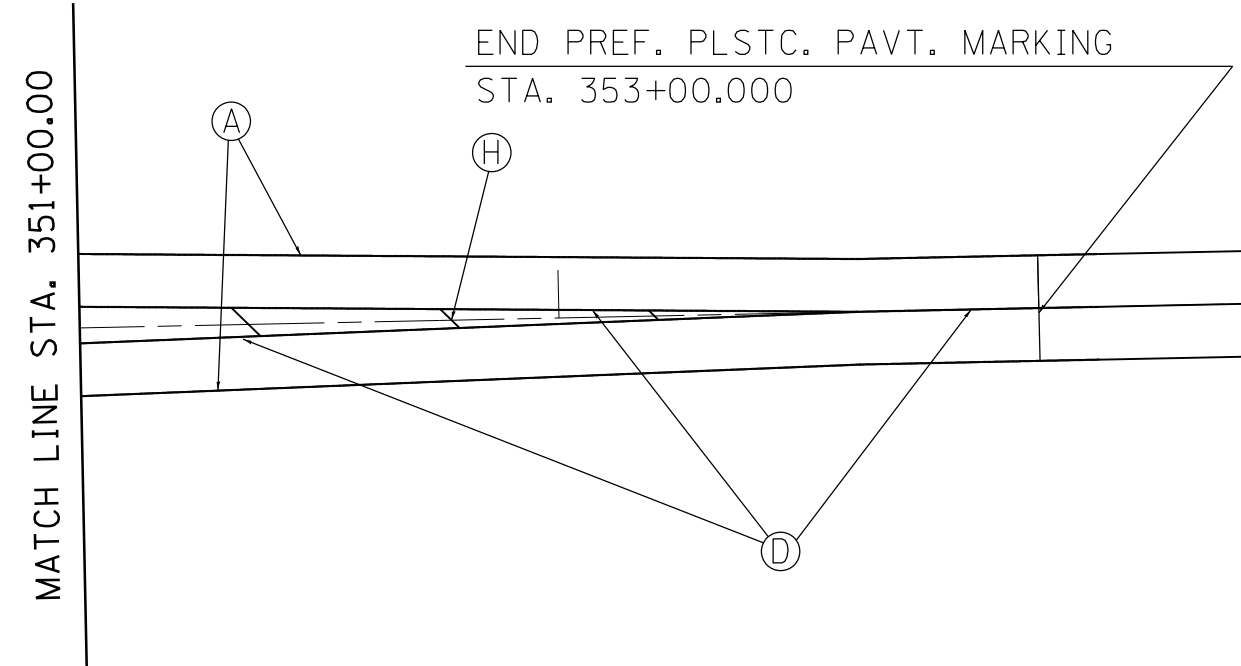


PAVEMENT MARKING LEGEND

- Ⓐ PAINT PAVEMENT MARKING - LINE 5" - SOLID WHITE
- Ⓑ PAINT PAVEMENT MARKING - LINE 5" - SOLID YELLOW
- Ⓒ PREF. PLSTC. PAVT. MARKING, TYPE B - INLAID - LINE 6" - SOLID WHITE
- Ⓓ PAINT PAVEMENT MARKING - LINE 5" - DOUBLE YELLOW
- Ⓔ PREF. PLSTC. PAVT. MARKING, TYPE B - INLAID - LINE 24" - SOLID WHITE
- Ⓕ PREF. PLSTC. PAVT. MARKING, TYPE B - LETTERS & SYMBOLS - WHITE
- Ⓖ PREF. PLSTC. PAVT. MARKING, TYPE B - INLAID - LINE 8" - SOLID WHITE
- Ⓗ PREF. PLSTC. PAVT. MARKING, TYPE B - INLAID - LINE 12" - SOLID YELLOW
- Ⓘ PREF. PLSTC. PAVT. MARKING, TYPE B - INLAID - LINE 12" - SOLID WHITE
- Ⓝ PREF. PLSTC. PAVT. MARKING, TYPE B - INLAID - LINE 6" - SKIP DASH 2'X6' WHITE



FILE NAME =	USER NAME = laughlinc1	DESIGNED -	REVISED -
et:\pwork\pwork\laughlinc1\0216293\0672065-shd:pavemark.dgn		DRAWN -	REVISED -
	PLOT SCALE = 40.0001' / in.	CHECKED -	REVISED -
	PLOT DATE = Feb-08-2011 11:30:08AM	DATE -	REVISED -

**STATE OF ILLINOIS
DEPARTMENT OF TRANSPORTATION**

PAVEMENT MARKING DETAILS

SCALE: SHEET NO. 7 OF 7 SHEETS STA. TO STA.

F.A.P. RTE.	SECTION	COUNTY	TOTAL SHEETS	SHEET NO.
658	(0)RS-1 (C,D,E)RS-3	MENARD	53	47
CONTRACT NO.			72D65	
ILLINOIS FED. AID PROJECT				