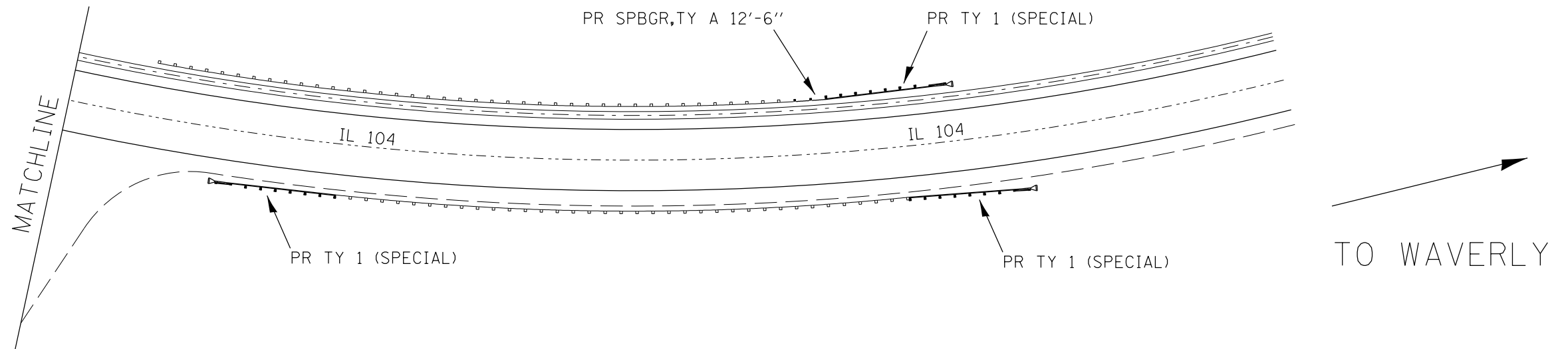
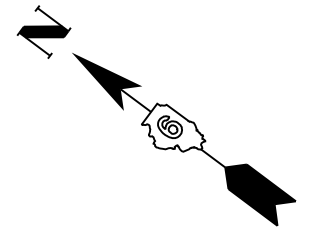
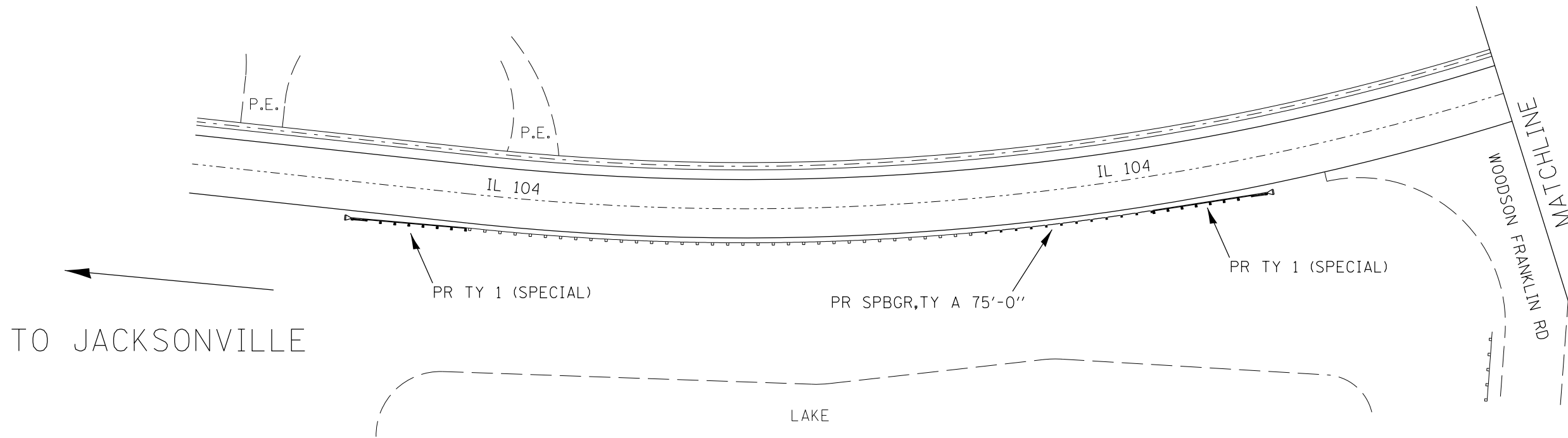
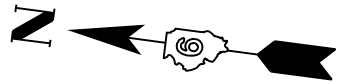


SPECIAL DETAIL
LOCATION "F" ON IL 104
(PROPOSED)



FILE NAME =	USER NAME = laughlinr1	DESIGNED -	REVISED -
ct:\pwork\pwork\laughlinr1\0247411\0672E15-sht-Guardrail-details.dgn		DRAWN -	REVISED -
	PLOT SCALE = 100.0000' / 1in.	CHECKED -	REVISED -
	PLOT DATE = Feb-04-2011 07:02:27AM	DATE -	REVISED -

STATE OF ILLINOIS
DEPARTMENT OF TRANSPORTATION

D6 GUARDRAIL END REPL
GUARDRAIL DETAIL SHEETS

SCALE: SHEET NO. OF SHEETS STA. TO STA.

F.A.P. RTE.	SECTION	COUNTY	TOTAL SHEETS	SHEET NO.
	**	*	34	21
			CONTRACT NO. 72E15	