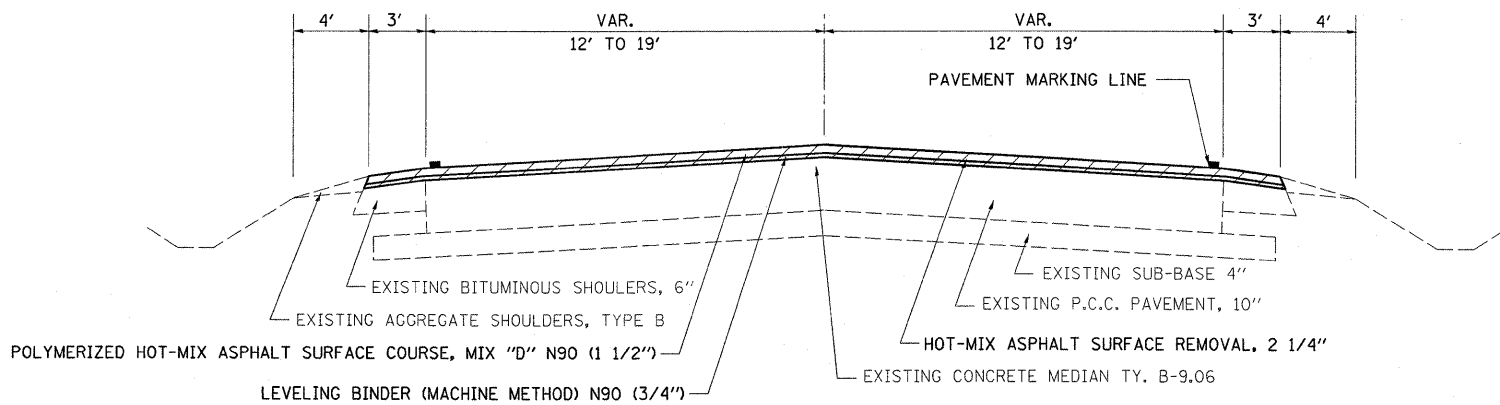
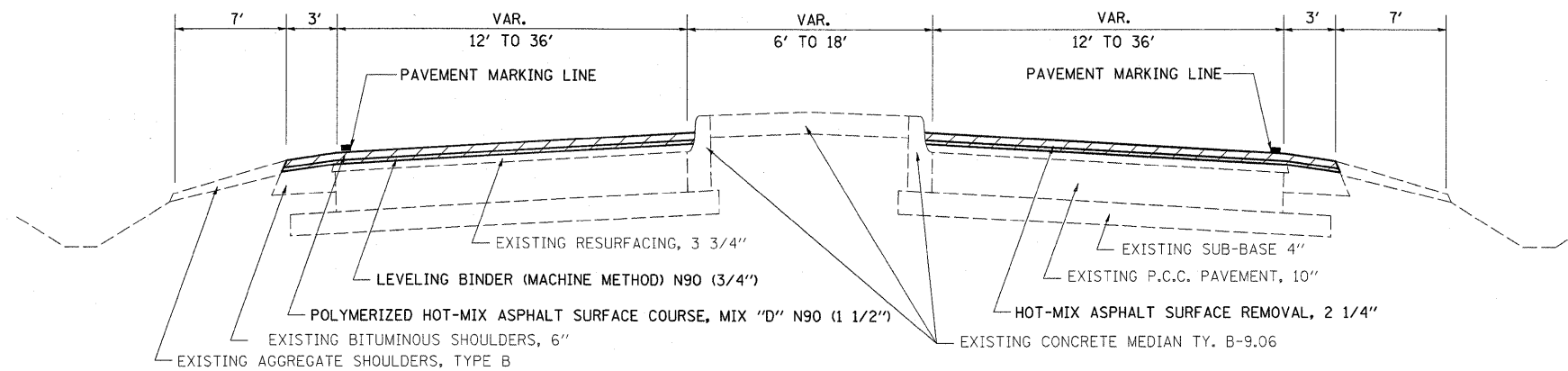


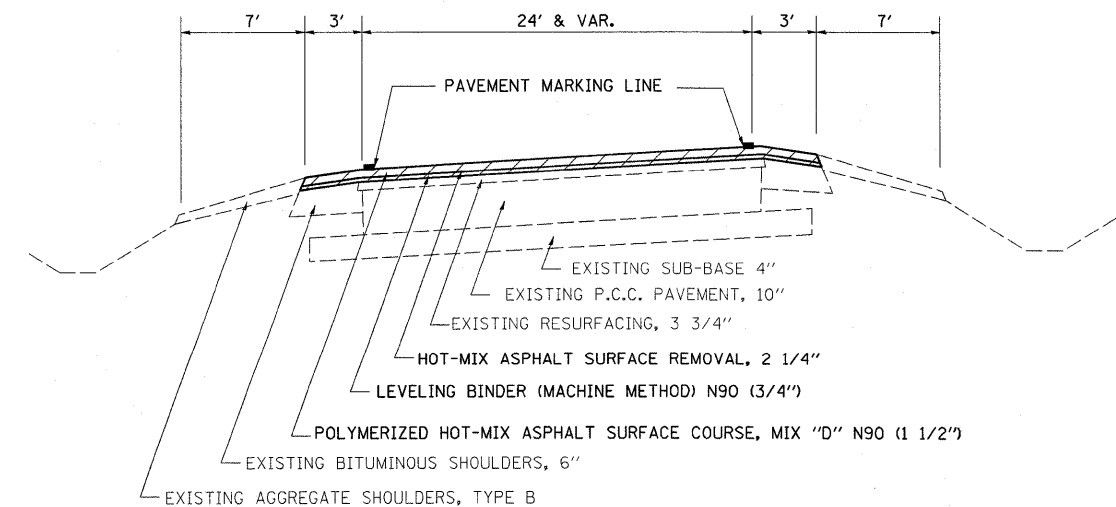
VETERANS AVE.
STA. 7E+25 TO STA 10E+48



VETERANS AVE.
STA. 1E+96 TO STA 7E+25



RTE 51
STA. 33+19 TO STA. 70+63



RTE 51
STA. 27+07 TO STA 33+19

FILE NAME =
c:\pw\work\p\dot\teeslejck\0186004\074459-sht-typicals.dgn

USER NAME = teeslejck
DESIGNED -
DRAWN -
PLOT SCALE = 50.0000' / 1/4"
PLOT DATE = 2/10/2011

DESIGNED -
DRAWN -
CHECKED -
DATE -

REVISED -
REVISED -
REVISED -
REVISED -

**STATE OF ILLINOIS
DEPARTMENT OF TRANSPORTATION**

TYPICALS

SCALE: SHEET NO. OF SHEETS STA. TO STA.

F.A.P. RTE. 322	SECTION (26-2)RS-2	COUNTY Fayette	TOTAL SHEETS 11	SHEET NO. 5
CONTRACT NO. 74459				
ILLINOIS FED. AID PROJECT				