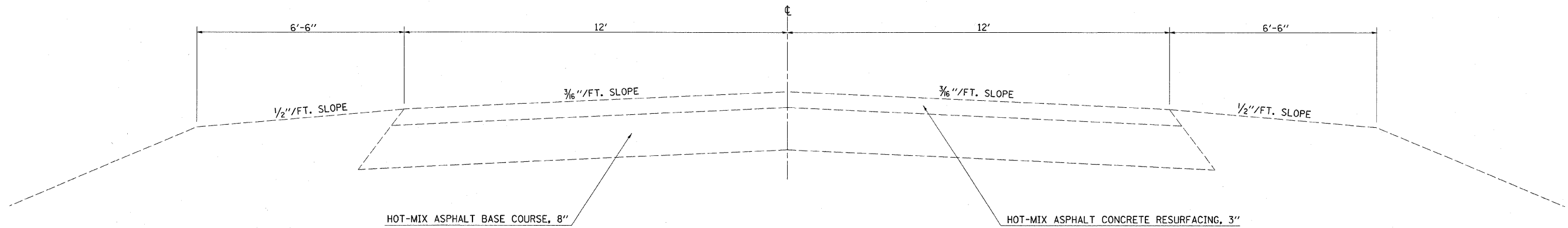


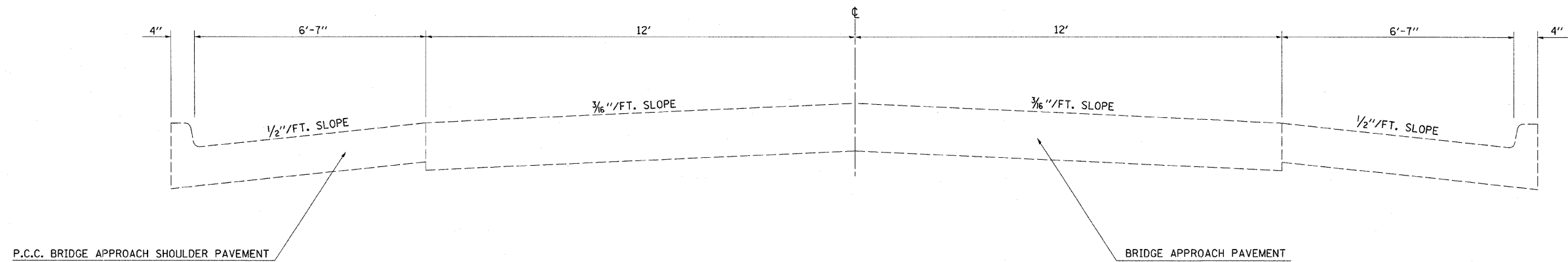
EXISTING TYPICAL CROSS SECTION

STA. 927+79.15 TO STA. 955+64.15



EXISTING TYPICAL CROSS SECTION

STA. 955+64.15 TO STA. 955+84.15
STA. 960+25.90 TO STA. 960+25.90



FILE NAME = c:\pw_work\p\wdot\swartzw\0209300\0774485-sht-typicals.dgn	USER NAME = swartzw	DESIGNED -	REVISED -	STATE OF ILLINOIS DEPARTMENT OF TRANSPORTATION	TYPICAL CROSS SECTIONS			F.A.P. RTE.	SECTION	COUNTY	TOTAL SHEETS	SHEET NO.
	PLOT SCALE = 50,000 / IN.	DRAWN -	REVISED -		821	D7 BRIDGE REPAIRS 2011-1	WAYNE	23	4			
PLOT DATE = 2/3/2011	CHECKED -	REVISED -	SCALE: NA SHEET NO. 1 OF 3 SHEETS STA. TO STA.				CONTRACT NO. 74485					
	DATE -	REVISED -	ILLINOIS FED. AID PROJECT									