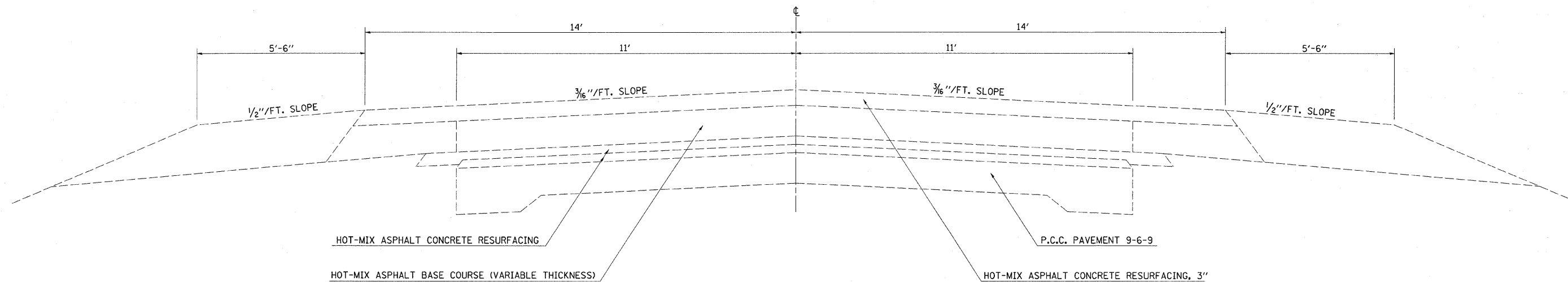


**EXISTING TYPICAL CROSS SECTION**

STA. 960+25.90 TO STA. 963+70.00



FILE NAME =	USER NAME = swartzw	DESIGNED -	REVISED -	<b>STATE OF ILLINOIS DEPARTMENT OF TRANSPORTATION</b>	<b>TYPICAL CROSS SECTIONS</b>			F.A.P. RTE.	SECTION	COUNTY	TOTAL SHEETS	SHEET NO.	
c:\pwwork\pwwork\swartzw\d0209308\d77485-sht-typicals.dgn	485-sht-typicals.dgn	DRAWN -	REVISED -		SCALE: NA	SHEET NO. 2 OF 3 SHEETS	STA.	TO STA.	821	D7 BRIDGE REPAIRS 2011-1	WAYNE	23	5
	PLOT SCALE = 50.0000' / IN.	CHECKED -	REVISED -		CONTRACT NO. 74485								
	PLOT DATE = 2/3/2011	DATE -	REVISED -		ILLINOIS FED. AID PROJECT								