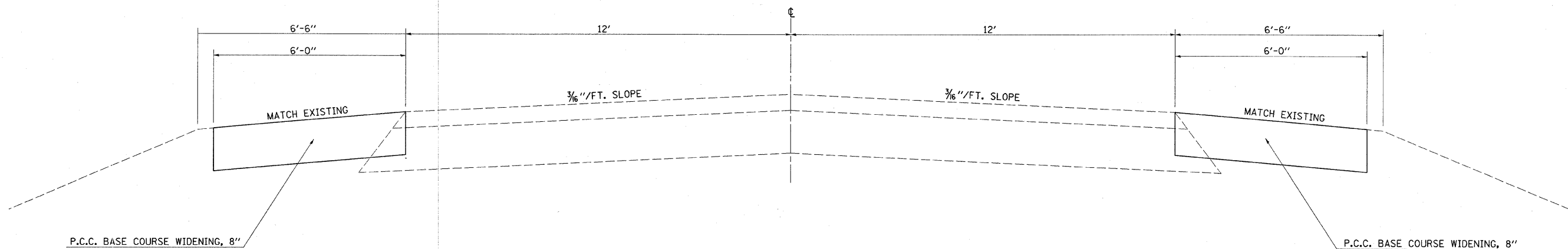


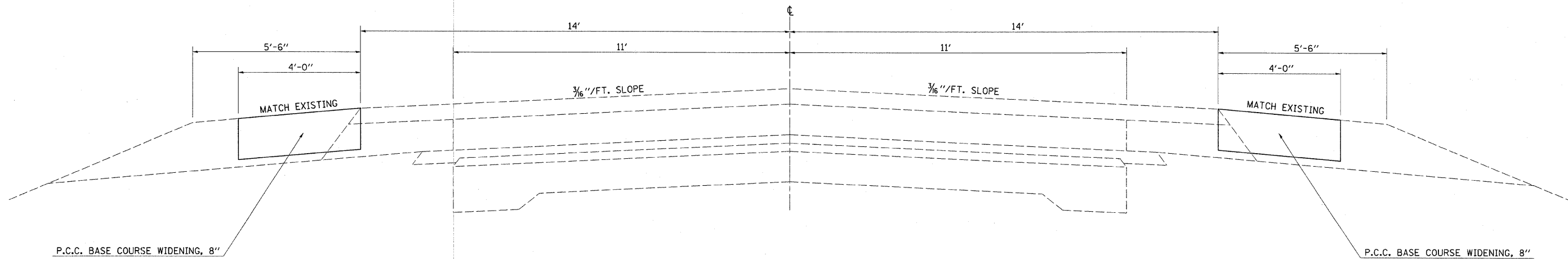
PROPOSED TYPICAL CROSS SECTION

STA. 927+79.15 TO STA. 955+64.15



PROPOSED TYPICAL CROSS SECTION

STA. 960+25.90 TO STA. 963+70.00



FILE NAME =	USER NAME = swartzw	DESIGNED -	REVISED -	STATE OF ILLINOIS DEPARTMENT OF TRANSPORTATION	TYPICAL CROSS SECTIONS			F.A.P. RTE.	SECTION	COUNTY	TOTAL SHEETS	SHEET NO.	
c:\pwork\p\p\dot\swartzw\d0209308\d77	485-sh-typical.dgn	DRAWN -	REVISED -		SCALE: NA	SHEET NO. 3 OF 3 SHEETS	STA.	TO STA.	821	D7 BRIDGE REPAIRS 2011-1	WAYNE	23	6
	PLOT SCALE = 50.0000 ' / IN.	CHECKED -	REVISED -										
	PLOT DATE = 2/3/2011	DATE -	REVISED -										
ILLINOIS FED. AID PROJECT												CONTRACT NO. 74485	