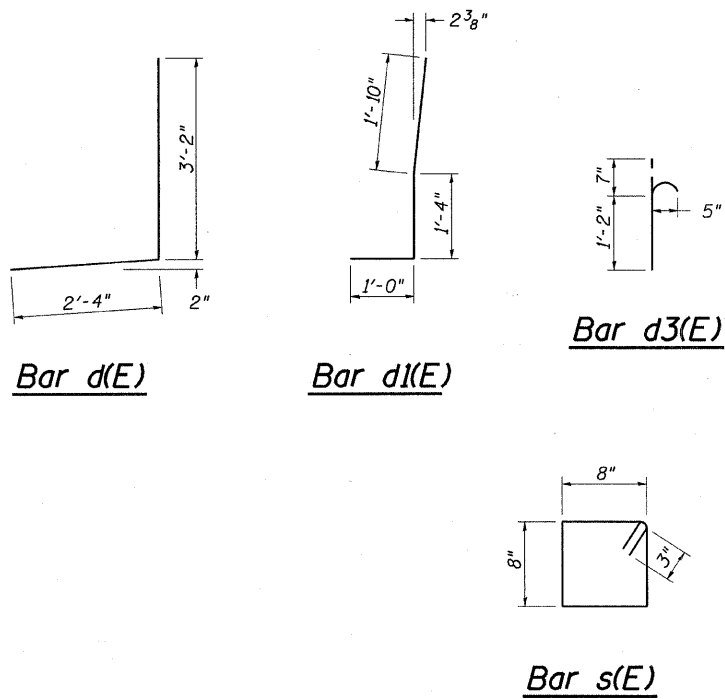


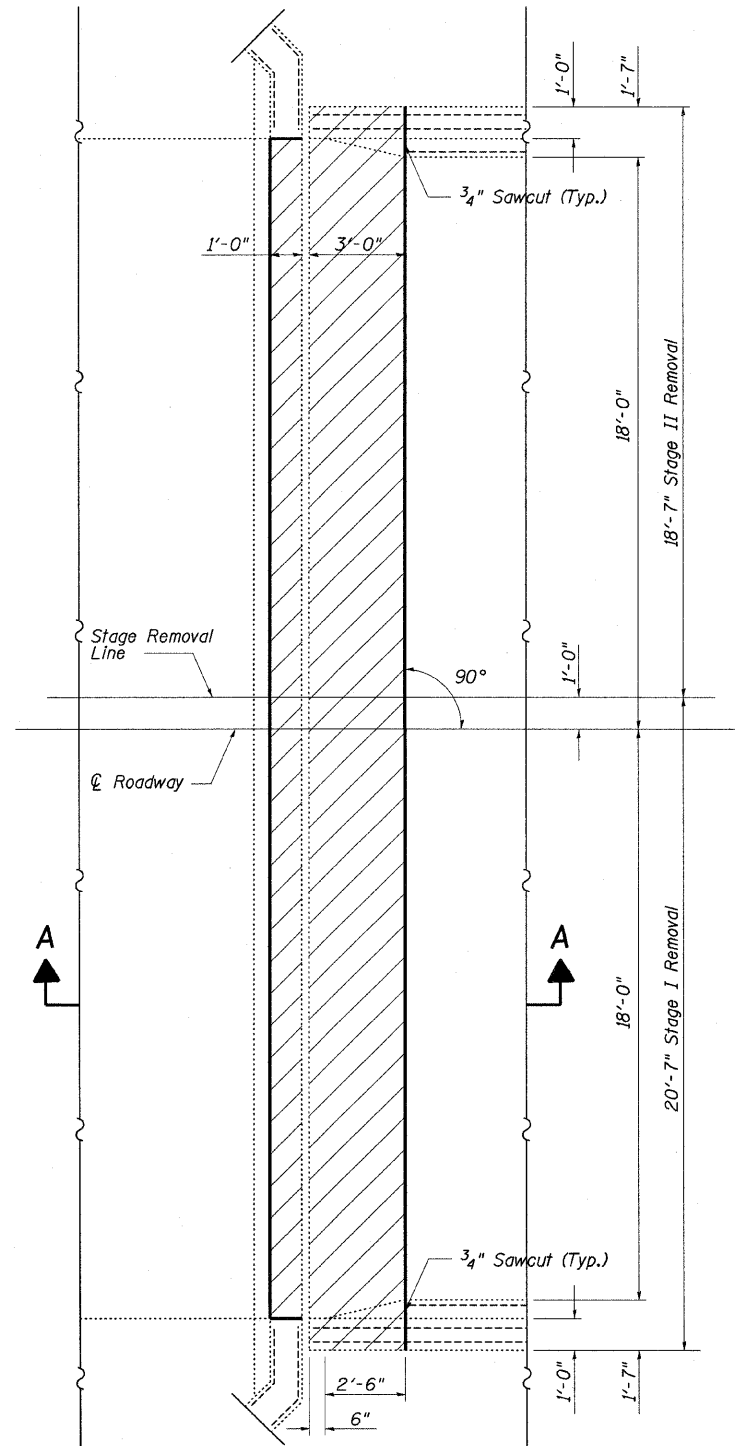
BILL OF MATERIAL

PER ABUTMENT

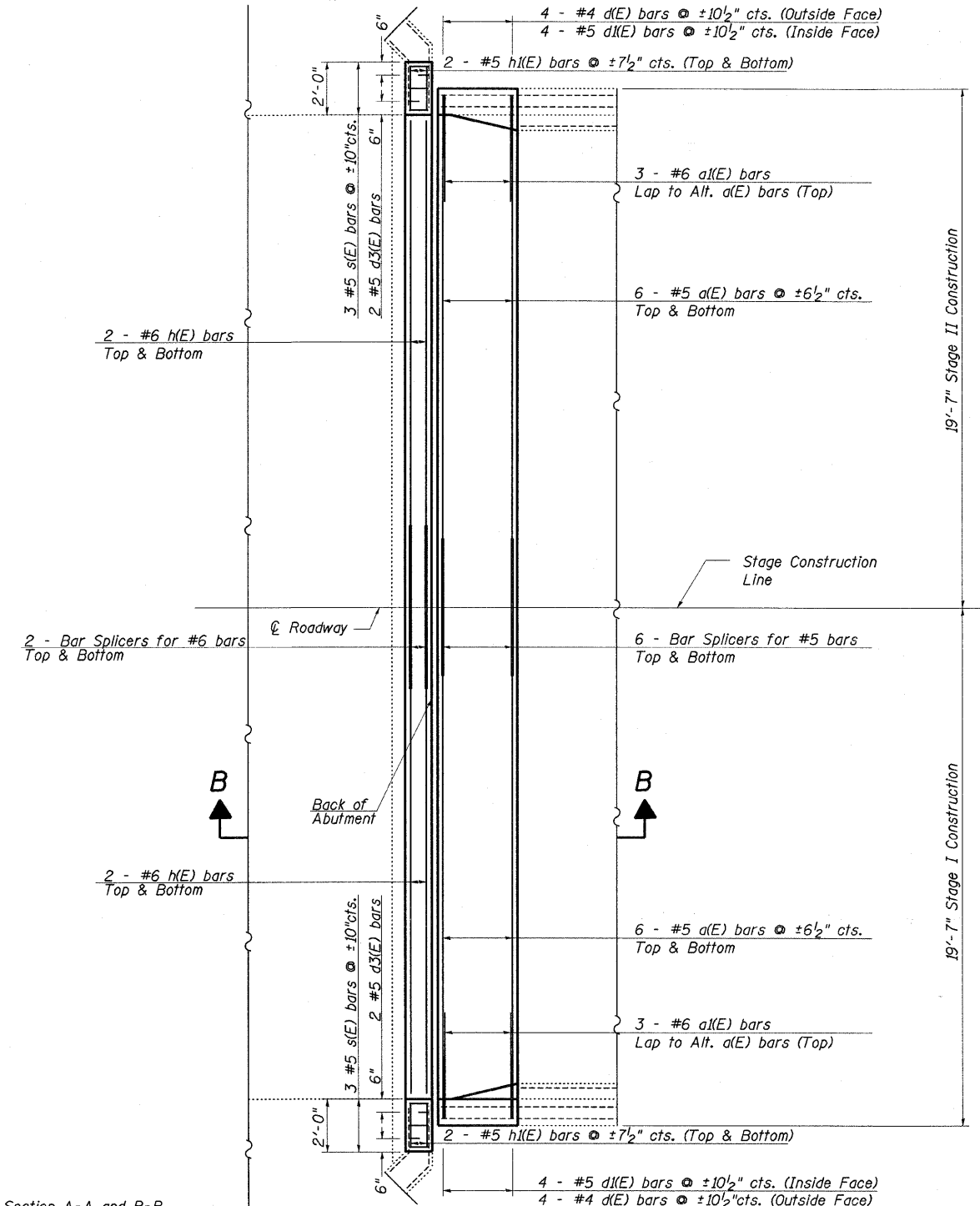
BAR	NUMBER OF BARS		TOTAL	SIZE	LENGTH	SHAPE
	STAGE I	STAGE II				
a(E)	12	12	24	#5	19'-2"	—
a1(E)	3	3	6	#6	4'-0"	—
d(E)	4	4	8	#4	5'-6"	J
d1(E)	4	4	8	#5	4'-2"	J
d3(E)	2	2	4	#5	1'-9"	┌
h(E)	4	4	8	#6	18'-2"	—
h1(E)	8	8	16	#5	1'-8"	—
s(E)	6	6	12	#5	3'-2"	□
REINFORCEMENT BARS (EPOXY COATED)					POUND	870
CONCRETE REMOVAL					CU YD	5.8
CONCRETE SUPERSTRUCTURE (South Abutment)					CU YD	6.2
CONCRETE SUPERSTRUCTURE (North Abutment)					CU YD	6.1
BAR SPLICERS					EACH	16



Hatched area indicates removal.



EXISTING PARTIAL PLAN
(South Abutment shown; North Abutment similar)



For Section A-A and B-B
See sheet 4 of 8.

PROPOSED PARTIAL PLAN
(South Abutment shown; North Abutment similar)

*07 Bridge Repairs 2011-1