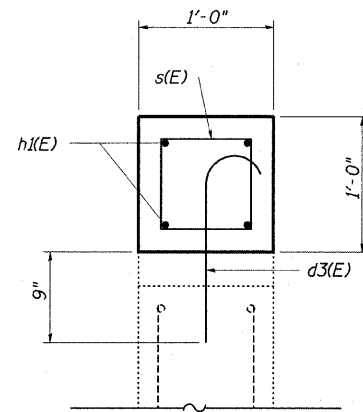
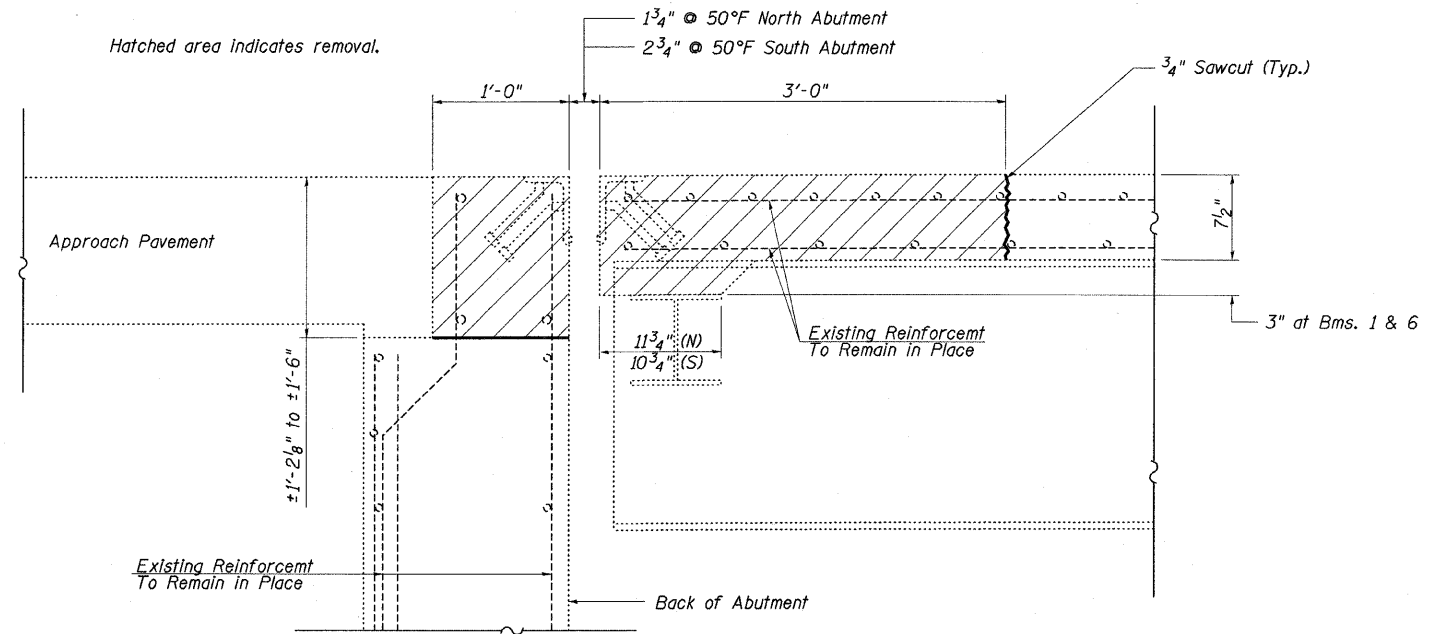


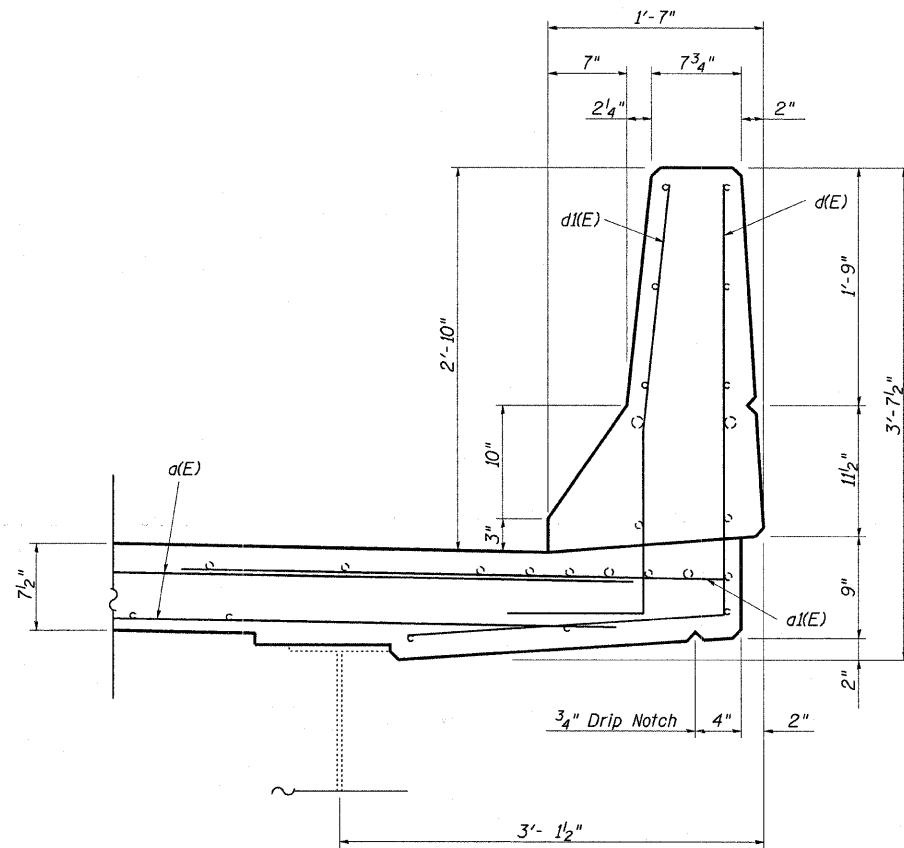
Note: Epoxy grout d3 (E) bars according to Art. 584 of the Standard Specifications.



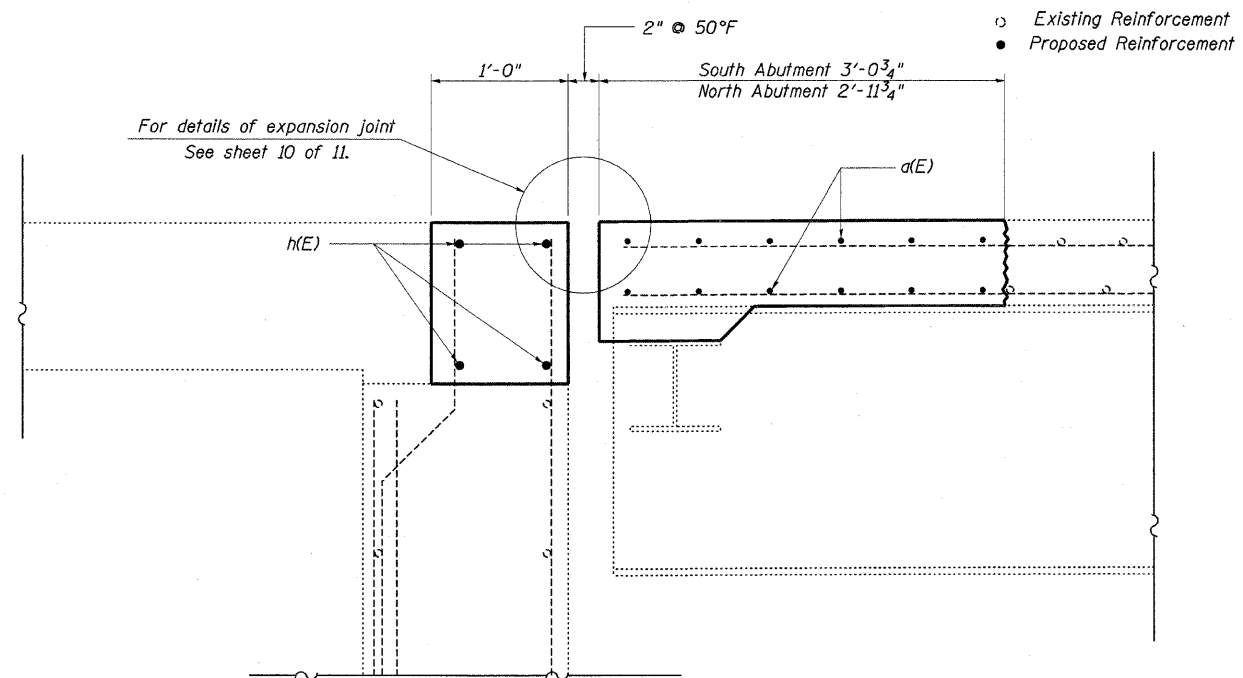
WING DETAIL



SECTION A-A
(Dimensions at Rt. L's to end of deck)



SECTION THRU PARAPET



SECTION B-B
(Dimensions at RT L's to end of deck)

FILE NAME =	USER NAME = swartzrw	DESIGNED - ESS	REVISED -	STATE OF ILLINOIS DEPARTMENT OF TRANSPORTATION	EXPANSION JOINT REPLACEMENT DETAILS-ABUTMENTS		F.A.P. 821		SECTION		COUNTY		TOTAL SHEETS		SHEET NO.	
4485-sht-brdetails-0960062.dgn		DRAWN - ESS	REVISED -		SN. 096-0062		821		Wayne		23		12			
PLT SCALE = 20.0000 1 / IN.		CHECKED - MEA	REVISED -		SCALE: NA		SHEET NO. 4 OF 11 SHEETS		STA.		TO STA.		CONTRACT NO. 74485			
PLT DATE = 2/3/2011		DATE - 11/24/2010	REVISED -		ILLINOIS FED. AID PROJECT											

•07 Bridge Repairs 2011-1