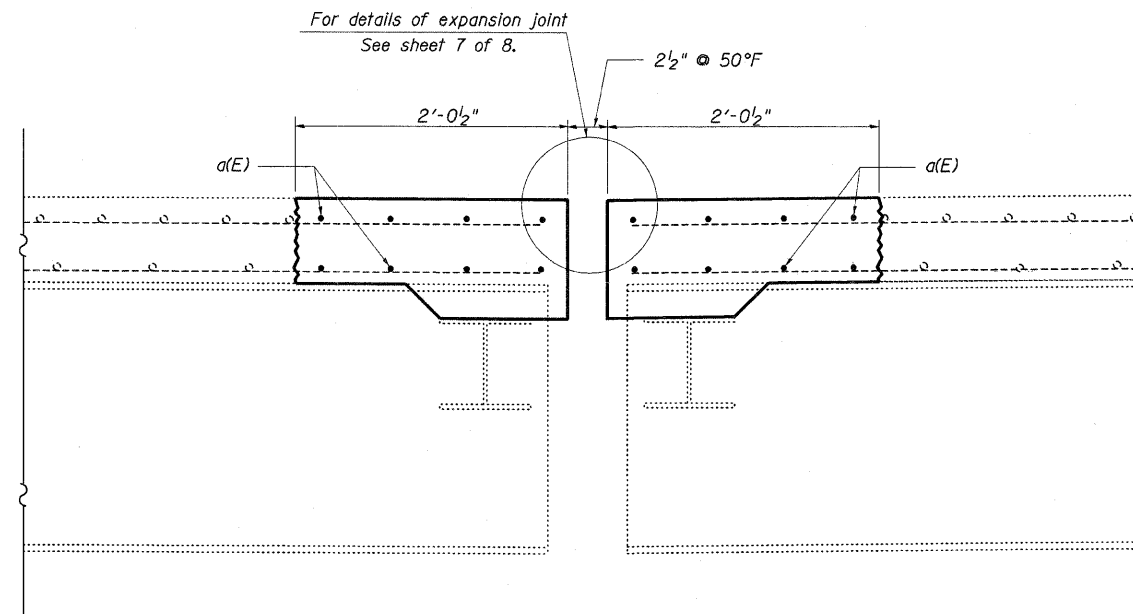
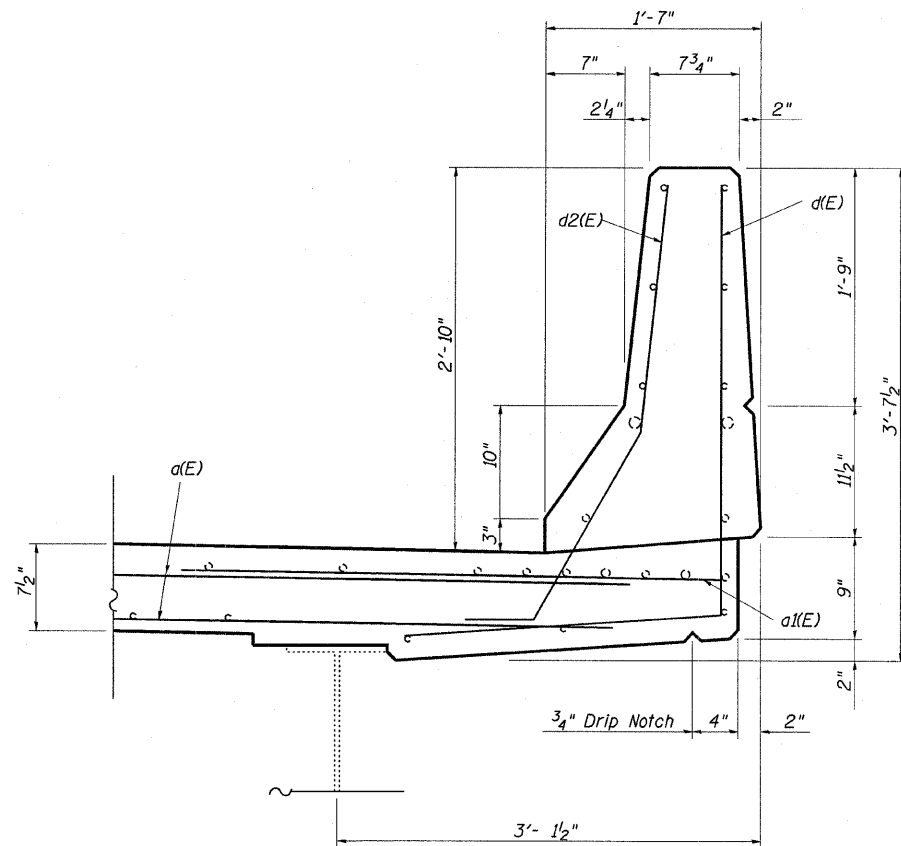


SECTION C-C
(Dimensions at Rt. L's to end of deck)

○ Existing Reinforcement
● Proposed Reinforcement



SECTION D-D
(Dimensions at RT L's to end of deck)



SECTION THRU PARAPET

FILE NAME =	USER NAME = swartzw	DESIGNED - ESS	REVISED -
c:\pwork\pwidot\swartzw\d0209308\10-7	4485-shr-b-detailed-0960062.dgn	DRAWN - ESS	REVISED -
	PLOT SCALE = 20,0000 ' / IN.	CHECKED - MEA	REVISED -
	PLOT DATE = 2/3/2011	DATE - 11/24/2010	REVISED -

**STATE OF ILLINOIS
DEPARTMENT OF TRANSPORTATION**

**EXPANSION JOINT REPLACEMENT DETAILS-PIER 5
SN. 096-0062**

SCALE: NA SHEET NO. 6 OF 11 SHEETS STA. TO STA.

*07 Bridge Repairs 2011-1				
F.A.P. RTE.	SECTION	COUNTY	TOTAL SHEETS	SHEET NO.
821	•	Wayne	23	14
			CONTRACT NO. 74485	
ILLINOIS FED. AID PROJECT				