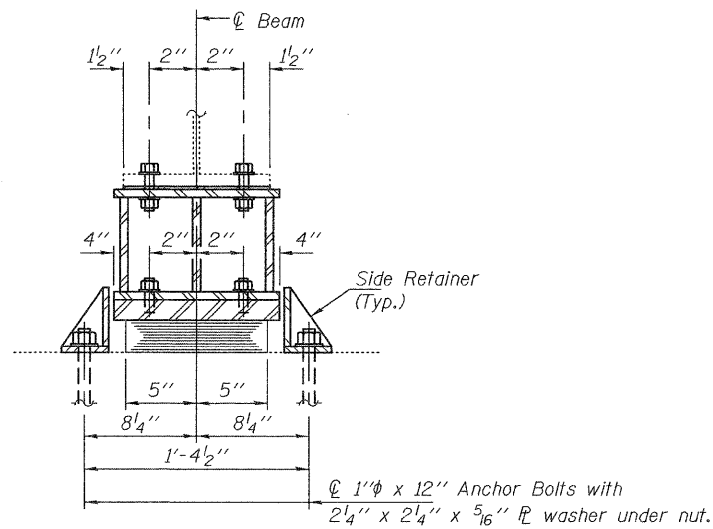


ELEVATION AT N. ABUTMENT

TYPE I ELASTOMERIC EXP. BRG.



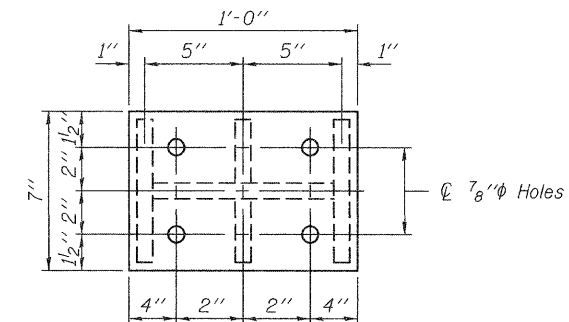
SECTION A-A

BEAM REACTIONS

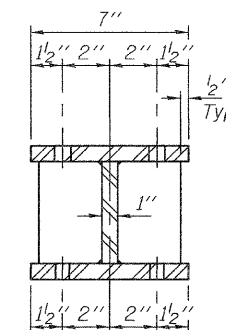
RP	(K)	11.9
Rt	(K)	27.5
Imp.	(K)	8.3
R (Total)	(K)	47.7

Notes:

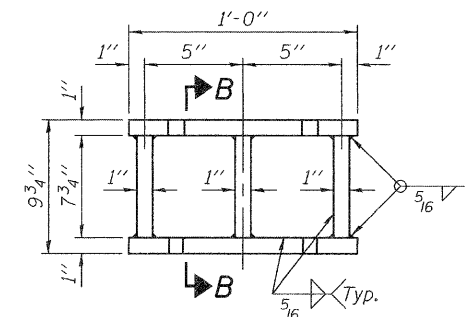
Diaphragm removal and reinstallation may be required to facilitate drilling holes. Cost included with Furnishing and Erecting Structural Steel.
 New steel extensions, shim plates and connection bolts are included with Furnishing and Erecting Structural Steel.
 Prior to ordering any material, the Contractor shall verify in the field all bearing height and shim thickness dimensions. Min. jack capacity = 30 Tons.
 Anchor bolts shall be ASTM F1554 all-thread (or an Engineer-approved alternate material) of the grade(s) and diameter(s) specified. ASTM A307 Grade C anchor bolts may be used in lieu of ASTM F1554 Grade 36 (Fy=36ksi). The corresponding specified grade of AASHTO M314 anchor bolts may be used in lieu of ASTM F1554.
 Anchor bolts at fixed bearings may be either cast in place or installed in holes drilled after the supported member is in place.
 Drilled and set anchor bolts shall be installed according to Article 521.06 of the Standard Specifications.
 Side retainers shall be included in the cost of Elastomeric Bearing Assembly, Type I.



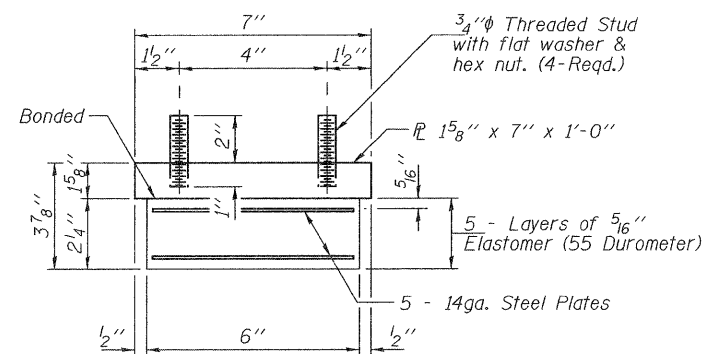
PLAN TOP AND BOTTOM PLATE



SECTION B-B

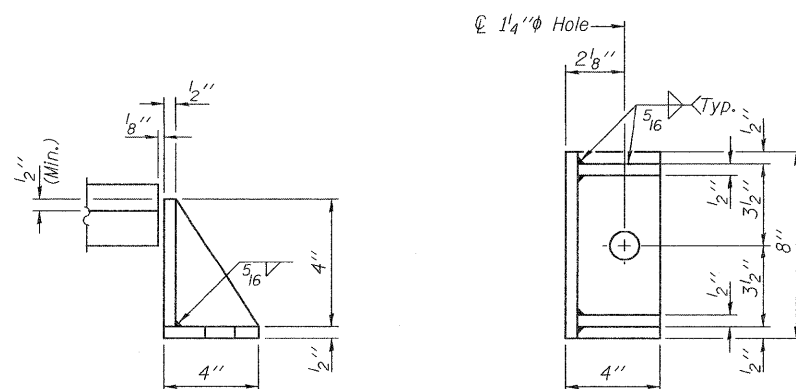


STEEL EXTENSION DETAIL



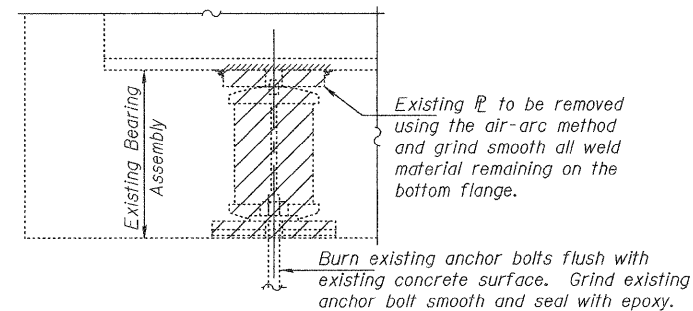
BEARING ASSEMBLY

Note: Shim plates shall not be placed under Bearing Assembly.



SIDE RETAINER

Equivalent rolled angle with stiffeners will be allowed in lieu of welded plates.



EXISTING BEARING REMOVAL DETAIL

Cost included with Jack and Remove Existing Bearings.

BILL OF MATERIAL

Item	Unit	Total
Elastomeric Bearing Assembly, Type I	Each	6
Jack and Remove Existing Bearings	Each	6
Furnishing and Erecting Structural Steel	Pound	640
Anchor Bolts 1"φ	Each	12

TYI/REPS 12-03-2008

DESIGNED IJL
 CHECKED DAB
 DRAWN baliva
 CHECKED IJL DAB

EXAMINED
 PASSED
 ACTING ENGINEER OF STRUCTURAL SERVICES
 ACTING ENGINEER OF BRIDGES AND STRUCTURES

DATE - MARCH 7, 2011

STATE OF ILLINOIS
 DEPARTMENT OF TRANSPORTATION

N. ABUTMENT BEARING REPLACEMENT DETAILS
 SN 096-0062
 SHEET NO. 2 OF 3 SHEETS

F.A. R.T.E. 821
 SECTION DT BRIDGE REPAIRS 2011-1
 COUNTY WAYNE
 TOTAL SHEETS 23
 SHEET NO. 16
 CONTRACT NO. 74485
 ILLINOIS FED. AID PROJECT