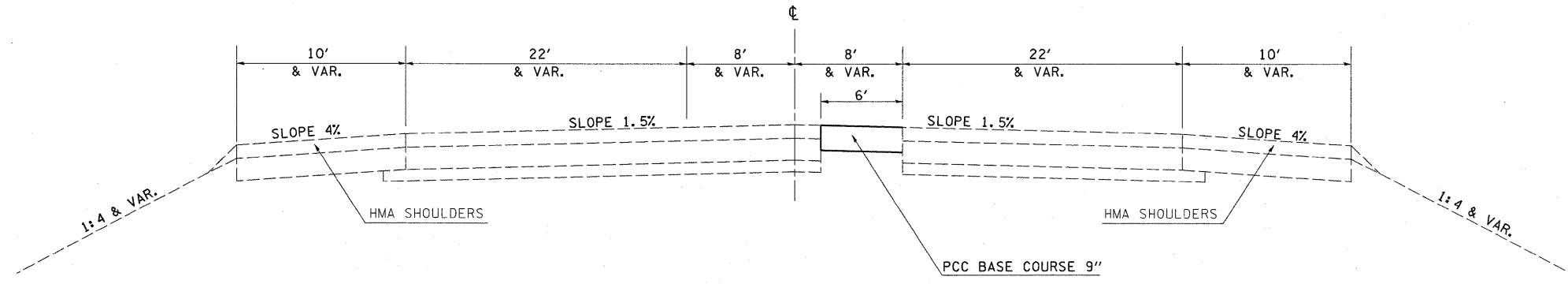
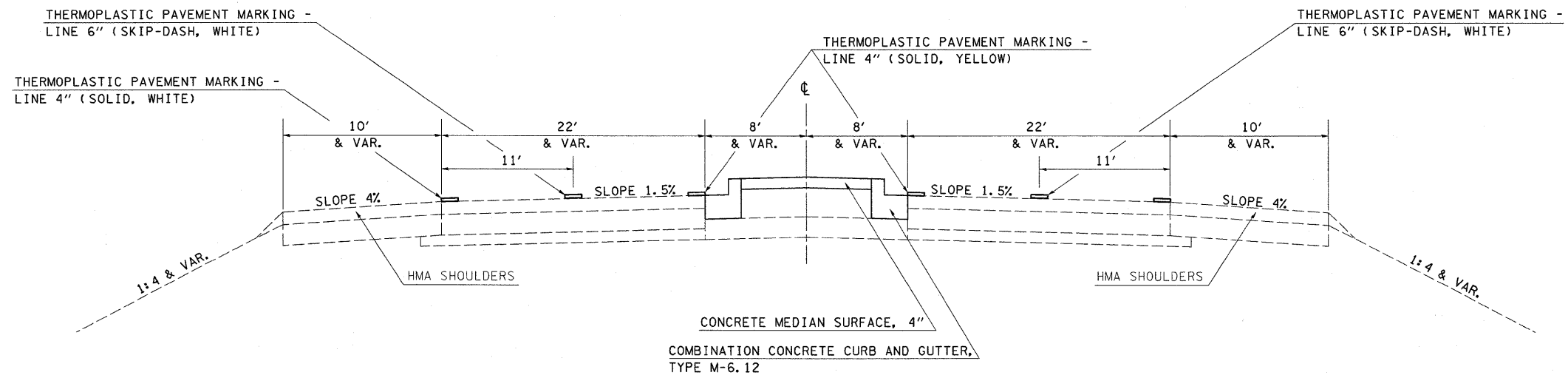


EXISTING TYPICAL CROSS SECTION
ILLINOIS ROUTE 49



STAGE CONSTRUCTION TYPICAL CROSS SECTION
ILLINOIS ROUTE 49

STA 44+00 TO STA 46+65
STA 53+43 TO STA 56+10 *
* MIRROR ABOUT CENTERLINE



PROPOSED TYPICAL CROSS SECTION
ILLINOIS ROUTE 49

FILE NAME =	USER NAME = teasleyck	DESIGNED -	REVISED -
c:\pwork\pwork\dot\teasleyck\j08209700\07	4494-shr-typicals.dgn	DRAWN -	REVISED -
	PLOT SCALE = 50.0000' / IN.	CHECKED -	REVISED -
	PLOT DATE = 2/16/2011	DATE -	REVISED -

STATE OF ILLINOIS
DEPARTMENT OF TRANSPORTATION

TYPICALS			
SCALE:	SHEET NO. OF SHEETS	STA.	TO STA.

F.A.P. RTE.	SECTION	COUNTY	TOTAL SHEETS	SHEET NO.
832		Clark	31	4
CONTRACT NO. 74494				