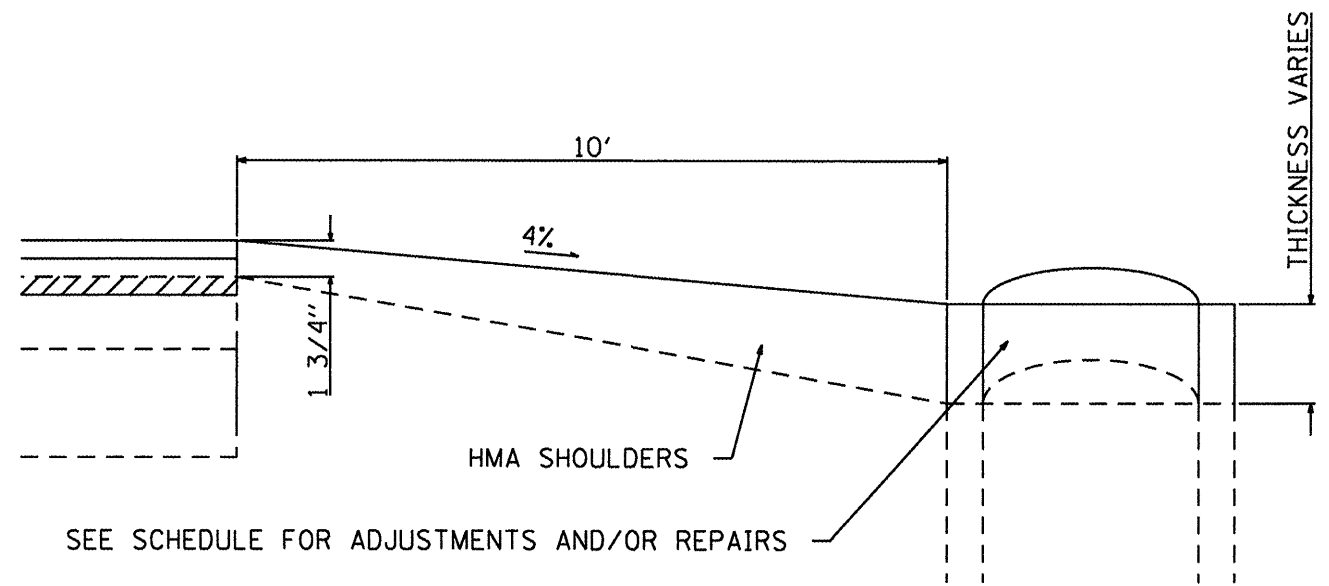


BUTT JOINT DETAIL



SHOULDER DETAIL  
LOCATIONS 7W & 6E

|             |                      |                |               |   |                                       |   |             |        |                 |              |  |
|-------------|----------------------|----------------|---------------|---|---------------------------------------|---|-------------|--------|-----------------|--------------|--|
| FILE NAME = | USER NAME = #USER#   | DESIGNED - --- | REVISED - --- | <b>STATE OF ILLINOIS<br/>DEPARTMENT OF TRANSPORTATION</b>       | <b>BUTT-JOINT AND SHOULDER DETAIL</b> | F.A.P.<br>RTE.                                | SECTION     | COUNTY | TOTAL<br>SHEETS | SHEET<br>NO. |  |
| #FILE#      | PLOT SCALE = #SCALE# | DRAWN - ---    | REVISED - --- |   |                                       | 322   | (24,25)RS-3 | MARION | 27              | 25           |  |
|             | PLOT DATE = #DATE#   | CHECKED - ---  | REVISED - --- |   |                                       | <b>CONTRACT NO. 76876</b>                     |             |        |                 |              |  |
|             |                      | DATE - -----   | REVISED - --- |   |                                       | FED. ROAD DIST. NO. ILLINOIS FED. AID PROJECT |             |        |                 |              |  |
|             |                      |                |               | SCALE: _____ SHEET NO. 25 OF 27 SHEETS STA. _____ TO STA. _____ |                                       |   |             |        |                 |              |  |