

STATE OF ILLINOIS  
DEPARTMENT OF TRANSPORTATION

GENERAL NOTES

Fasteners shall be AASHTO M164 Type 1, mechanically galvanized bolts (in painted areas and M164 Type 3 in unpainted areas). Bolts  $\frac{3}{4}$ "  $\phi$ , holes  $\frac{7}{8}$ "  $\phi$ , unless otherwise noted.

Calculated weight of Structural Steel = 78,560 lbs.

Reinforcement bars shall conform to the requirements of ASTM A 706 Gr 60. See Special Provisions.

Reinforcement bars designated (E) shall be epoxy coated.

Prior to pouring the new concrete deck, all heavy or loose rust, loose mill scale, and other loose or potentially detrimental foreign material shall be removed from the surfaces in contact with concrete. Tightly adhered paint may remain unless otherwise noted. Removal shall be accomplished by methods that will not damage the steel and the cost will be included in the pay item covering removal of the existing concrete.

As directed by the Engineer, existing construction accessories welded to the top flange of beams and girders shall be removed. The weld areas shall be ground flush and inspected for cracks using magnetic particle testing (MT) or dye penetrant testing (PT) by qualified personnel approved by the Engineer. Any cracks that cannot be removed by grinding  $\frac{1}{4}$  inch deep shall be identified and reported to the Bureau of Bridges and Structures for further disposition. The cost of removing welded accessories, grinding and inspecting weld areas and grinding cracks will be paid for according to Article 109.04 of the Standard Specifications.

Plan dimensions and details relative to existing plans are subject to nominal construction variations. The Contractor shall field verify existing dimensions and details affecting new construction and make necessary approved adjustments prior to construction or ordering of materials. Such variations shall not be cause for additional compensation for a change in scope of the work, however, the Contractor will be paid for the quantity actually furnished at the unit price bid for the work.

The contractor shall support the vaulted abutment slabs, prior to removal of the ends of the slabs. No equipment will be allowed on the vaulted slabs while any portion of the slabs are removed. See special provisions for "Temporary Slab Support System".

The existing structural steel coating contains lead. The Contractor shall take appropriate precautions to deal with the presence of lead on this project.

Existing reinforcement shall be cleaned and incorporated into the new construction. Cost included with "Concrete Removal".

Existing structural steel shall only be cleaned and painted as required by the Special Provision "Cleaning and Painting Contact Surfaces of Existing Steel Structures".

Any reinforcement bars that are damaged during concrete removal shall be repaired or replaced using an approved bar splicer or anchorage system. Cost included with "Concrete Removal".

The finger plates shall be flame cut as provided in Article 505.04(k) of the Standard Specifications.

The cost of removal and re-installation of all members necessary to complete the work shall be included with "Finger Plate Expansion Joint, 5in."

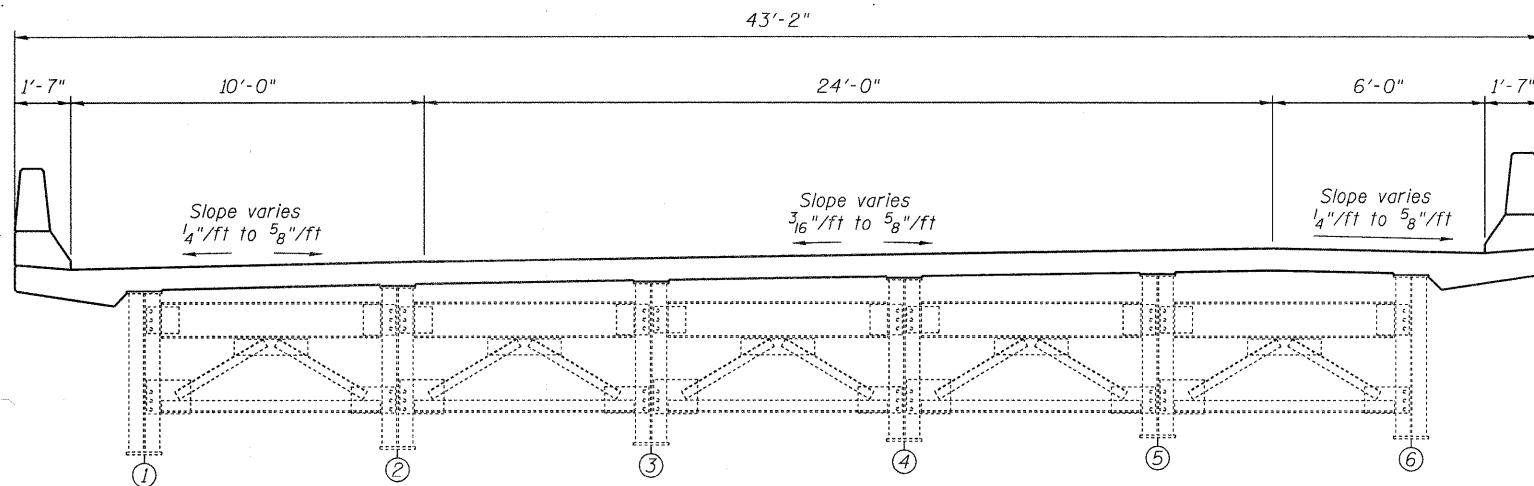
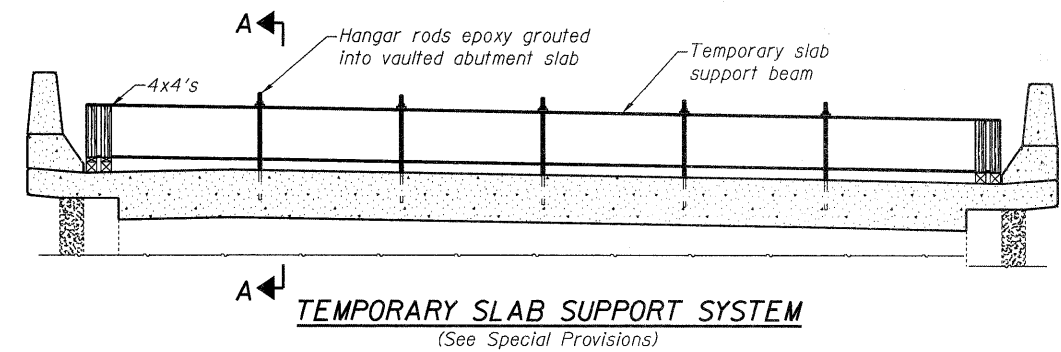
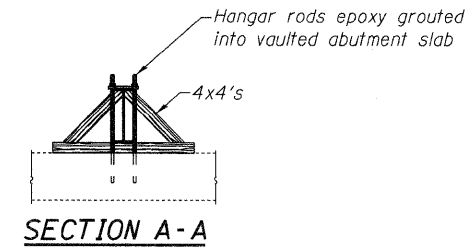
The deck surface shall be tined according to Article 420.09(e)(1) of the Standard Specifications. Cost included with "Concrete Superstructures".

All plates, bolts, anchor bolts, nuts, washers, and studs shall be galvanized according to AASHTO M111 or M232 as applicable.

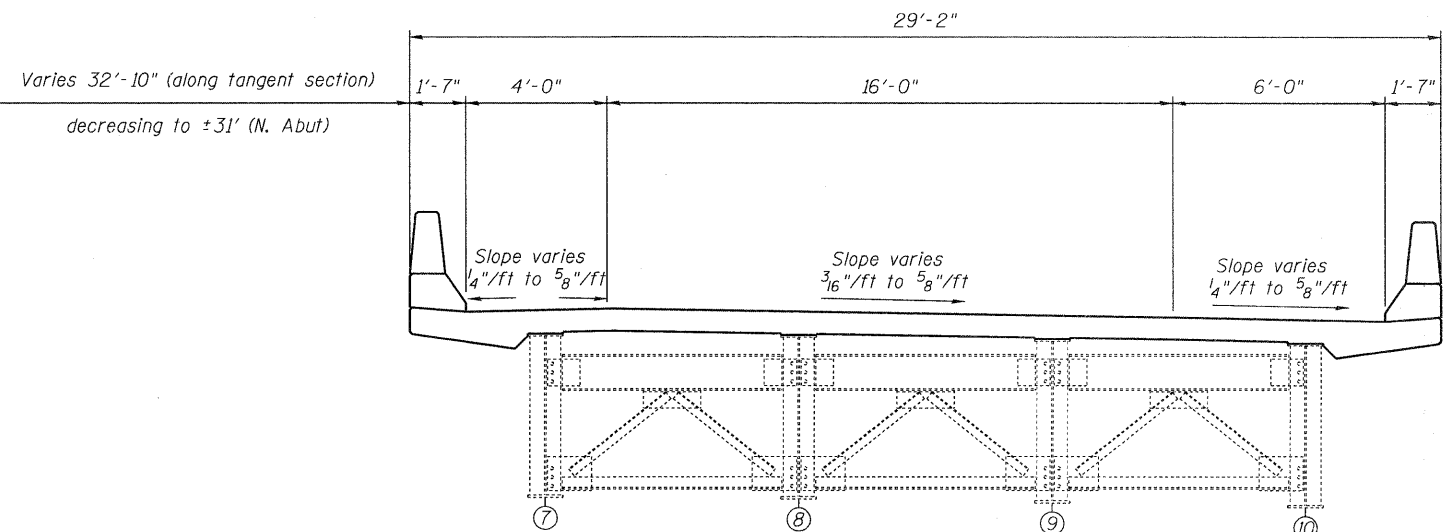
The quantity for "Structural Repair of Concrete (Depth  $\leq$  5") is for the north abutment and pier 3 caps.

The quantity for "Joint or Crack Filling" is for the joints between all 4 vaulted abutment slabs and the approach slabs. It is also for the joints between the curtain wall stone facing and the slopewall aprons on each side of both north abutments. Quantities were calculated assuming 72.7pcf x  $\frac{3}{4}$ " x  $\frac{3}{4}$ " x 255' = 72 lb.

The quantity for "Concrete Sealer" is for the top of deck, top of parapets, and inside faces of parapets at new concrete areas.



082-0217 NB RAMP E  
(Looking South)



082-0218 SB RAMP F  
(Looking South)

DESIGNED	J. Uehle
CHECKED	A. Halloway
DRAWN	J. Uehle
CHECKED	A. Halloway

EXAMINED	November 5, 2010 <i>Carl Perry</i> ENGINEER OF STRUCTURAL SERVICES
PASSED BY	<i>Ralph E. Anderson</i> ENGINEER OF BRIDGES AND STRUCTURES

GENERAL NOTES  
082-0217 & 0218

SHEET NO. 2 16 SHEETS	F.A.I. RTE. 255	SECTION 82-7HB-1	COUNTY ST. CLAIR	TOTAL SHEETS 43	SHEET NO. 9
	CONTRACT NO. 76C33 ILLINOIS FED. AID PROJECT				