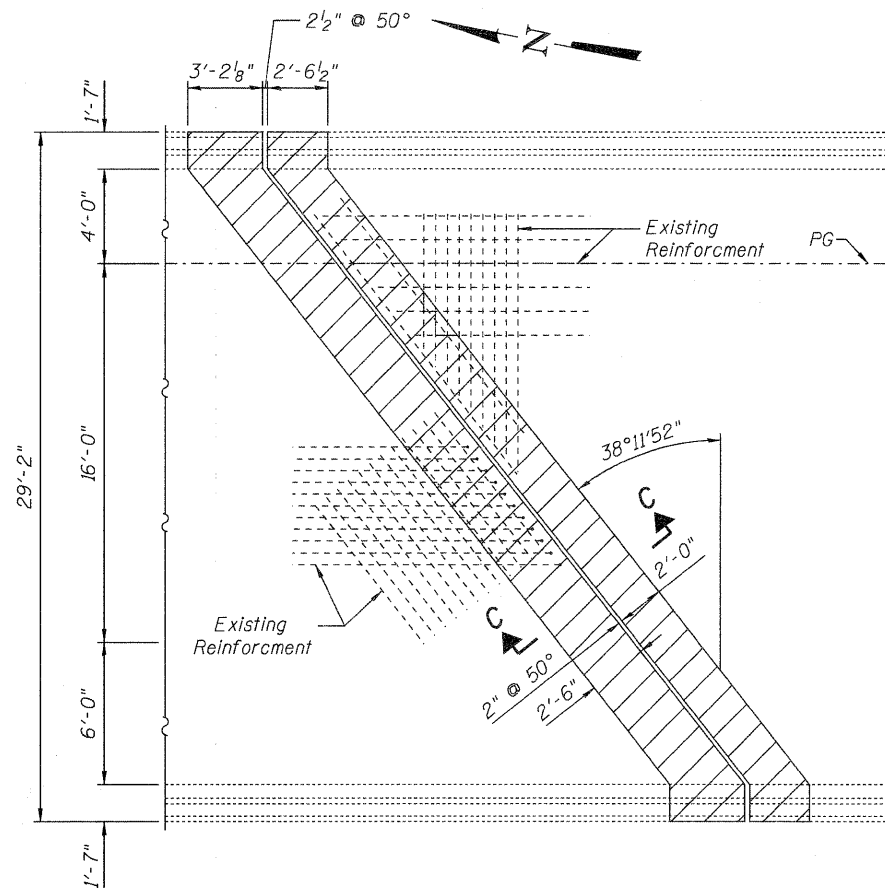
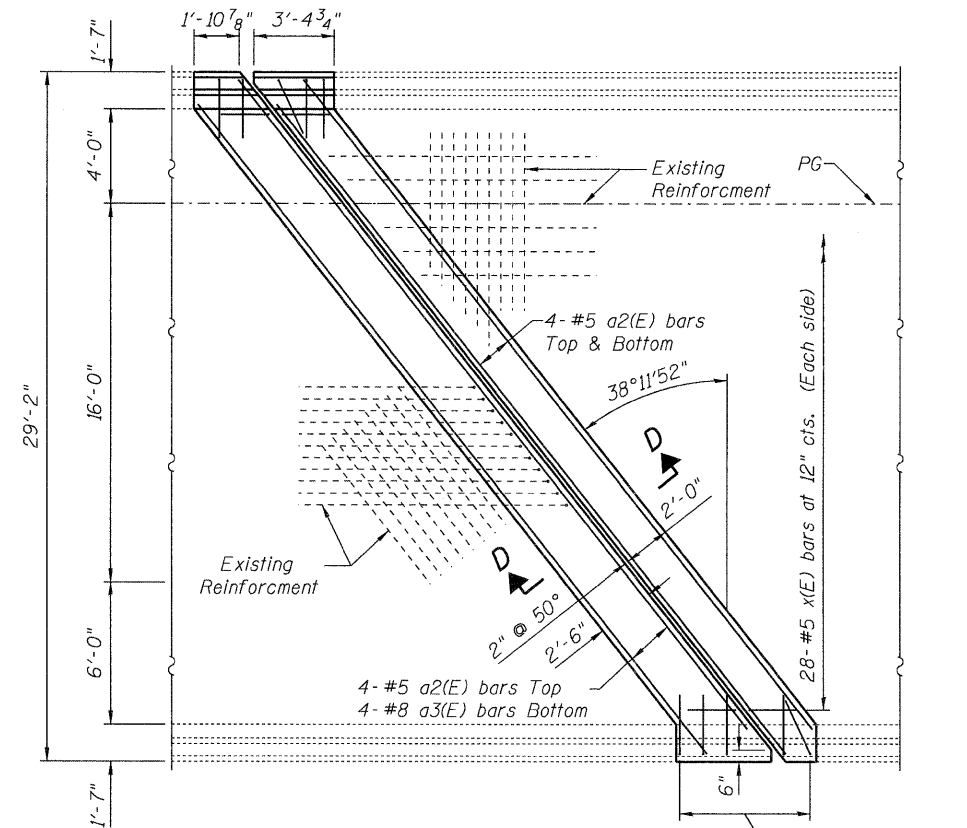


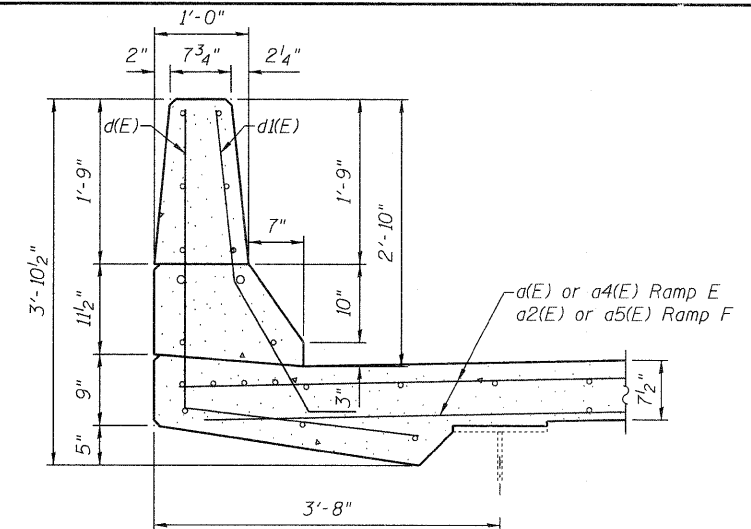
STATE OF ILLINOIS
DEPARTMENT OF TRANSPORTATION



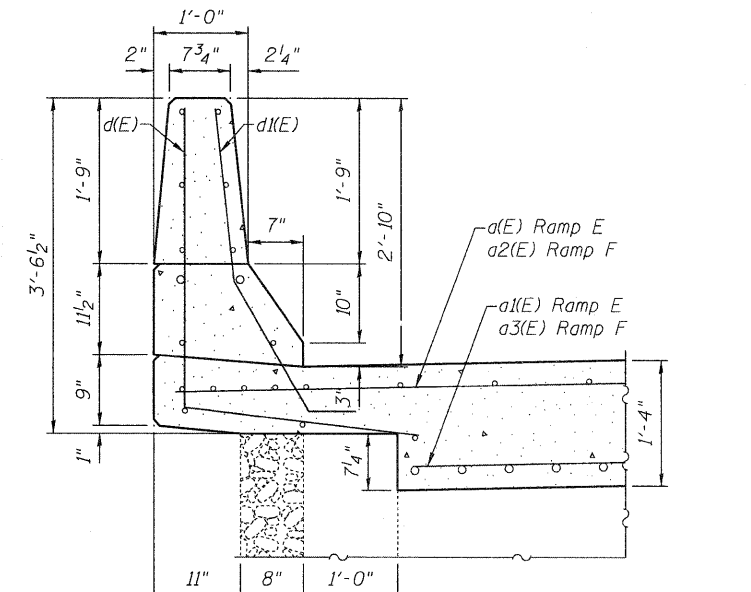
CONCRETE REMOVAL



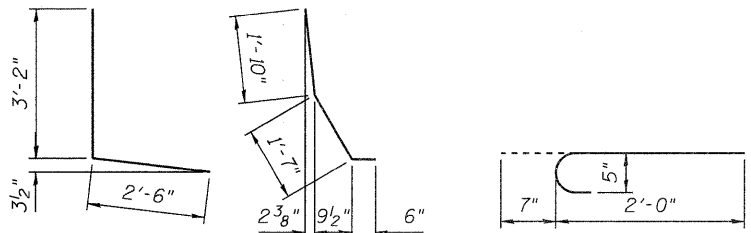
CONCRETE REPLACEMENT



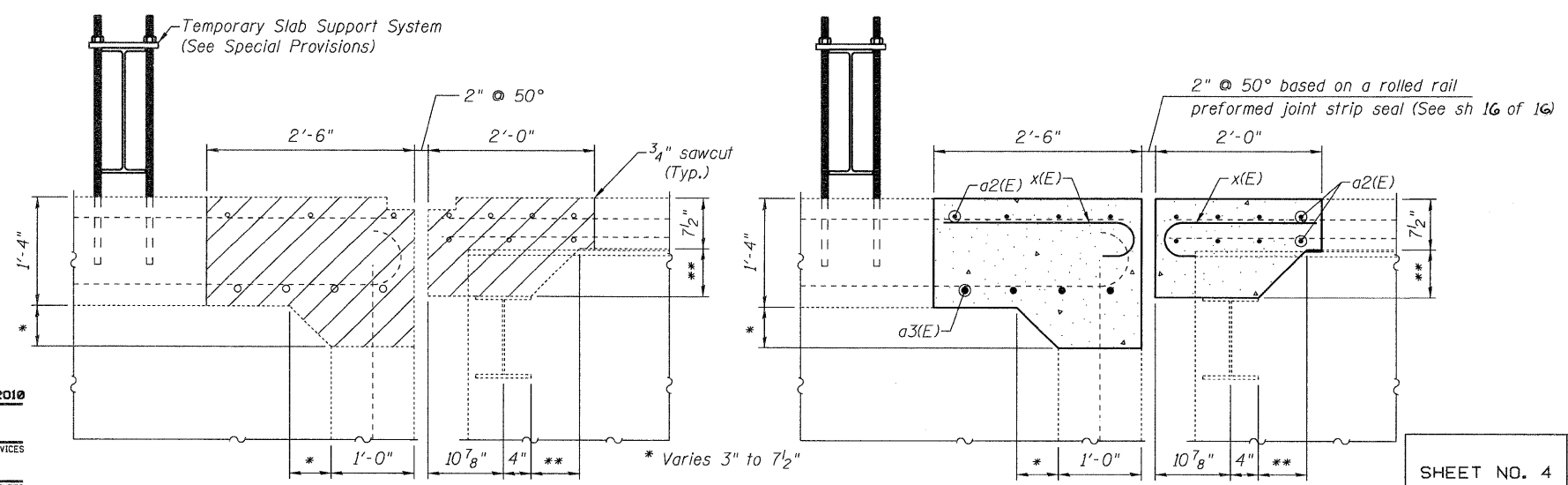
DECK PARAPET SECTION



VAULTED N. ABUTMENT SLAB PARAPET SECTION



BAR d(E) BAR d1(E) BAR x(E)



SECTION C-C

SECTION D-D

BILL OF MATERIAL

Bar	No.	Size	Length	Shape	
a2(E)	12	#5	34'-6"	—	
a3(E)	4	#8	30'-2"	—	
d(E)	10	#5	5'-8"	L	
d1(E)	10	#5	3'-11"	L	
x(E)	56	#5	2'-7"	C	
Reinforcement Bars, Epoxy Coated				Pound	1000
Concrete Superstructure				Cu. Yds.	8.6
Concrete Removal				Cu. Yds.	8.6

Bars indicated thus 4x2 -#5 etc. indicates 4 line of bars with 2 lengths per line.

RAMP F
N. ABUTMENT CONCRETE REPLACEMENT
082-0217 & 0218

DESIGNED J. Uehle
CHECKED A. Halloway
DRAWN J. Uehle
CHECKED A. Halloway

November 5, 2018
EXAMINED *A. Carl Long*
ENGINEER OF STRUCTURAL SERVICES
PASSED *Ralph E. Anderson*
ENGINEER OF BRIDGES AND STRUCTURES

SHEET NO. 4 16 SHEETS	F.A.] RTE.	SECTION	COUNTY	TOTAL SHEETS	SHEET NO.
	255	82-7HB-1	ST. CLAIR	43	11
					CONTRACT NO. 76C33
ILLINOIS FED. AID PROJECT					