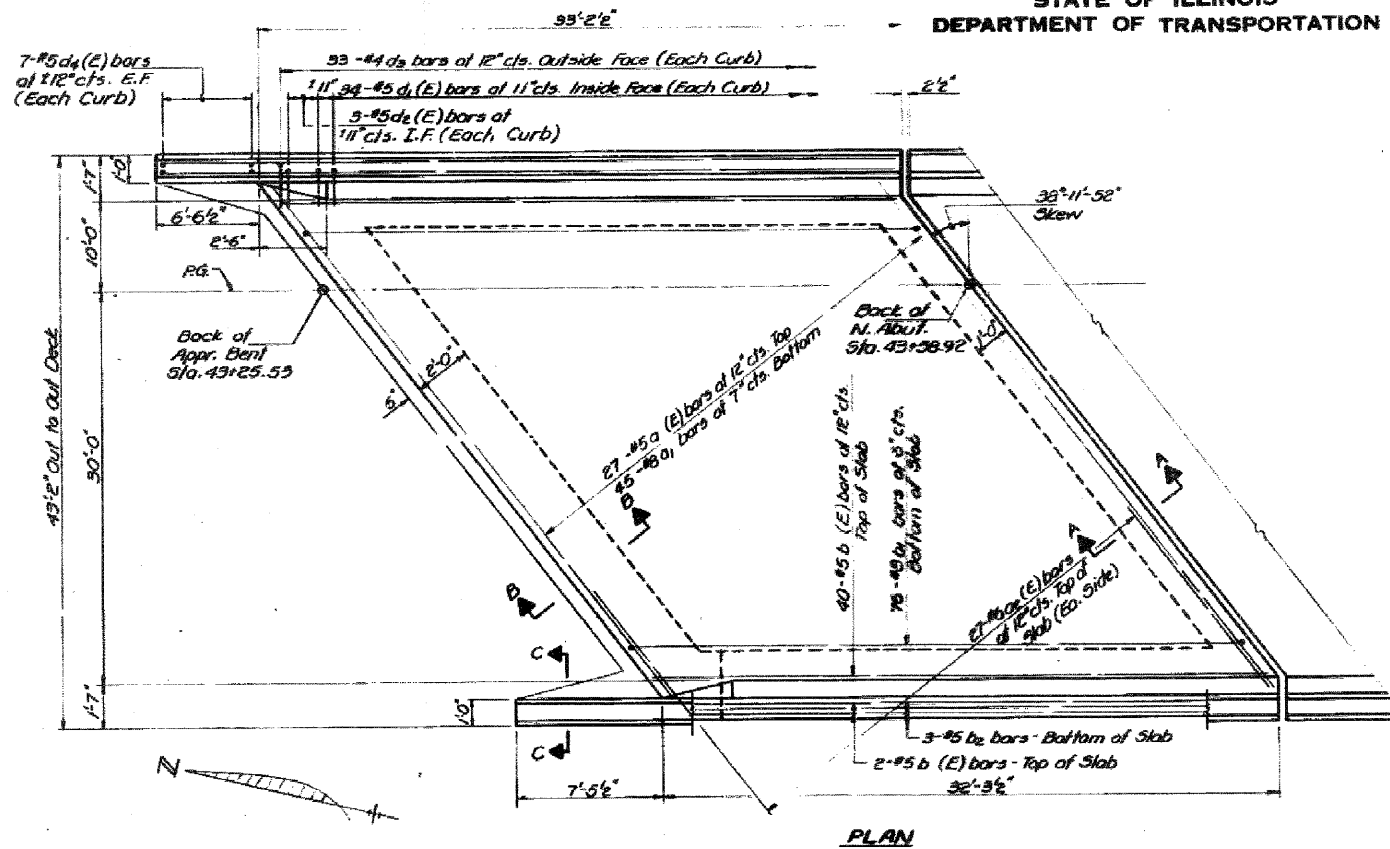
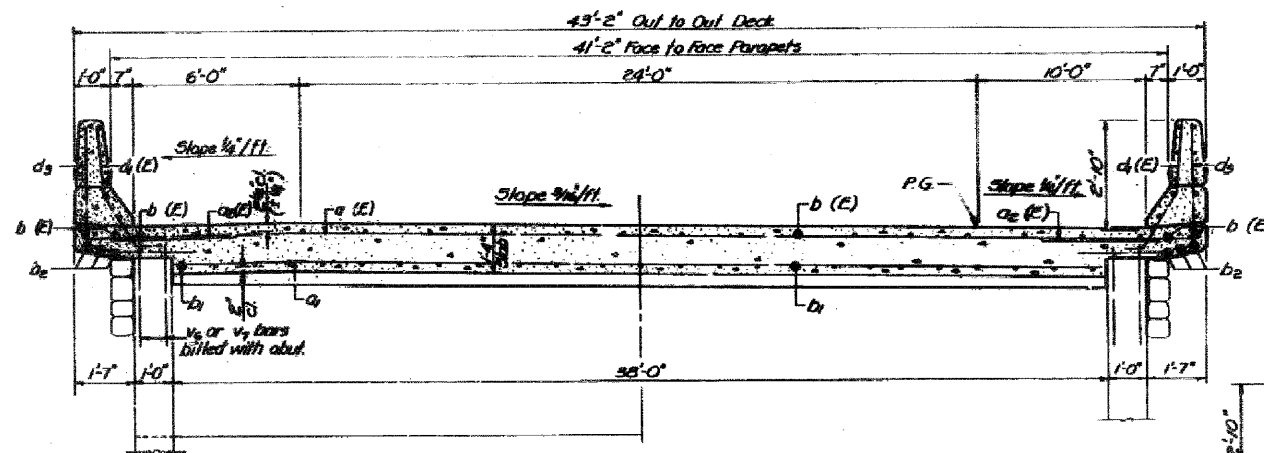


STATE OF ILLINOIS
DEPARTMENT OF TRANSPORTATION

PROJECT NO.	SECTION	COUNTY	TOTAL SHEETS	SHEET NO.
255-82-7HB	St. Clair	83	31	69



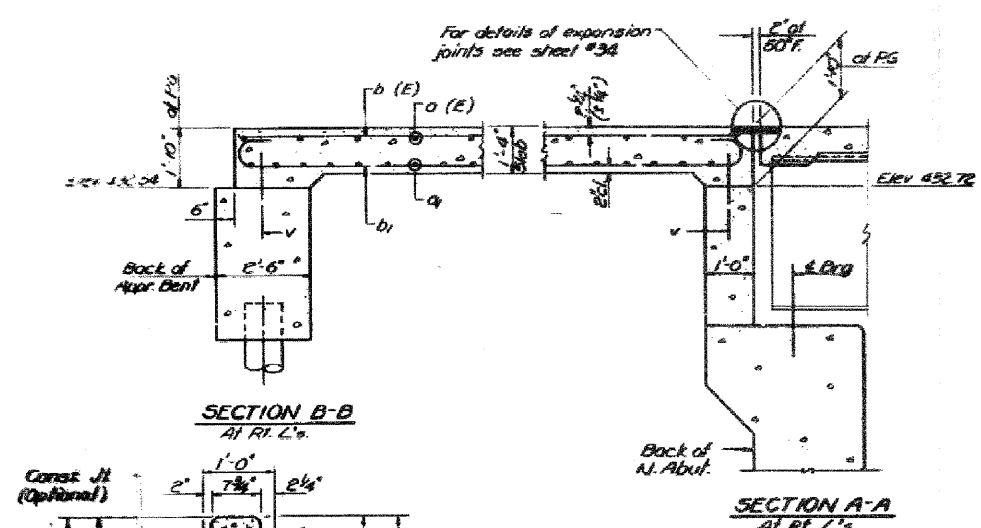
PLAN



GROSS SECTION
At Rt. L's
Looking North

DESIGNED	Rev Brunette
CHECKED	Jim Kowal
DRAWN	S.G. Perchon
CHECKED	J.K.

DATE	May 7 1981
APPROVED	



SECTION B-B
At Rt. L's

SECTION A-A
At Rt. L's

Note: Parapet Class X Concrete and reinforcement are billed with superstructure.

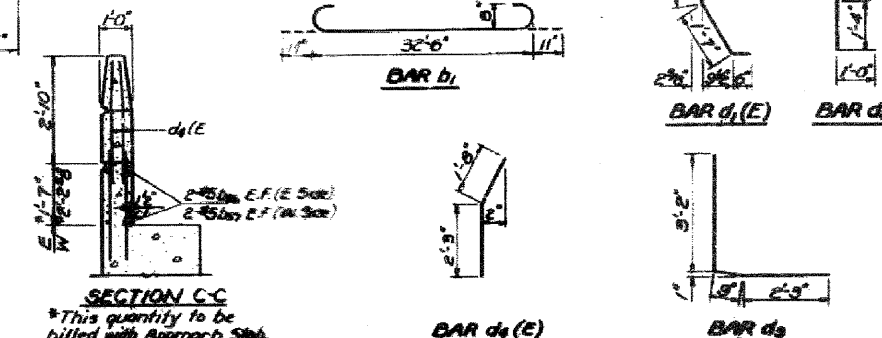
BILL OF MATERIAL

Bar	No.	Size	Length	Shape
d1(E)	27	#5	32'-5"	
d2	45	#8	48'-0"	
d3(E)	54	#6	4'-0"	
b(E)	44	#5	32'-5"	
b1	76	#8	39'-4"	
b2	6	#5	38'-6"	
b3	4	#5	6'-0"	
b4	4	#5	7'-2"	
d4(E)	68	#5	3'-11"	L
d5(E)	6	#5	4'-2"	L
d6	66	#4	6'-2"	L
d6(E)	28	#5	3'-11"	L

Reinforcement Bars Lbs. 13,260
Reinforcement Bars (Epoxy Coated) Lbs. 2710
Class X Concrete Cu.Yds. 70.8

Reinforcement bars designated (E) shall be epoxy coated. See Special Provisions

SECTION THRU PARAPET



SECTION C-C

*This quantity to be billed with Approach Slab.

FOR INFORMATION ONLY