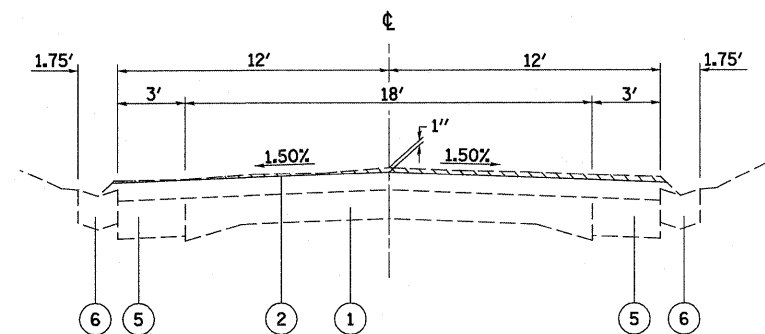


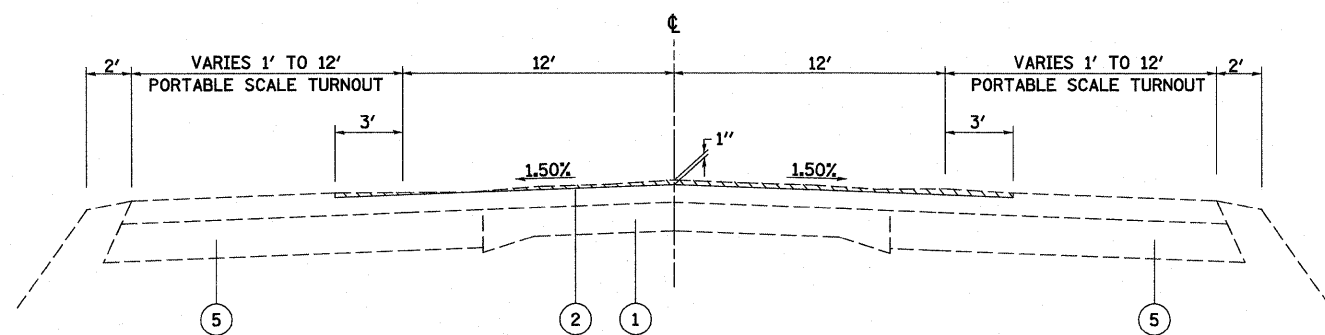
**EXISTING TYPICAL SECTION**

STA 107+55 TO STA 138+52  
 STA 147+18 TO STA 163+20  
 STA 163+20 TO STA 165+72 (LT)  
 STA 165+72 TO STA 208+40  
 STA 208+40 TO STA 210+67 (RT)  
 STA 210+67 TO STA 214+70  
 STA 223+75 TO STA 242+62  
 STA 252+25 TO STA 253+92  
 STA 262+26 TO STA 281+15  
 STA 302+50 TO STA 310+35  
 STA 319+25 TO STA 367+56.50  
 STA 377+07.50 TO STA 415+00.00



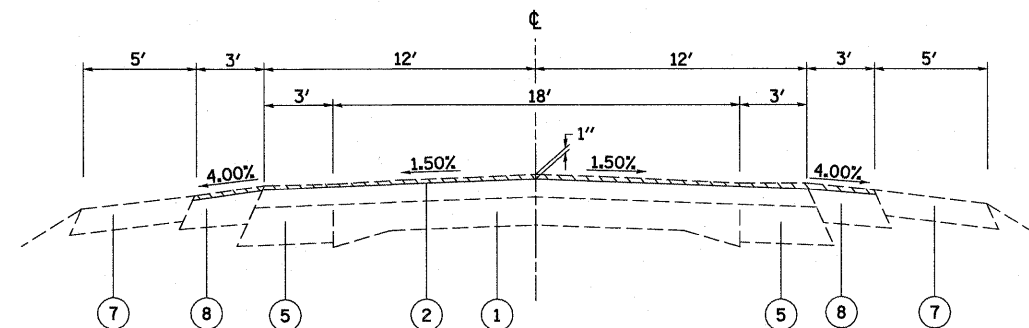
**EXISTING TYPICAL SECTION**

STA 163+20 TO STA 165+72 (RT)  
 STA 208+40 TO STA 210+67 (LT)  
 STA 214+70 TO STA 223+75 (LT/RT)  
 STA 242+62 TO STA 252+25 (LT/RT)  
 STA 253+92 TO STA 262+26 (LT/RT)  
 STA 281+15 TO STA 302+50 (LT/RT)  
 STA 310+35 TO STA 319+25 (LT/RT)



**EXISTING TYPICAL SECTION**

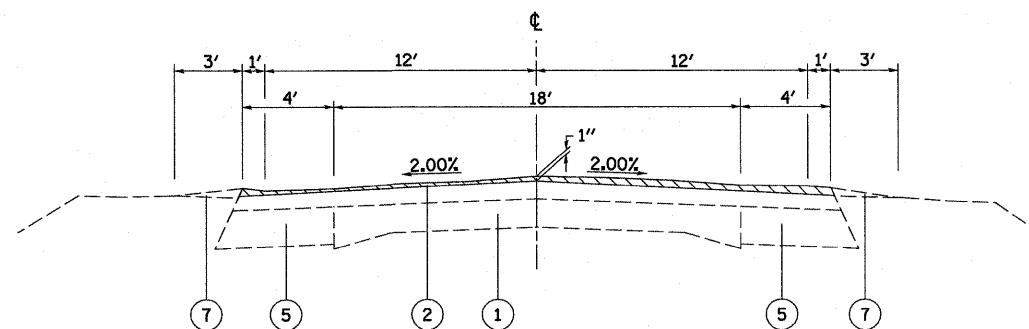
STA 138+52 TO STA 147+18



**EXISTING TYPICAL SECTION**

STA 367+56.50 TO STA 372+07.50  
 STA 373+73.50 TO STA 377+07.50

BRIDGE OMISSION: STA 372+07.50 TO STA 373+73.50



**EXISTING TYPICAL SECTION**

STA 415+00 TO STA 460+06.50

**LEGEND**

- ① EXISTING CONCRETE PAVEMENT
- ② EXISTING HMA RESURFACING
- ③ EXISTING CONCRETE BASE COURSE WIDENING
- ④ EXISTING CONCRETE CURB AND GUTTER
- ⑤ EXISTING HMA BASE COURSE
- ⑥ EXISTING CONCRETE GUTTER
- ⑦ EXISTING AGGREGATE SHOULDER
- ⑧ EXISTING HMA SHOULDER

HOT-MIX ASPHALT SURFACE REMOVAL, VARIABLE DEPTH

NOTE: PAVEMENT CROSS SLOPES INDICATED ON THE EXISTING TYPICAL SECTIONS REFLECT PROPOSED CROSS SLOPES AND ARE INDICATED TO CONTROL HOT-MIX ASPHALT SURFACE REMOVAL OPERATIONS.

FILE NAME =	USER NAME = paul	DESIGNED - ESW	REVISED -	<b>STATE OF ILLINOIS DEPARTMENT OF TRANSPORTATION</b>	<b>EXISTING TYPICAL SECTIONS</b>			F.A.P. RTE.	SECTION	COUNTY	TOTAL SHEETS	SHEET NO.
S:\Projects\409-0028-91Y IL 4 Lebanon 3P\vdgn\CADD	Shelton\087629-eh1-typicals.dgn	DRAWN - PDB	REVISED -					314	010, 111RS-4	MADISON & ST. CLAIR	58	5
	PLOT SCALE = 100.0000' / IN.	CHECKED - BRM	REVISED -		SCALE: SHEET NO. 2 OF 2 SHEETS STA. TO STA.			CONTRACT NO. 76E29				
	PLOT DATE = 2/4/2011	DATE - 11-1-10	REVISED -		FED. ROAD DIST. NO. ILLINOIS FED. AID PROJECT							