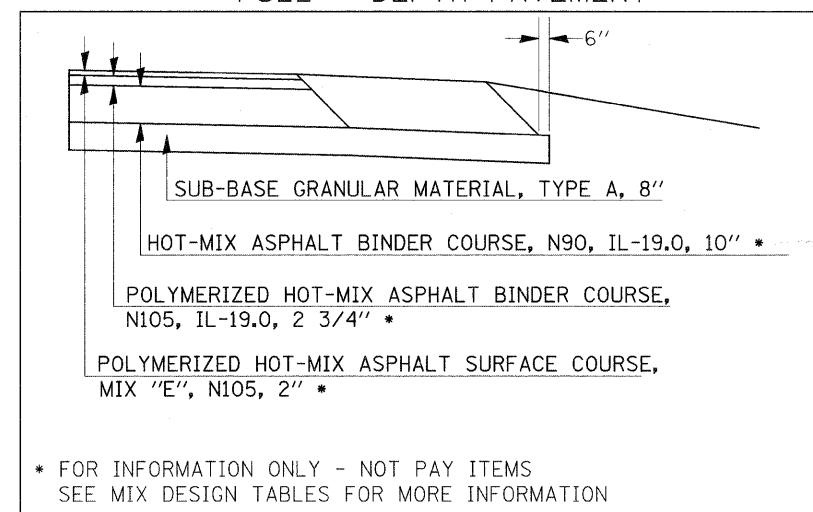
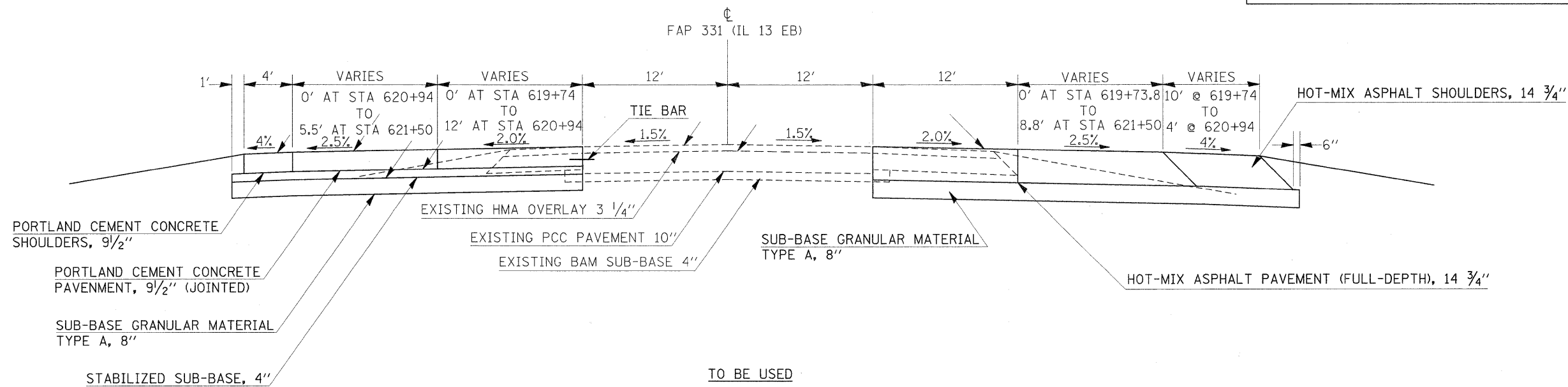


TO BE USED  
STA 587+78 TO STA 619+73.44

PAVING DETAIL  
FULL - DEPTH PAVEMENT



\* FOR INFORMATION ONLY - NOT PAY ITEMS  
SEE MIX DESIGN TABLES FOR MORE INFORMATION



TO BE USED  
STA 619+74 TO STA 621+50

FILE NAME =	USER NAME = knightsm	DESIGNED -	REVISED -	<b>STATE OF ILLINOIS DEPARTMENT OF TRANSPORTATION</b>	<b>TYPICAL SECTIONS IL 13 EASTBOUND</b>			F.A.P. RTE. 331	SECTION (1-3,1-2IN-1,TS-1	COUNTY WILLIAMSON	TOTAL SHEETS 251	SHEET NO. 8
c:\pw\work\pwwork\knightsm\0135592\78133-shit-typr.dgn		DRAWN -	REVISED -		SCALE:	SHEET NO.	OF	SHEETS	STA.	TO STA.	CONTRACT NO. 78133	
		CHECKED -	REVISED -								ILLINOIS FED. AID PROJECT	
		DATE -	REVISED -									