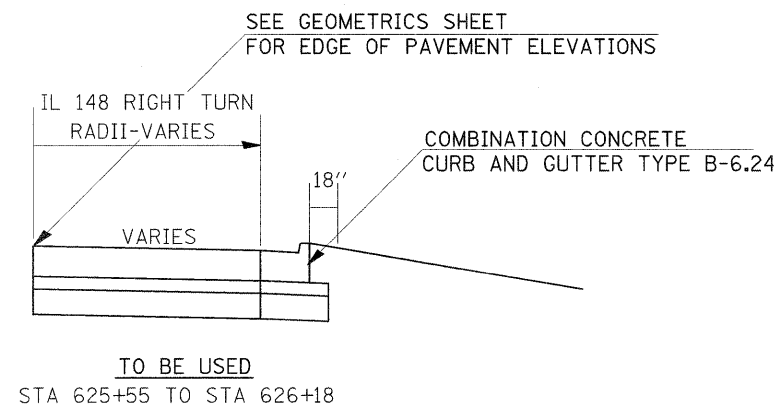
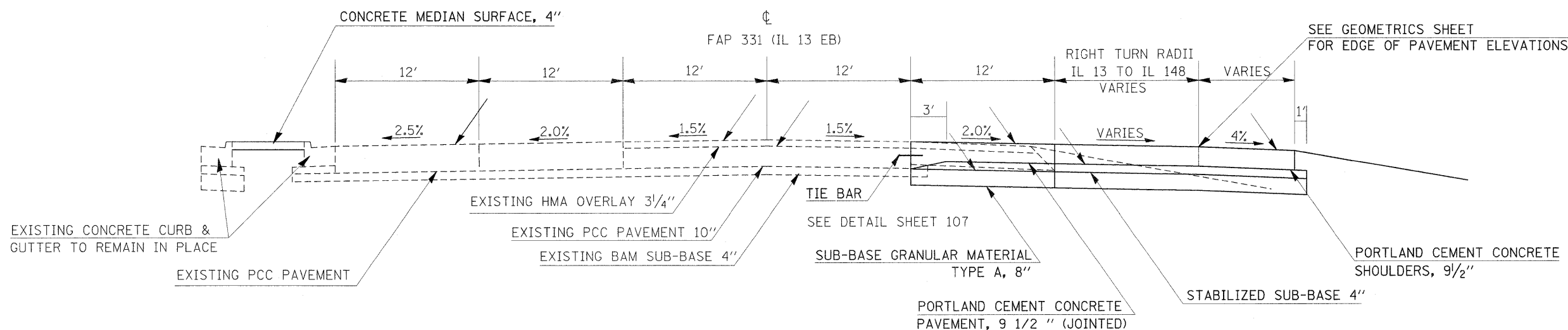


TO BE USED  
STA 623+66 TO STA 625+37.62



TO BE USED  
STA 625+55 TO STA 626+18



TO BE USED  
STA 625+37.62 TO STA 626+18.5

FILE NAME =	USER NAME = knightsm	DESIGNED -	REVISED -	<b>STATE OF ILLINOIS DEPARTMENT OF TRANSPORTATION</b>	<b>TYPICAL SECTIONS IL 13 EASTBOUND</b>			F.A.P. RTE.	SECTION	COUNTY	TOTAL SHEETS	SHEET NO.
c:\pwork\pwork\knightsm\d0135592\7813	sh-t-typl.dgn	DRAWN -	REVISED -					331	(I-3,I-2)N-1,TS-1	WILLIAMSON	251	10
	PLOT SCALE = 4.5000' / IN.	CHECKED -	REVISED -		SCALE: SHEET NO. OF SHEETS STA. TO STA.			CONTRACT NO. 78133				
	PLOT DATE = 1/3/2011	DATE -	REVISED -		ILLINOIS FED. AID PROJECT							