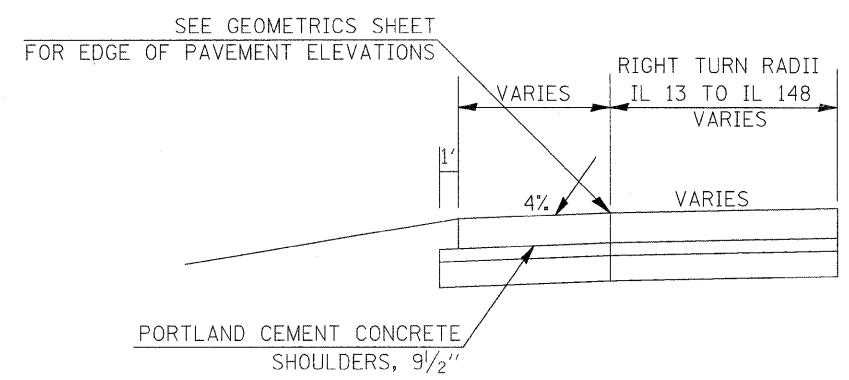
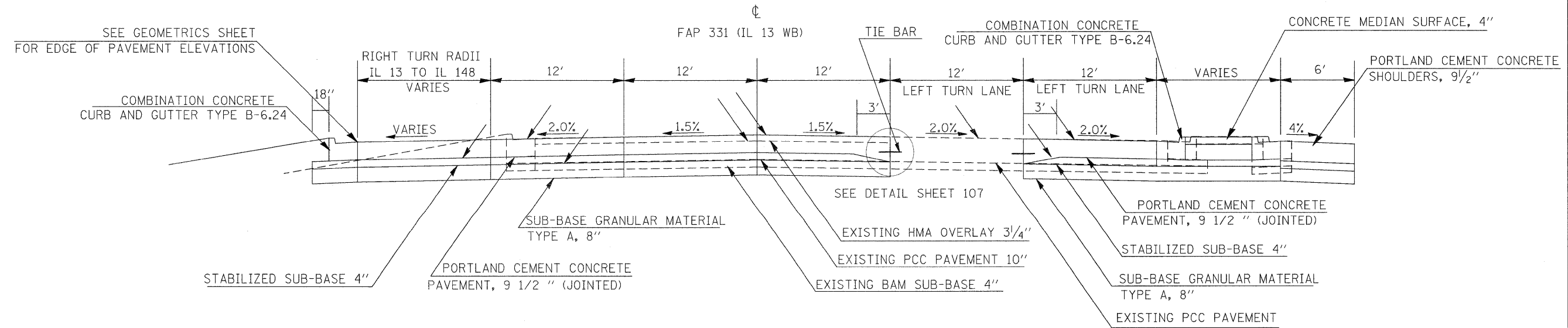


TO BE USED  
STA 627+48.38 TO STA 627+82

\*-VARIES SEE GEOMETRICS SHEET  
FOR PROPOSED SLOPES



TO BE USED  
STA 628+41 TO STA 628+57.8



TO BE USED  
STA 627+82 TO STA 628+57.8

FILE NAME =	USER NAME = knightsm	DESIGNED -	REVISED -	<b>STATE OF ILLINOIS DEPARTMENT OF TRANSPORTATION</b>	<b>TYPICAL SECTIONS IL 13 WESTBOUND</b>			F.A.P. RTE. 331	SECTION (1-3,1-2)N-1,TS-1	COUNTY WILLIAMSON	TOTAL SHEETS 251	SHEET NO. 15
c:\pwork\pwork\knightsm\08135592\78133-sht-typl.dgn		DRAWN -	REVISED -		SCALE:	SHEET NO.	OF	SHEETS	STA.	TO STA.	CONTRACT NO. 78133	
		CHECKED -	REVISED -								ILLINOIS FED. AID PROJECT	
		DATE -	REVISED -									