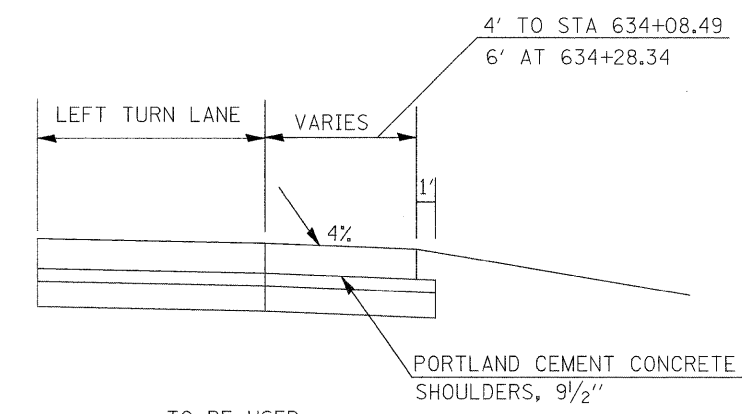
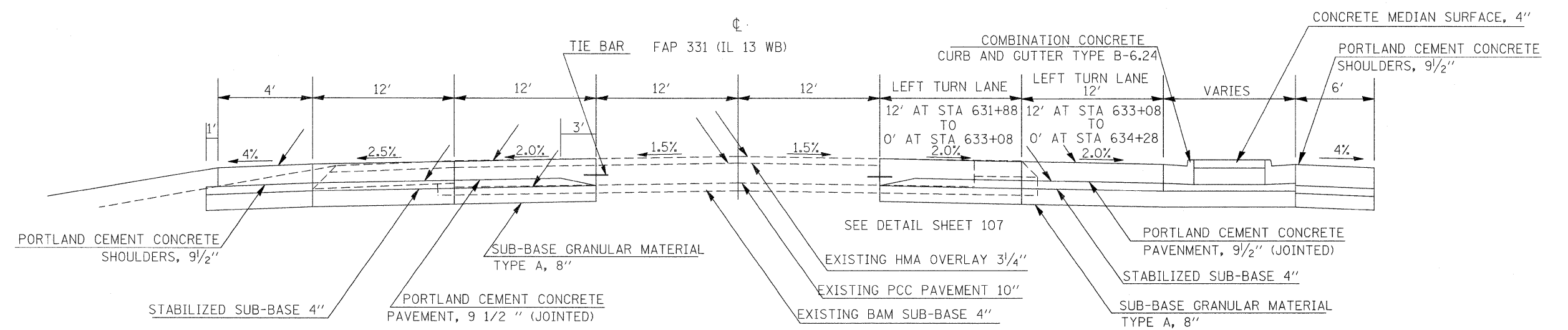


TO BE USED
STA 630+50 TO STA 631+88.28



TO BE USED
STA 632+08 TO STA 634+28



TO BE USED
STA 631+88.28 TO STA 634+28

FILE NAME =	USER NAME = knightsm	DESIGNED -	REVISED -	STATE OF ILLINOIS DEPARTMENT OF TRANSPORTATION	TYPICAL SECTIONS IL 13 WESTBOUND	F.A.P. RTE.	SECTION	COUNTY	TOTAL SHEETS	SHEET NO.	
c:\pwwork\pwwork\knightsm\d0135592\78133-shr-tyr.dgn	DRAWN -	REVISED -	331			(I-3, I-2)N-1, TS-1	WILLIAMSON	251	17		
PLOT SCALE = 4.5000' / IN.	CHECKED -	REVISED -	CONTRACT NO. 78133								
PLOT DATE = 1/3/2011	DATE -	REVISED -	ILLINOIS FED. AID PROJECT								
						SCALE:	SHEET NO.	OF	SHEETS	STA.	TO STA.